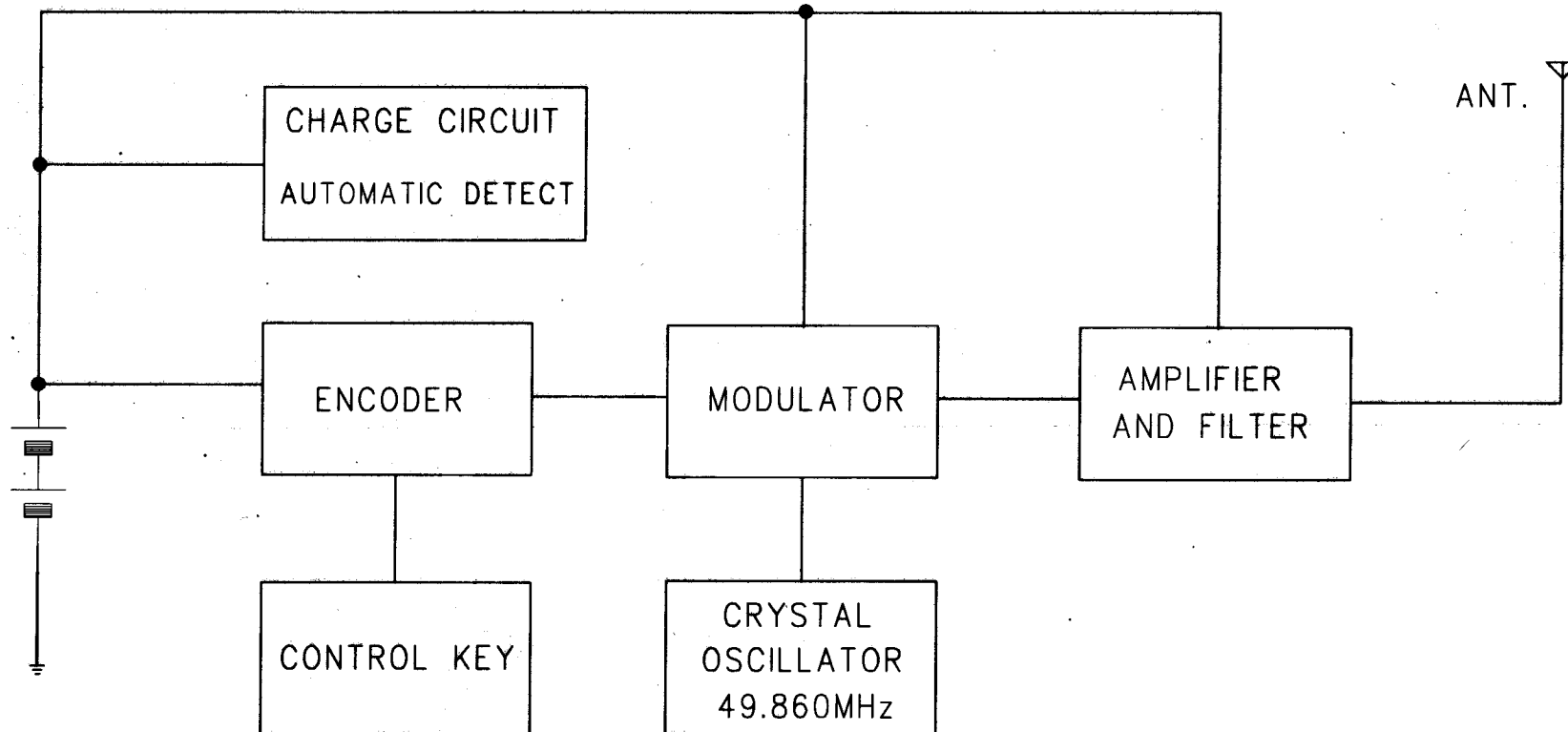


6x1.5V SIZE "AA" BATTERY



NEW BRIGHT INDUSTRIAL CO.,LTD.

TITLE : BLOCK DIAGRAM

MODEL: 820H(SMD)-TX-49    REV: 1    SCALE: NIL

DRAWN : *cp*    DATE: *Feb 8 2010*

DESIGNED :    DATE:

CHECKED :    DATE:

APPROVED :    DATE:

DRAWING No.:    SHEET 1 OF 1

FREQUENCY: 49.860MHz



NEW BRIGHT