

Caution

Do not recharge Battery Pack if it is hot or warm to the touch. Allow Battery Pack to cool before recharging. Recharging a hot or warm Battery Pack will shorten the life of the Pack.

Do not recharge a Battery Pack if it appears to be damaged or leaking.

Always unplug Charger when not in use.

Always remove Battery Pack from Battery Compartment when not in use.

Do not dispose batteries in fire. Leakage, explosion and personal injury may occur.

Dispose of NiCd Battery Pack properly.

Do not attempt to disassemble Battery Pack and Charger.

Do not use Battery Charger for any use other than instructed in this booklet.

Only an adult should charge Batteries.

Do not attempt jumps or tricks with this vehicle.

NOTE: This equipment has been tested and found to comply with the limits for a Class B digital device pursuant to Part 15 of the FCC Rules. These limits are designed to provide reasonable protection against harmful interference in a residential installation. This equipment generates, uses and can radiate radio frequency energy and, if not installed and used in accordance with the instructions, may cause harmful interference to radio communications. However, there is no guarantee that interference will not occur in a particular installation. If this equipment does cause harmful interference to radio or television reception, which can be determined by turning the equipment off and on, the user is encouraged to try to correct the interference by one or more of the following measures:

- Reorient or relocate the receiving antenna.
- Increase the separation between the equipment and receiver.
- Connect the equipment into an outlet on a circuit different from that to which the receiver is connected.
- Consult the dealer or an experienced radio/TV technician for help.

CAUTION-ELECTRICALLY OPERATED PRODUCT.
NOT RECOMMENDED FOR CHILDREN UNDER 8 YEARS OF AGE.
AS WITH ALL ELECTRIC PRODUCTS, PRECAUTIONS SHOULD BE
OBSERVED DURING HANDLING AND USE TO PREVENT ELECTRIC
SHOCK. INPUT: 120V AC 60Hz 6.5W. OUTPUT: 11.6V DC 165mA.



9.6V NiCd **Radio Control**
RECHARGEABLE **Vehicle**

OWNERS MANUAL

Please read and understand all precautions prior to use.

Remove and keep Customer Support
Quick Reference Card.

Thank you for choosing
a premium New Bright product.

We're here to help!

Call us toll free at **1-866-697-2869**
8:00 a.m. - 5:00 p.m. E.S.T. Mon - Fri.

Or visit us on line at www.newbright.com

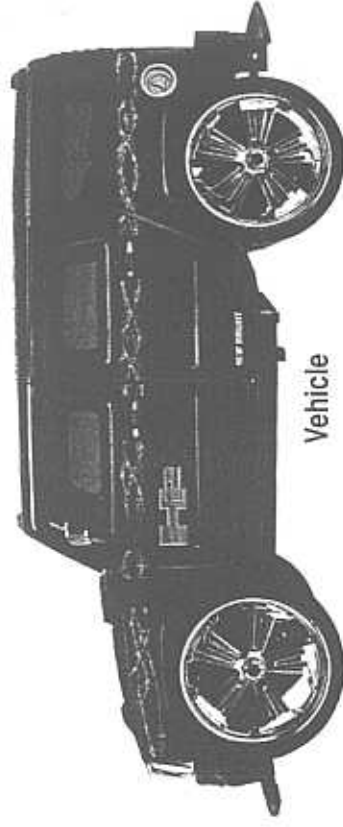
Do not return this toy to the store!
We stand behind our product. If you experience any difficulty assembling,
charging or operating this toy, please call us and let us help.

Table of Contents

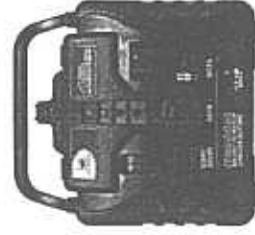
Page 1:	Table of Contents
Page 2:	Component Checklist
Page 3:	Demonstration Wire Removal
Page 4:	Charging the Battery Pack
Page 5:	Battery Pack Installation in Vehicle
Page 6:	Vehicle Features and Functions
Page 7:	Transmitter Battery Installation Transmitter and Vehicle Antenna
Page 8:	Transmitter Features and Functions
Page 9:	Proper Use and Precautions Care
Page 10:	Trouble Shooting and Support
Page 11:	Caution

Component Checklist

To protect components from damage, they may be packed in the styrofoam tray out of plain sight. Please search styrofoam tray and remove all of the components listed below.



Vehicle



4 Band Select
Transmitter



9.6V NiCd
Battery Pack



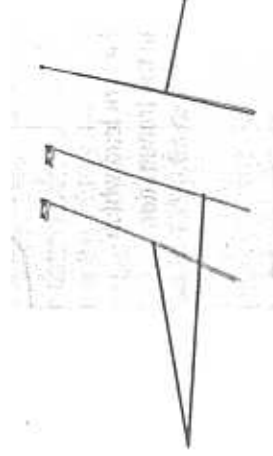
Battery Charger



6 "AA" Batteries
(included in transmitter)

IMPORTANT!

The included 9.6V NiCd battery pack is **NOT** charged prior to shipment and must be charged before the first use.



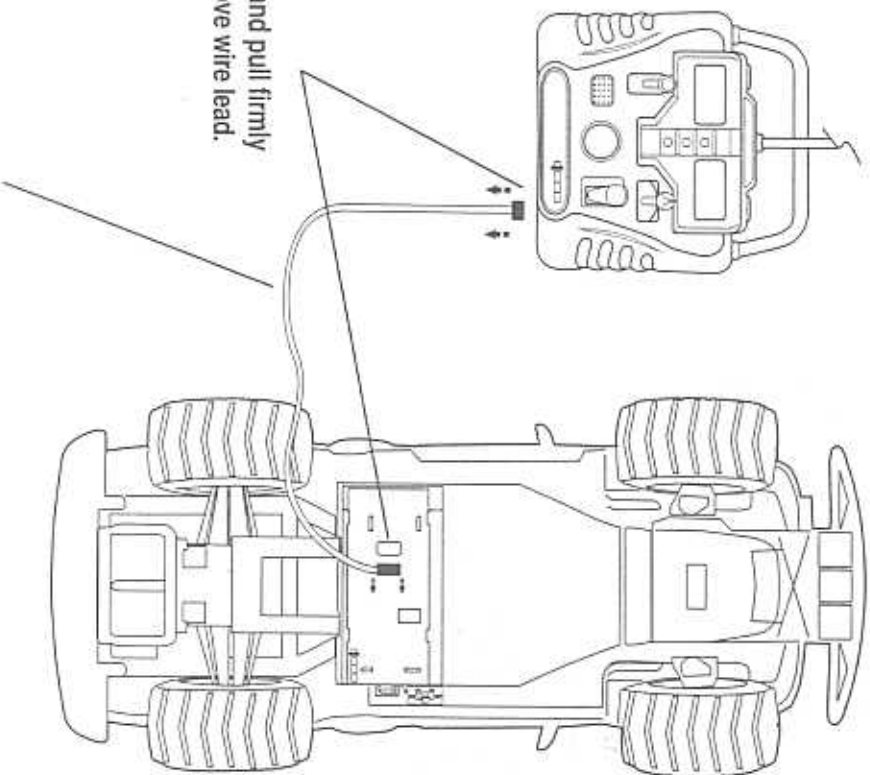
2 Vehicle
Antenna
Tubes

Telescopic
Transmitter Antenna
(located at the back
of transmitter)

Demonstration Wire Removal

3

This vehicle is shipped with a wire lead which runs from the transmitter to the vehicle chassis. The wire lead is for package demonstration only and should be removed and discarded as shown here.



Grasp and pull firmly
to remove wire lead.

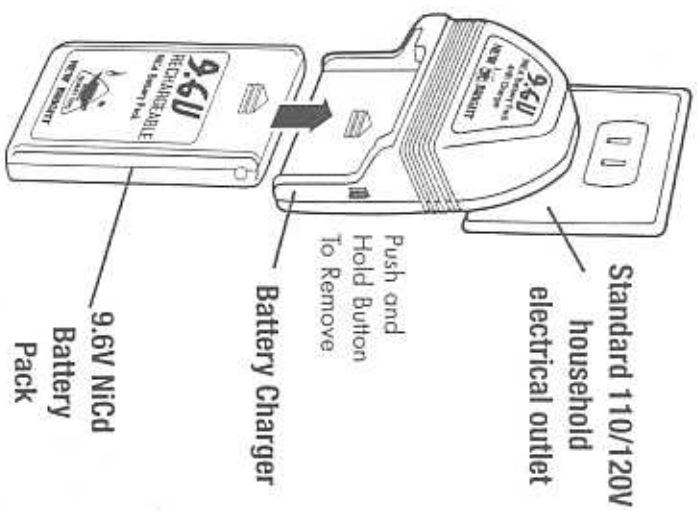
Remove and discard the wire lead which
runs from the vehicle to the transmitter.

Charging the Battery Pack

4

IMPORTANT!

The included 9.6V NiCd battery pack is **NOT** charged prior to shipping and must be charged before the first use. For best results be sure to charge battery pack 8 hours before using. In addition, when charging battery pack for the 2nd time, also charge battery pack for 8 hours. After the initial 2 charges, battery packs need only 4 hours to fully charge.



1. Insert the supplied 9.6V NiCd rechargeable Power Pack securely into the charger. Be sure the (+) and (-) are properly matched.
2. Plug the charger into a standard 110/120V indoor electrical outlet. Allow the pack to charge for a minimum of 8 hours for the first and second charges. Subsequent charges require only four hours.
3. Unplug the charger from the electrical outlet. Push button located on the side of the charger while removing the Power Pack.
4. Charge will last approximately 25 minutes depending on intensity of use and the specific toy.
5. This power unit is intended to be correctly orientated in a vertical or floor mount position.

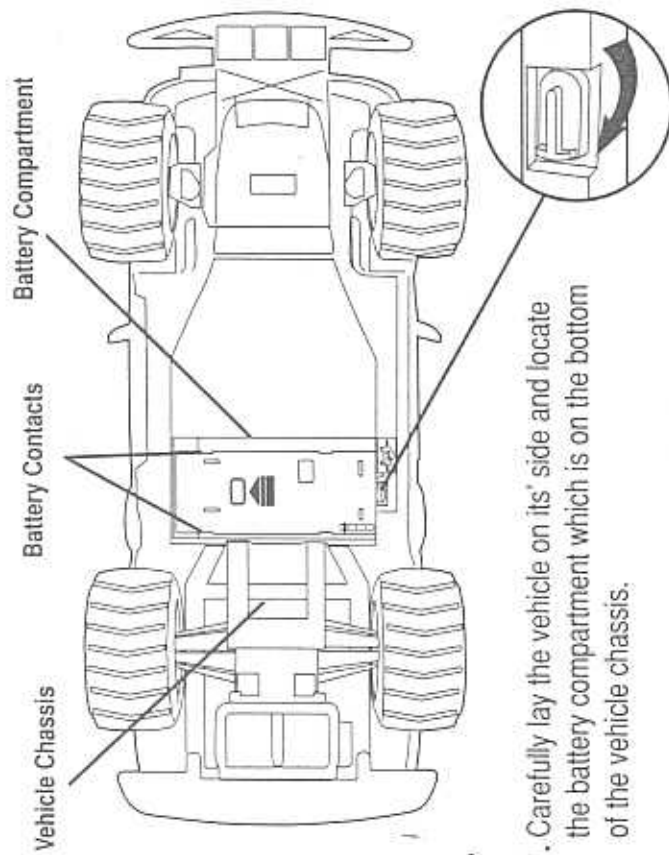
IMPORTANT: It is normal for the battery pack to become warm after charging and/or use. Be sure to allow the battery pack to cool before recharging. Recharging a warm battery pack will greatly reduce the battery life.

Battery pack can be charged up to 1,000 times!

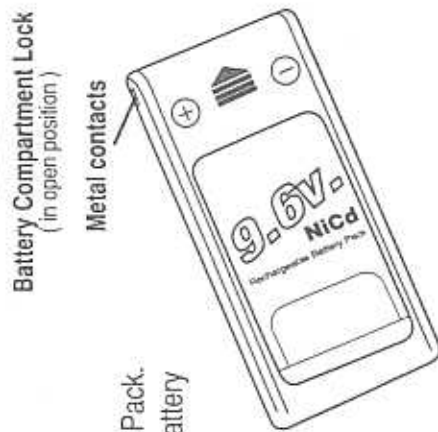
ATTENTION PARENTS:

- The Battery Charger & Battery Pack need to be periodically examined for potential hazards and that any potentially hazardous parts be repaired or replaced.

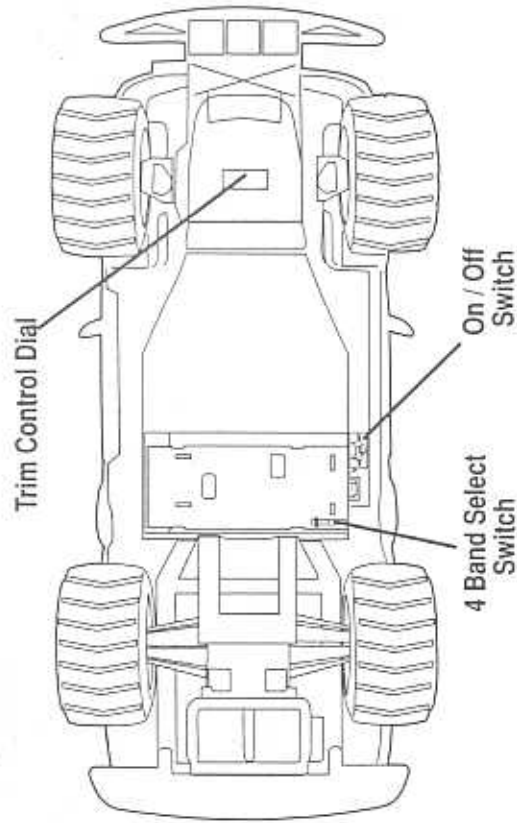
Battery Pack Installation in Vehicle



1. Carefully lay the vehicle on its side and locate the battery compartment which is on the bottom of the vehicle chassis.
2. Rotate the Battery Compartment Lock so it is in the "open" position.
3. Take a moment to examine the Battery Pack. Locate the arrow on the battery. Hold battery with arrow side up.
4. Insert the fully charged 9.6V NiCd Battery Pack into the Battery Compartment so that the Battery Pack arrow is facing the same direction as the arrow inside the Battery Compartment. Place Battery inside Battery Compartment and slide forward in the direction of the arrow.
5. Rotate the Battery Compartment Lock so that it is in the locked position.



Vehicle Features and Functions



The Trim Control Dial is located between the front wheels. If the vehicle begins to pull to the left adjust the trim control towards the "R" marking. If the vehicle pulls to the right while driving adjust the trim control towards the "L" marking.

4 Band Select Switch

The 4 Band Select Switch is located on bottom of chassis. Slide the switch to desired position, making sure it corresponds with the setting on the transmitter. This switch allows up to four different New Bright vehicles to run at the same time!

Working Headlights

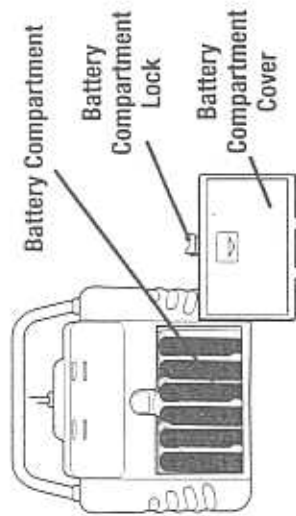
The headlights will turn on when the vehicle is activated to move in forward or reverse.

Transmitter Battery Installation

1. Locate the Battery Compartment which is on the back of the Transmitter.
2. Move the Battery Compartment Lock towards the Battery Compartment and remove the Battery Compartment Cover.
3. Insert 6 "AA" size batteries. Make certain the positive (+) and negative (-) markings on the batteries are in the same position as the positive (+) and negative (-) markings inside the Battery Compartment.
4. Replace Battery Compartment Cover making certain that the Battery Compartment Lock has "snapped" into the locked position.

Note: When replacing Transmitter batteries:

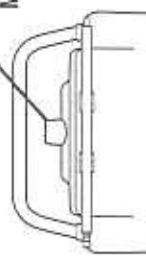
- Do not mix old and new batteries.
- Do not mix alkaline, standard or rechargeable batteries.
- Use alkaline batteries only.



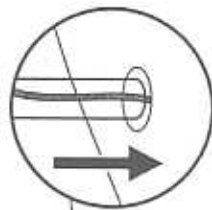
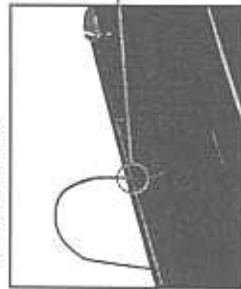
Transmitter and Vehicle Antenna

Locate the transmitter antenna mount on the top of the transmitter. Insert the Telescopic Transmitter Antenna (located at the back of transmitter) into the opening and rotate in a clockwise direction until snug.

Transmitter Antenna Mount



1. Locate the vehicle antenna wire which leads through an opening on the top of the vehicle.
2. Slide the vehicle antenna wire through the Vehicle Antenna Tube. Push tube down into place so that the antenna stands upright.
3. Tie a simple knot in the antenna wire to hold the Vehicle Antenna Tube in place.



Speed Indicator Light

This light will glow when the Transmitter is activated. The transmitter will activate whenever any button is pushed or joystick is moved. The transmitter will automatically shut down when left idle for 10 seconds.

Forward / Reverse
Move this joystick upward for forward drive and downward for reverse. Release for Neutral.

Left / Right Steering
Move this joystick to the left to steer left and right to steer right. Release to drive straight.

Start / Mute
Press this button once for Start and Sound Mode. Press a second time for Mute mode.

Three Speed Shifter
Move Speed Shifter to the "1" position for Slow, "2" position for "Medium" and "3" position for "Fast" speed.

Music
Press this button for music loop.

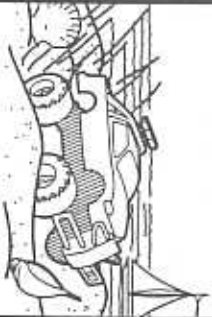
4 Band Select Switch
Slide switch to one of four settings, making sure chosen setting corresponds with setting on vehicle. This switch allows up to four different New Bright vehicles to run at the same time!

Proper Use and Precautions

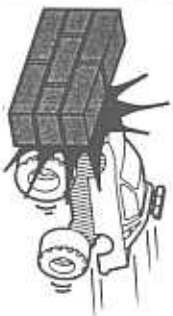
9



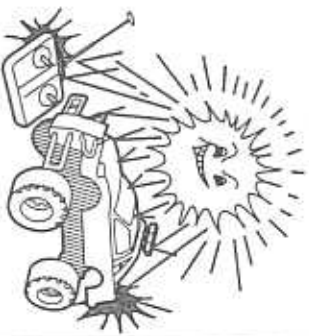
Avoid water puddles, wet grass or rain.



Avoid sand, mud and salt.



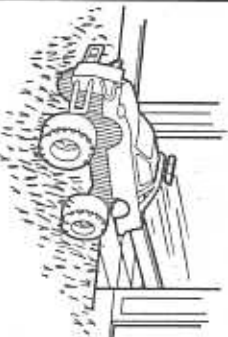
Avoid collisions with hard surfaces.



Do not leave vehicle in direct sunlight for long periods as damage may occur.



Store vehicle in cool dry place and away from direct heat sources.



Avoid running on thick pile carpeting.

FCC CAUTION:

The manufacturer is not responsible for radio interference caused by unauthorized frequency modification to this equipment. Such modifications could void the user's authority to operate the equipment.

Care

Always switch vehicle off when not in use to save battery life.



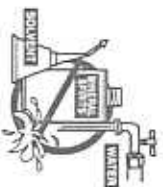
Brush areas where dirt and dust get trapped.



Wipe body with a soft rag or tact cloth.



Do not clean vehicle with chemicals or water.



Trouble Shooting

10

90% of all difficulties experienced with radio controlled vehicles are due to either weak batteries or batteries that have been installed incorrectly. When batteries become weak, the vehicle may not necessarily stop completely but may exhibit slow response, slow speed or erratic behavior.

Problem - Vehicle does not move or moves slowly.

- Make certain there are fresh alkaline batteries in the transmitter and that they have been installed in the correct position.
- Are the (+) and (-) markings on the alkaline batteries in the same position as the (+) and (-) markings in the Transmitter Battery Compartment?
- Has the Battery Pack been installed in the vehicle?
- Has the rechargeable Battery Pack been fully charged?
- Are the (+) and (-) markings on the Battery Pack in the same position as the (+) and (-) markings in the Battery Compartment?
- Are the metal contact tabs touching, rusty or dirty in the transmitter?
- Make certain that the vehicle ON/OFF switch is in the "ON" position.
- Make certain the vehicle's 4 Band Select Switch matches the setting of the 4 Band Select Switch on the Transmitter.

Problem - Vehicle moves by itself or exhibits reduced range from the transmitter.

- Make certain there is no outside radio interference in your area. The best way to test this is to take the vehicle as far away from radio towers, electrical lines or tall buildings as possible to ensure no further radio interference will occur.
- Make certain that the transmitter antenna is securely attached to the transmitter.

Support

Do not return this toy to the store!

We stand behind our product. If you experience any difficulty assembling, charging or operating this toy, please call us and let us help.

We're here to help!

Call us toll free at **1-866-697-2869**

8:00 am - 5:00 pm EST Mon - Fri

Or visit us on line at www.newbright.com