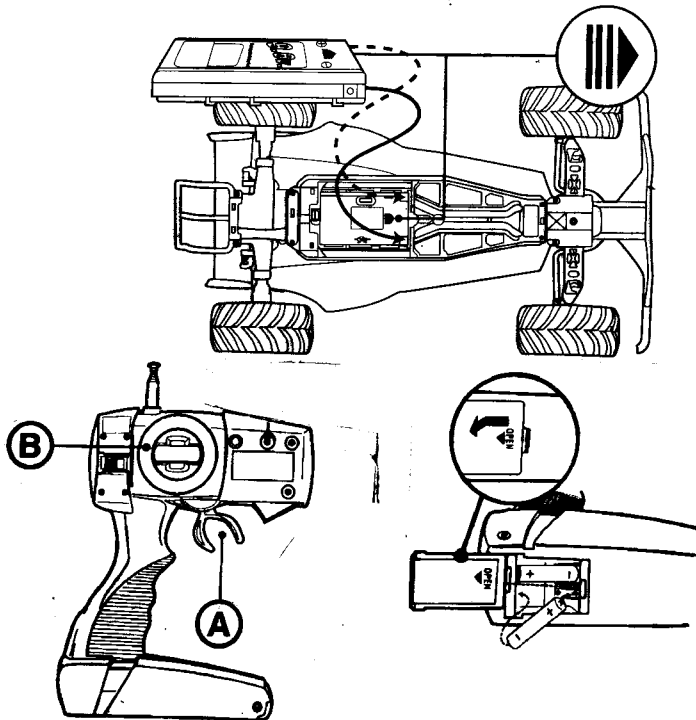


RADIO CONTROL • RADIO COMMANDE • FERNBEDIENUNG • COMANDO RADIO
MANDO DE RADIO • CONTROLO POR RÁDIO • RADIOGRAFISCH BESTUURBAAR
KONTROLA RADIOWA • RADIÓVÁ KONTROLA • RÁDYO KONTROLLÜ
ΣΥΣΤΗΜΑ ΤΗΛΕΚΑΤΕΥΘΥΝΣΗΣ • RIADENÉ RÁDIOM • RÁDÍÓVEZÉRLÉS • РАДИО УПРАВЛЕНИЕ



REF51663102

L732104690/JN163-13

Features - Operated by the controller:

- Move Left joystick up to move the vehicle FORWARD.
- Move Left joystick down to move the vehicle in REVERSE.
- Move Right joystick left or right to move vehicle LEFT or RIGHT.
- Indicator light works when in use.

Batteries/Recharging Unit (Included):

Transmitter - 2 "AA" batteries
 Vehicle - One 9.6V rechargeable NiMH Battery Pack and Recharging Unit

Battery Pack and Charger Operation:

Please refer to the attached instruction sheet for the 9.6V NiMH Battery Pack and Charger.

The Controller:

Insert 2 "AA" batteries in the battery compartment at the back of the controller. Be sure the (+) and (-) are properly matched.

The Vehicle:

Straighten antenna and insert it into the supplied plastic tube. Slide supplied NiMH Battery into battery compartment following the direction of the arrow and lock into place by turning the compartment lock. Turn the ON/OFF switch (located on bottom of vehicle near battery compartment) to the ON position. The vehicle is now ready for use.

Steering Trim:

Adjust the steering trim located underneath the vehicle between the front wheels.

Removing the Body Shell:

1. Locate and remove the pins that secure the body shell to the frame.
2. Lift off the body shell to expose the frame.

Notes:

1. Operate the vehicle within 80-100 feet (25-30 meters) range.
2. Switch off the toy when not in use.
3. Remove all batteries when not in use long periods.
4. If the vehicle is not function properly, replace batteries and recharge the NiMH battery pack.
5. Adult supervision recommended.
6. Please remove all packaging attachments before giving this toy to your child.
7. Do not insert the antenna wire into electrical socket outlets.

The reception performance may be affected under a strong interference disturbance environment.

This product would not perform normally under a strong electrostatic environment.

We wish you many happy hours of pleasure with your New Bright toy.

NOTE: This equipment has been tested and found to comply with the limits for a Class B digital device, pursuant to Part 15 of the FCC Rules. These limits are designed to provide reasonable protection against harmful interference in a residential installation. This equipment generates, uses and can radiate radio frequency energy and, if not installed and used in accordance with the instructions, may cause harmful interference to radio communications. However, there is no guarantee that interference will not occur in a particular installation. If this equipment does cause harmful interference to radio or television reception, which can be determined by turning the equipment off and on, the user is encouraged to try to correct the interference by one or more of the following measures:

- Reorient or relocate the receiving antenna.
- Increase the separation between the equipment and receiver.
- Connect the equipment into an outlet on a circuit different from that to which the receiver is connected.
- Consult the dealer or an experienced radio/TV technician for help.

FCC CAUTION:

Changes or modifications not expressly approved by the party responsible for compliance could void the user's authority to operate the equipment.

