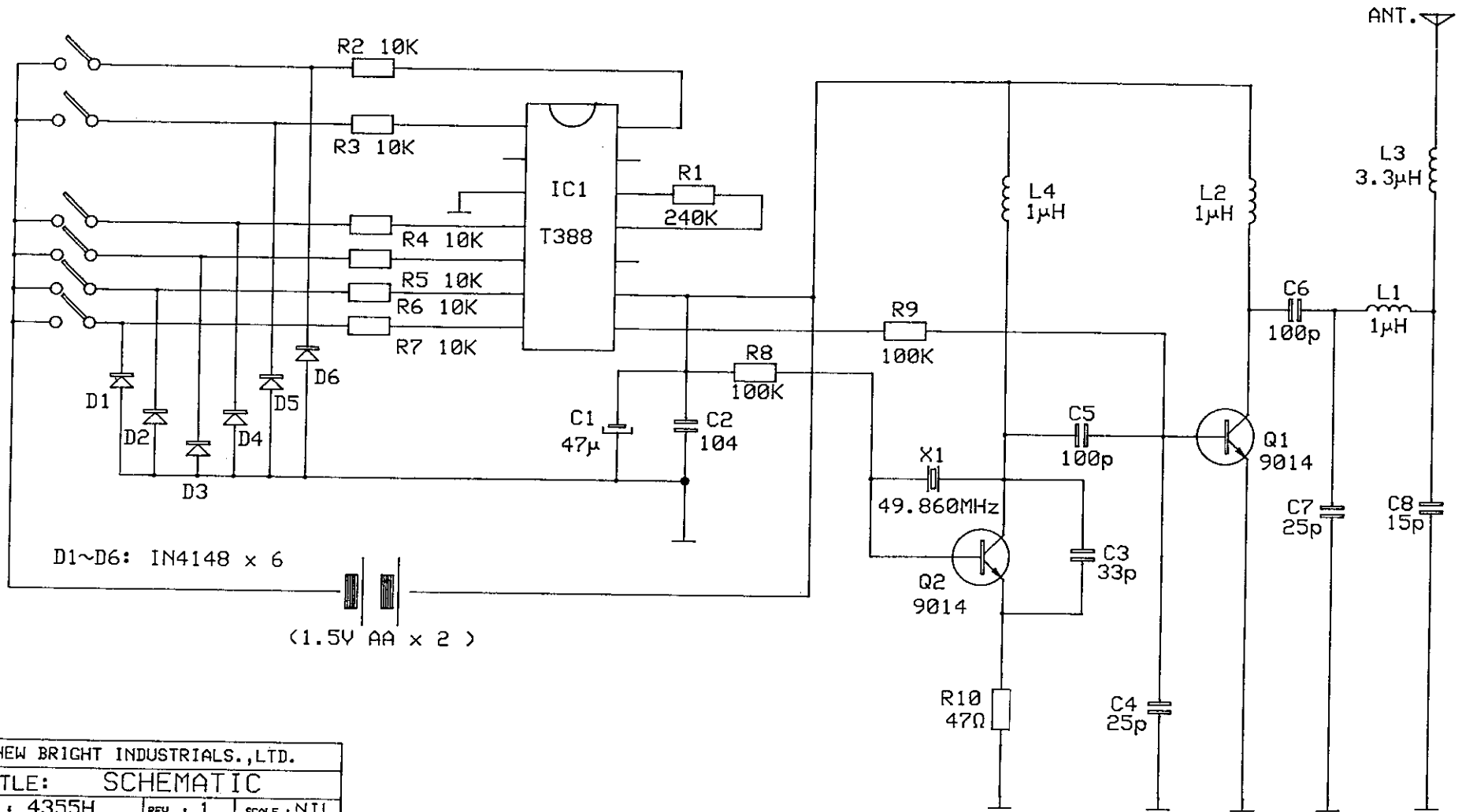


FCC ID: G6D4355H



D1~D6: IN4148 x 6

(1.5V AA x 2)

FREQUENCY : 49.860MHz

NEW BRIGHT INDUSTRIALS.,LTD.		
TITLE: SCHEMATIC		
MODEL : 4355H	REV. : 1	SCALE : NIL
DRAWN : D.G.WANG	DATE : 25 MAR 2000	
DESIGNED : D.G.WANG	DATE : 25 MAR 2000	
CHECKED :	DATE :	
APPROVED :	DATE :	
DRAWING NO. :		
REMARK : PIT	SHEET 1 OF 1	