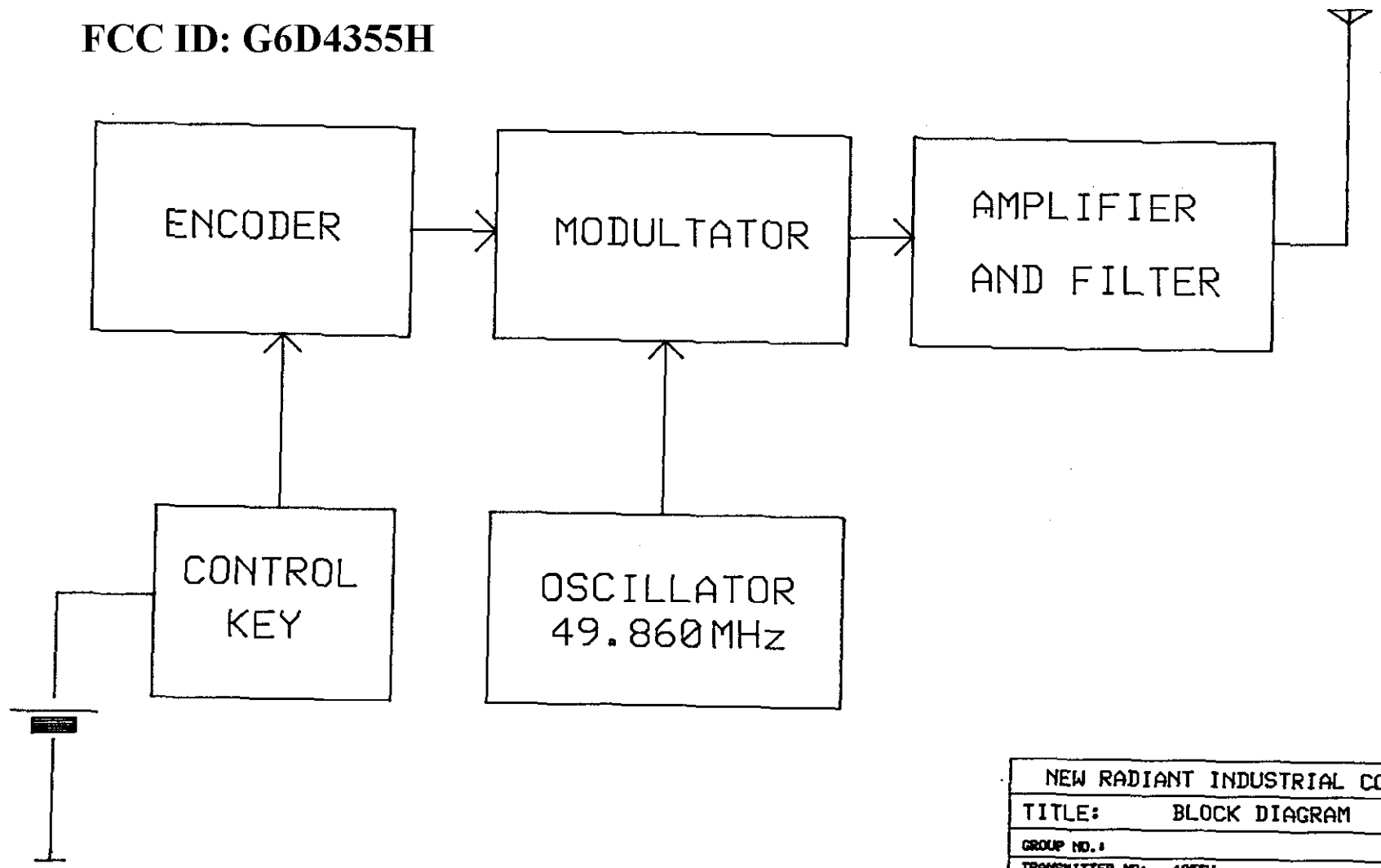


FCC ID: G6D4355H



NEW RADIANT INDUSTRIAL CO., LTD.		
TITLE: BLOCK DIAGRAM		
GROUP NO.:		
TRANSMITTER NO: 4355H		
DRAWING NO:		
FREQUENCY: 49.860 MHz		
DRAWN: GONGSHU LI	DATE: 29-3-2008	
DESIGNED:	DATE:	
REMARK: APPLY FCC		SHEET 1 OF 1