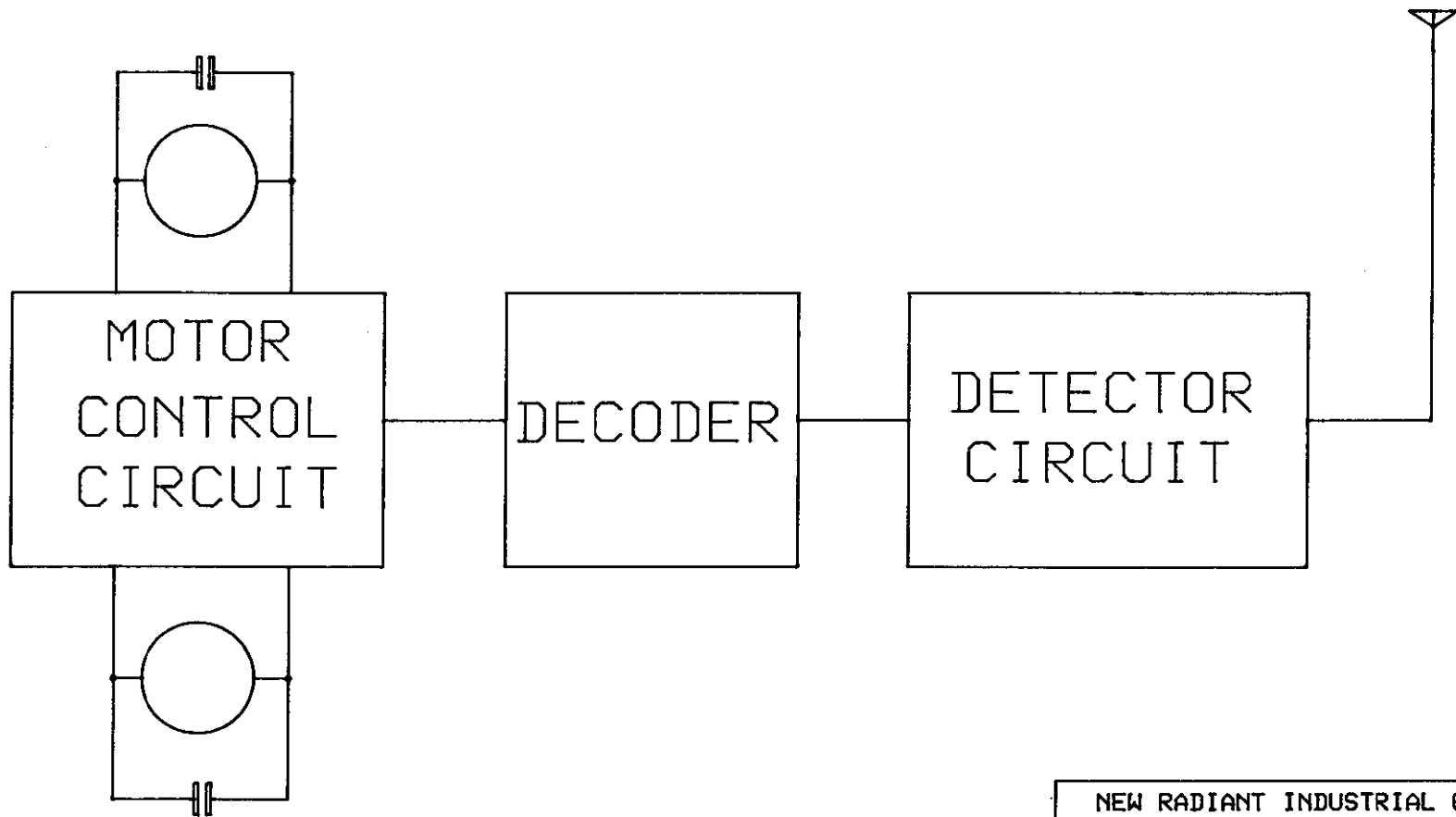


FCC ID: G6D4355A



NEW RADIANT INDUSTRIAL CO., LTD.	
TITLE: BLOCK DIAGRAM	
GROUP NO. :	
RECEIVER NO: 4355A	
DRAWING NO:	
FREQUENCY: 49.860 MHz	
DRAWN: GONGSHU LI	DATE: 29-3-2008
DESIGNED:	DATE:
REMARK :	SHEET 1 OF 1