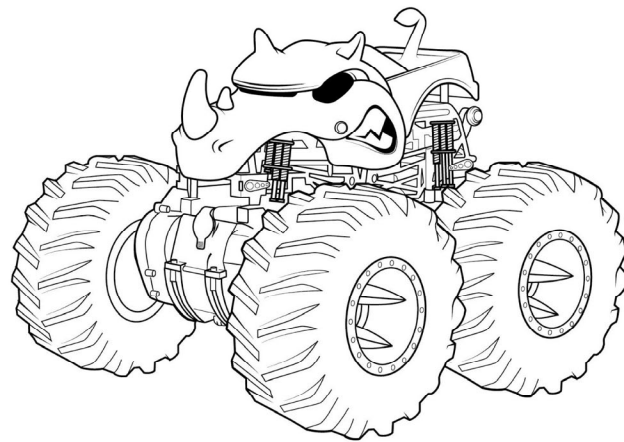
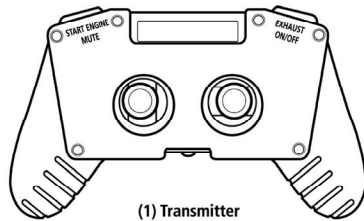


CONTENTS

Component Checklist



(1) R/C Rhinomite



(1) Transmitter



(2) "AA" Batteries

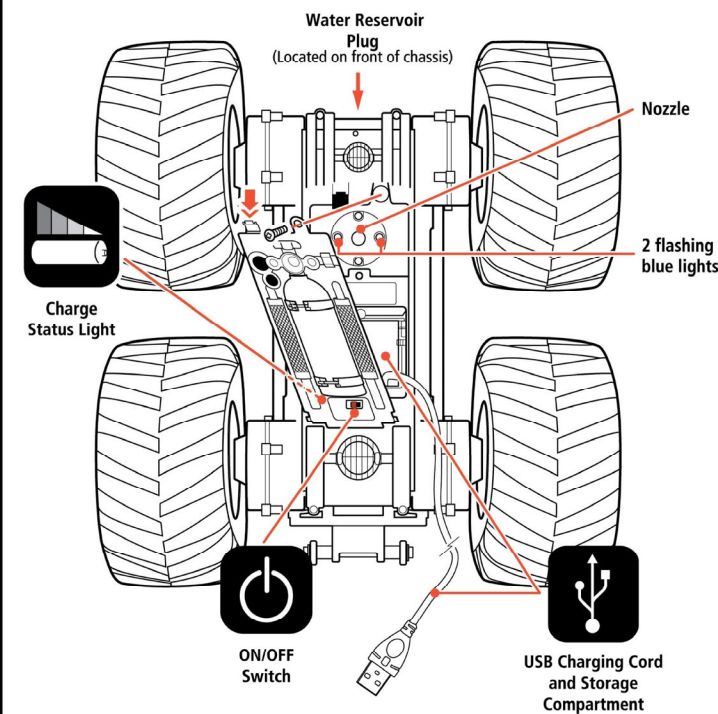
1

VEHICLE

Vehicle Features

The ON/OFF Switch controls the main power to the vehicle. To save battery life, always remember to put switch in the OFF position when not in use.

USB Cord Storage Compartment Cover
To open USB Cord Storage Compartment, first use a screwdriver to remove the small screw. Then, push down on the locking tab. Never drive vehicle while the cover is removed.



Note: Vehicle has working lights.
- When vehicle is powered ON, eyes will glow and flashing.
- When vehicle is in motion the eyes will glow.
- When vehicle stops, eyes will glow and flashing.

2

BATTERY

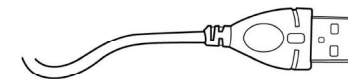
USB Smart Charge Technology

This product is equipped with USB Smart Charge Technology. The built-in "smart chip" can recognize the power output level of your chosen USB charging device. Charge times will vary between charging devices. Charging from a wall outlet with a USB adapter may be faster than charging from a USB port on a computer. Using Advanced USB Power Delivery, the smart chip will charge the vehicle's internal battery at the fastest speed allowed by your charging device.

Charging the Vehicle

This vehicle is equipped with an internal Lithium-Ion battery that is recharged via USB. **ON/OFF Switch must be in the OFF position prior to charging.**

1. Locate the ON/OFF switch and USB cord on the under-side of the vehicle.
2. Turn the ON/OFF switch to the "OFF" position.
3. Slide open Storage Compartment cover.
4. Remove USB cable from the Storage Compartment. (Use care when extending cord as it is attached to inside internal battery). Cord can be plugged into any computer or USB outlet adapter (not included).



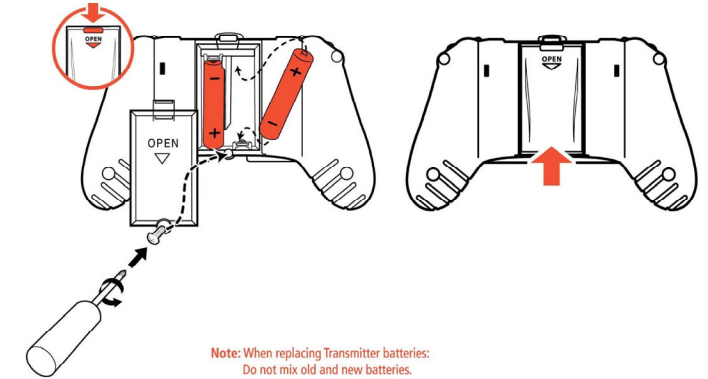
5. While charging, the LED under the vehicle will be on. Once fully charged the LED will turn off. Charging is completed in approximately 2 hours depending on the type of charging device you use. Return cord and secure storage lid before operating the vehicle.

3

TRANSMITTER

Battery Installation

1. Remove the screw to open the Battery Compartment Cover. Pull back on the tab and slide in the direction indicated by the arrow.
2. Insert 2 "AA" size batteries. Make sure the positive (+) and negative (-) markings on the batteries match up to the ones inside the Battery Compartment.
3. Replace the Battery Compartment Cover and replace the screw.



Syncing

This transmitter is equipped with 2.4GHz technology which allows up to 6 vehicles to be used at the same time.

To sync transmitter and vehicle, follow these steps:

1. Install batteries in Transmitter.
2. Turn on Vehicle.

Once the batteries are installed and the vehicle is turned on, the Transmitter will sync automatically with the vehicle.

4