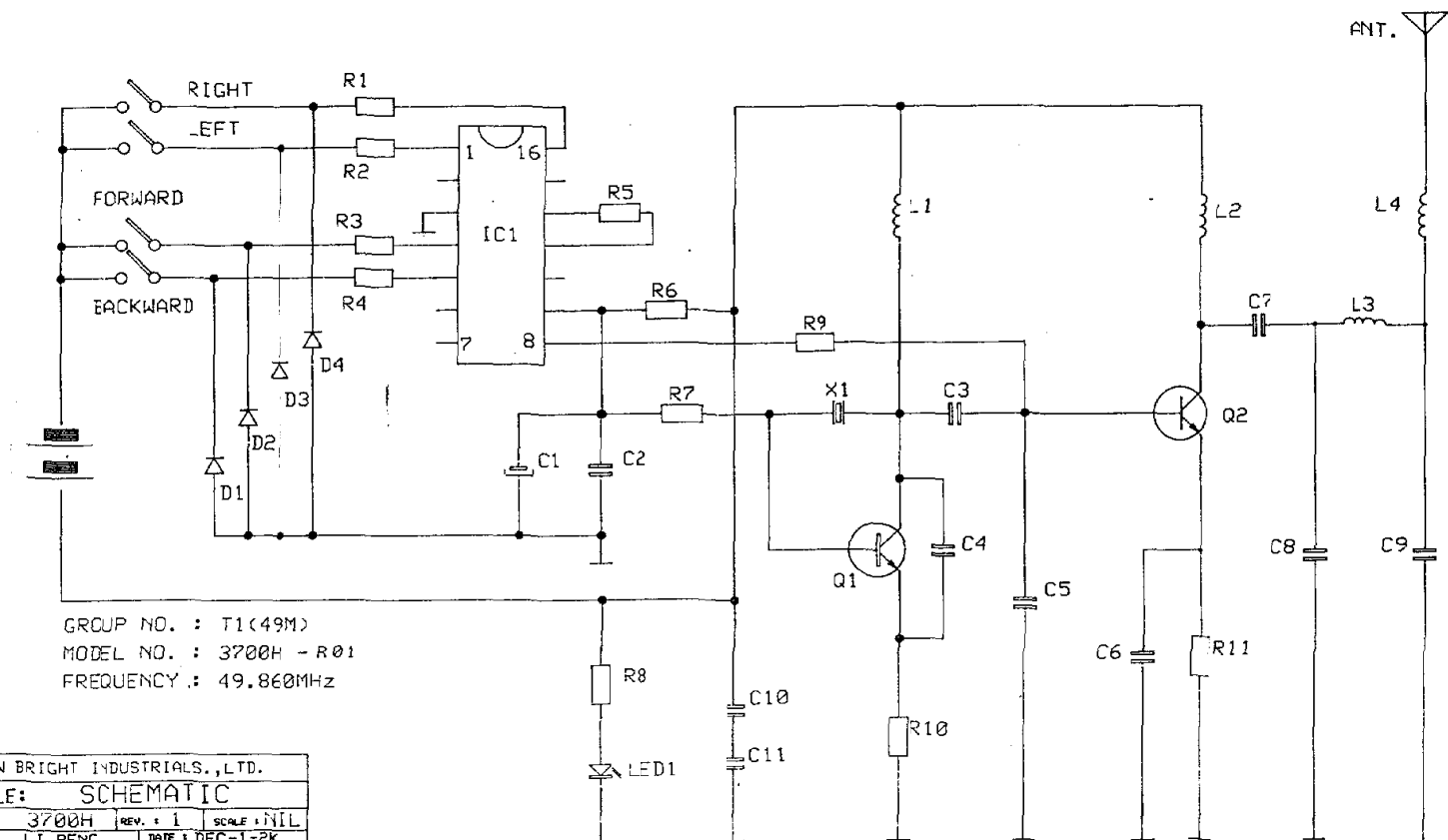


FCC ID: G6D3700H-R01



GROUP NO. : T1(49M)
 MODEL NO. : 3700H - R01
 FREQUENCY : 49.860MHZ

NEW BRIGHT INDUSTRIALS.,LTD.		
TITLE: SCHEMATIC		
MODEL : 3700H	REV. : 1	SCALE : NIL
DRAWN : LI PENG	DATE : DEC-1-2K	
DESIGNED : H. W. WONG	DATE : 12-1-2000	
CHECKED :	DATE :	
APPROVED :	DATE :	
DRAWING NO. :		
REMARK : APPLY PIT-Y2K	SHEET 1 OF 1	