



香港標準及檢定中心
The Hong Kong Standards and Testing Centre Ltd
Date: November 7, 1998

FCC ID: G6D3644A

EXPOSITORY STATEMENT

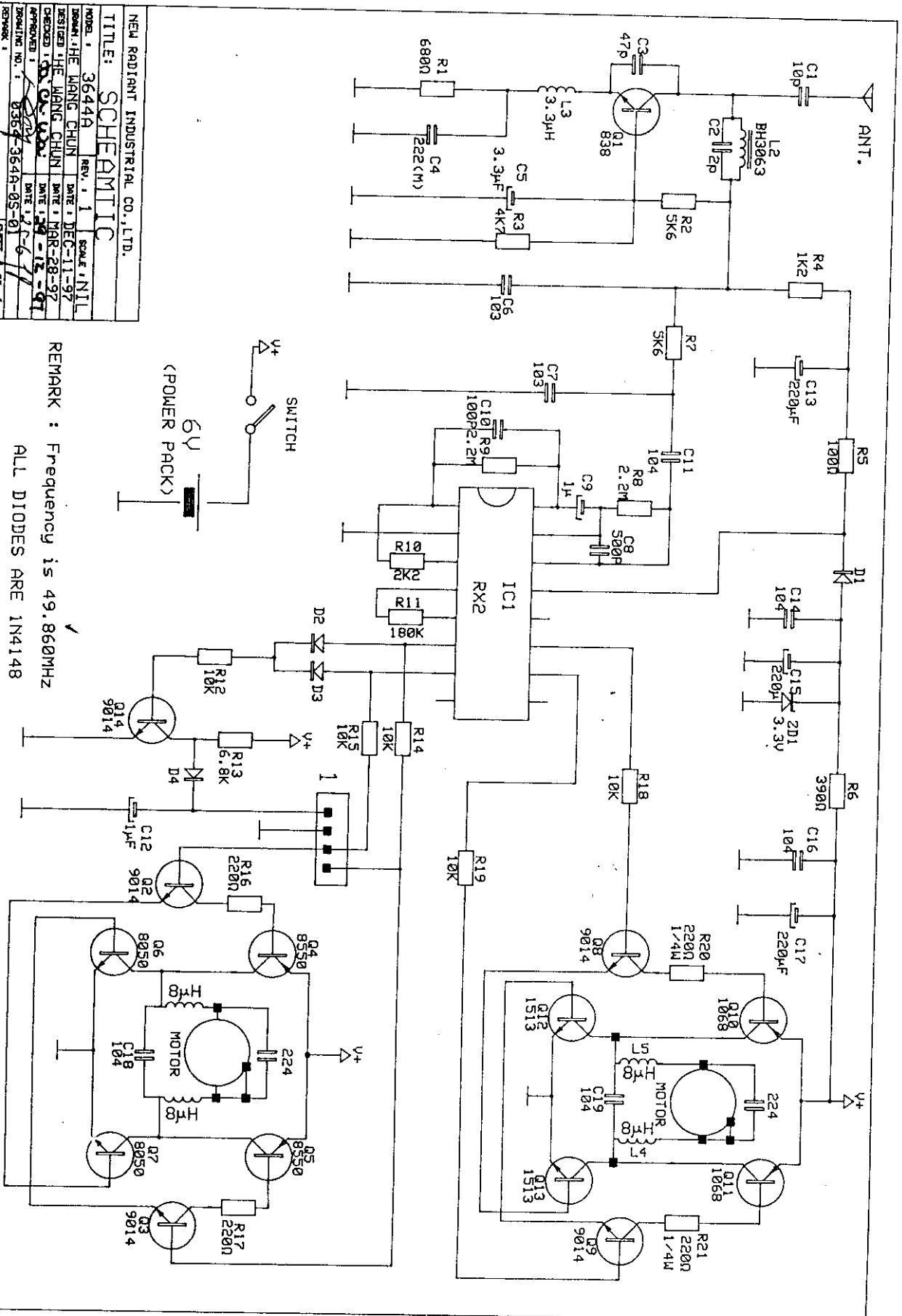
=====

This device under application is a Low Power Communication Device Receiver operation within the band 49.82 - 49.90 MHz as the carrier frequency for the Radio communication.

For details of the construction of the Device, please refer to the following documents submitted by the Applicant:

- 1) Circuit Diagram
- 2) Block Diagram
- 3) PCB Layout
- 4) Parts List

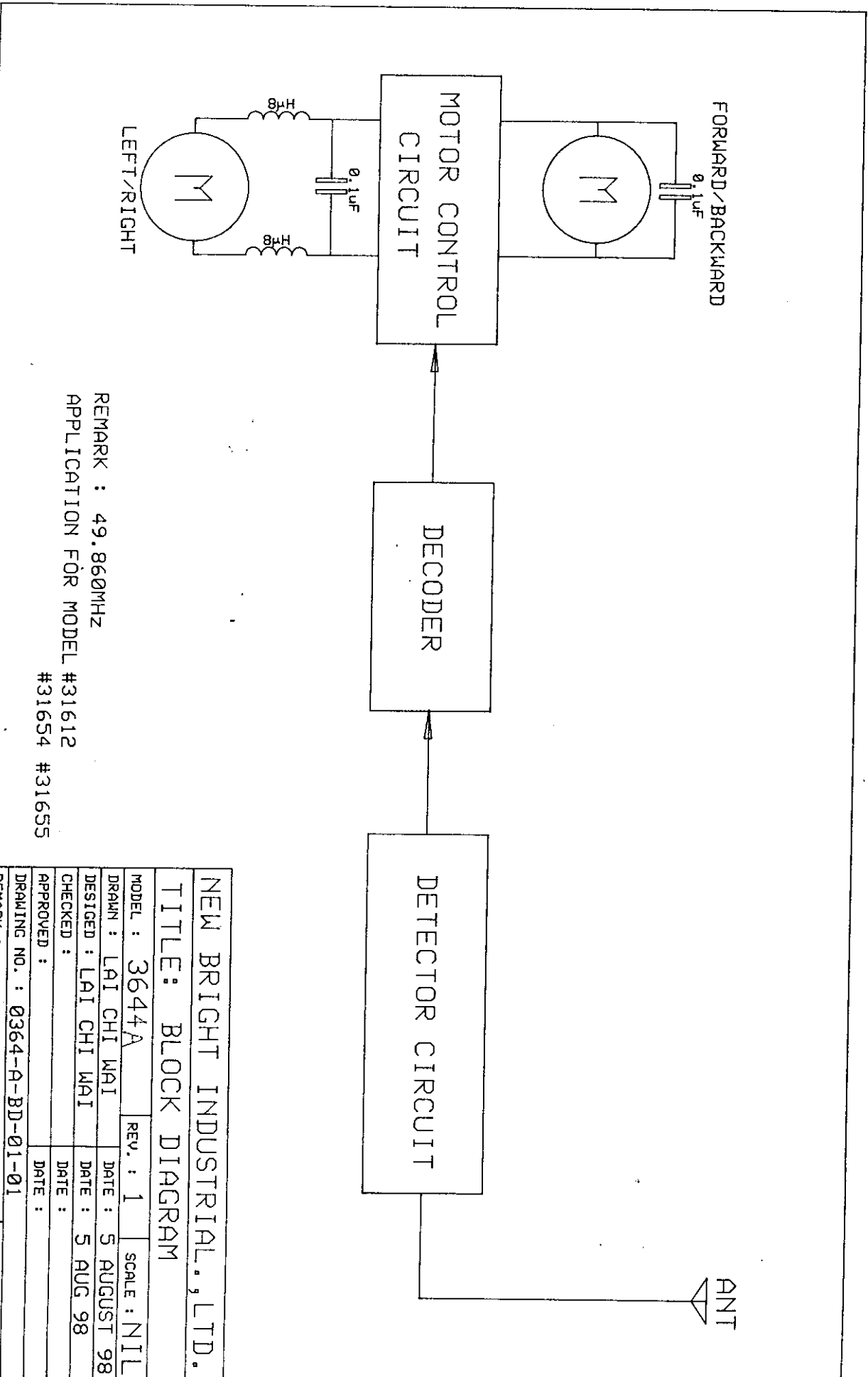




NEW RADIRINT INDUSTRIAL CO., LTD.
 TITLE: SCHEMATIC
 MODEL: 3644A REV. 1 SCALE: NIL
 DRAWN: THE WANG CHUN DATE: DEC-11-97
 CHECKED: THE WANG CHUN DATE: MAR-28-97
 APPROVED: [Signature] DATE: 1-20-97
 DRAWING NO.: 0364-364A-05-01
 SHEET 1 OF 1

REMARK: Frequency is 49.860MHZ
 ALL DIODES ARE 1N4148

ORIGINAL



REMARK : 49.860MHZ
APPLICATION FOR MODEL #31612
#31654 #31655

NEW BRIGHT INDUSTRIAL., LTD.	
TITLE: BLOCK DIAGRAM	
MODEL : 3644A	REV. : 1
DRAWN : LAI CHI WAI	DATE : 5 AUGUST 98
DESIGNED : LAI CHI WAI	DATE : 5 AUG 98
CHECKED :	DATE :
APPROVED :	DATE :
DRAWING NO. : 0364-A-BD-01-01	
REMARK : <i>Apply FCC</i>	SHEET 1 OF 1

NEW BRIGHT INDUSTRIAL CO., LTD.

ELECTRONIC PART PARTS LIST.

MODEL : 3644A RECEIVER (49M)

APPLICATION FOR : #31612 #31654 #31655

TRANSISTOR

Q 1 - 838	Q 6 - 8050	Q11 - 1068
Q 2 - 9014	Q 7 - 8050	Q12 - 1513
Q 3 - 9014	Q 8 - 9014	Q13 - 1513
Q 4 - 8550	Q 9 - 9014	Q14 - 9014
Q 5 - 8550	Q10 - 1068	

RESISTOR

R 1 - 680Ω	R 9 - 2M2	R17 - 220Ω
R 2 - 5K6	R10 - 2K2	R18 - 10K
R 3 - 4K7	R11 - 180K	R19 - 10K
R 4 - 1K2	R12 - 10K	R20 - 220Ω
R 5 - 100Ω	R13 - 6K8	R21 - 220Ω
R 6 - 390Ω	R14 - 10K	
R 7 - 5K6	R15 - 10K	
R 8 - 2M2	R16 - 220Ω	

CAPACITOR

C 1 - 10p	C 9 - 1μ	C17 - 220μ
C 2 - 2p	C10 - 100p	C18 - 104
C 3 - 47p	C11 - 104	C19 - 104
C 4 - 222(M)	C12 - 1μ	
C 5 - 3.3μ	C13 - 220μ	
C 6 - 103	C14 - 104	
C 7 - 103	C15 - 220μ	
C 8 - 500p	C16 - 104	

DIODE

D 1 - IN4148	D 3 - IN4148
D 2 - IN4148	D 4 - IN4148

INDUCTOR

L 2 - BH3063	L 3 - 3.3μH
--------------	-------------

ZENER DIODE

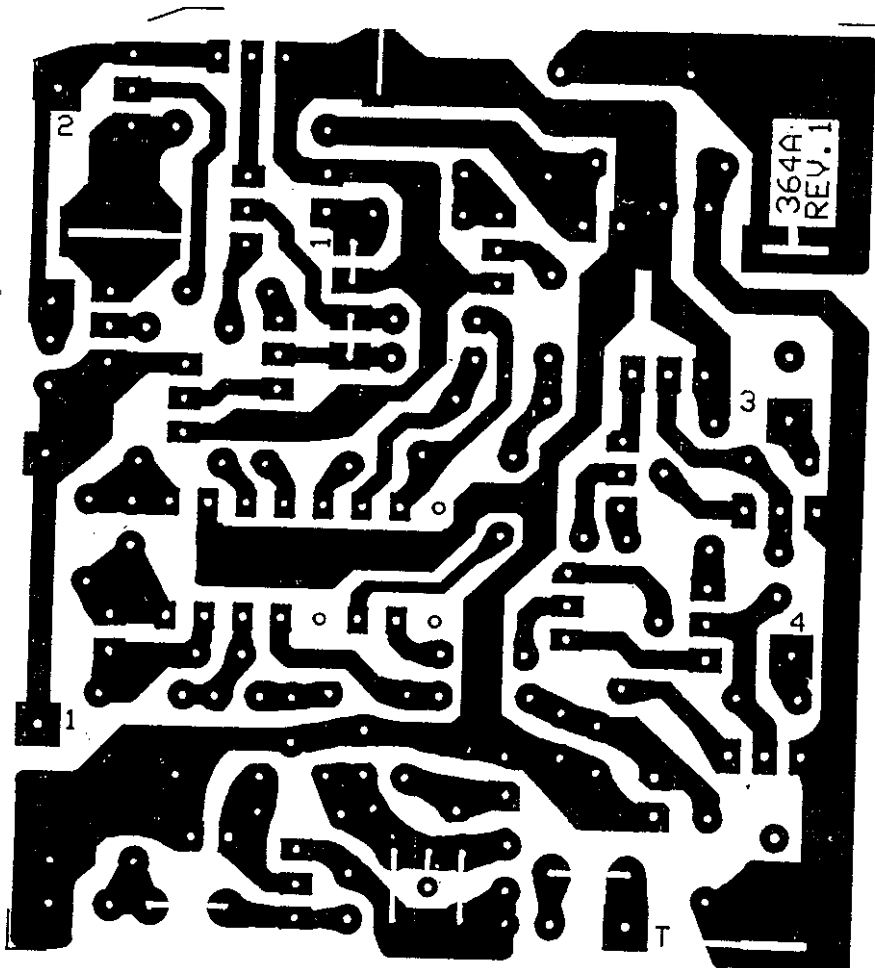
ZD 1 - 3V3

I.C.

IC1 - RX2

***** REMARK *****

(R) RESISTOR	1/4 W	+ - 5%
(C) CERAMIC (>470P)	50 WV	+80% -20%
(C) CERAMIC (<470P)	50 WV	+10%
(E) ELECTROLYSIS		+20%



NEW BRIGHT INDUSTRIAL., LTD
MODEL : 364A REV.1
SCALE : 2:1
DRAWN : HE WANG CHUN
DATE : DEC-9-97

MODEL : # 3644A.