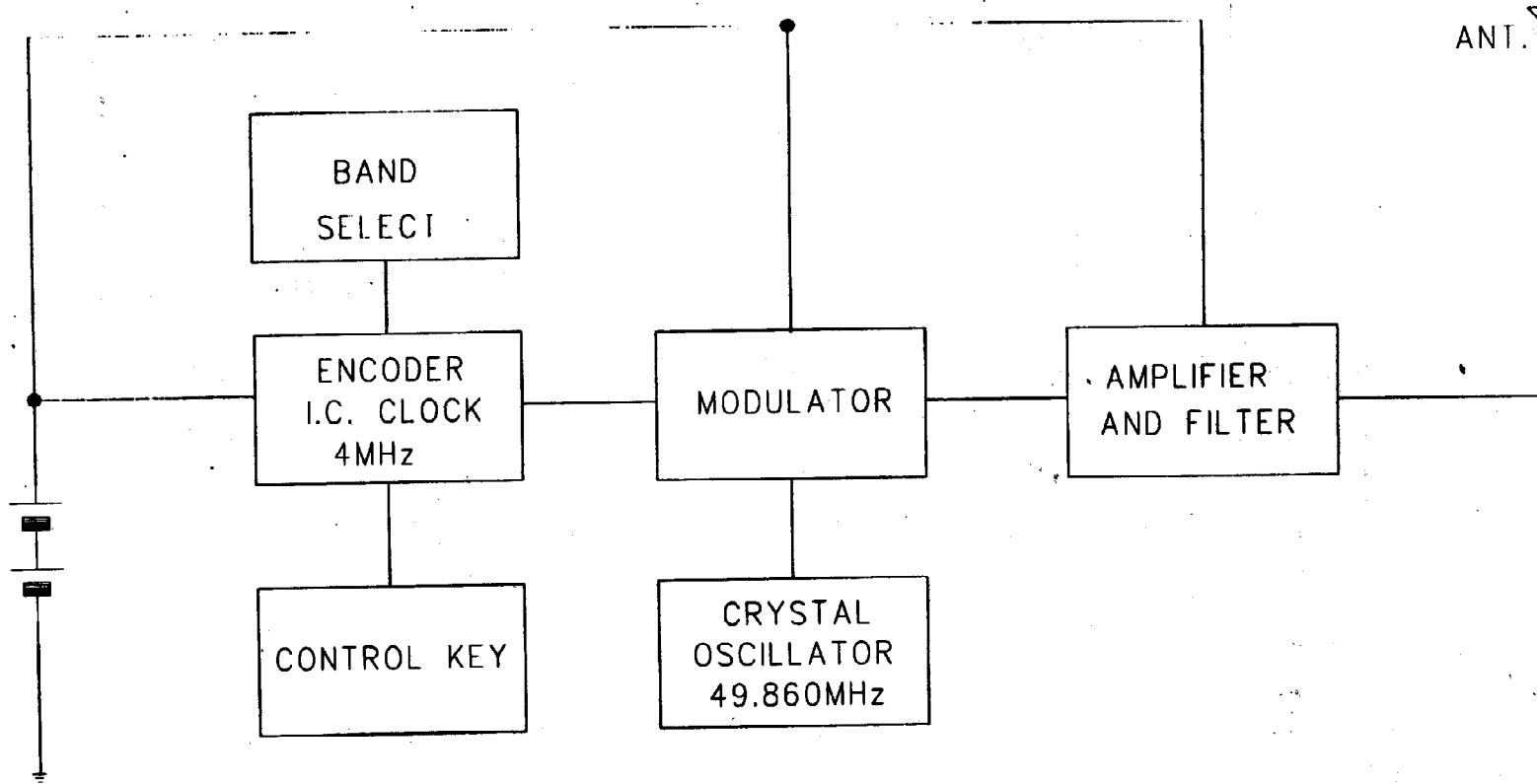


2x1.5V SIZE "AA" BATTERY



NEW BRIGHT INDUSTRIAL CO.,LTD.		
TITLE BLOCK DIAGRAM		
MODEL: 1083HKW(SMD)(4B)-TX-49	REV: 1	SCALE:NIL
DRAWN :	DATE:	
SIGNED :	DATE:	
CHECKED : <i>da. ca. ab</i>	DATE: 3 JUL 2009	
APPROVED :	DATE:	
DRAWING No.:		
MARK : For 1083HKW(SMD)(4B) PCB. SHEET 1 OF 1		

FREQUENCY: 49.860MHz