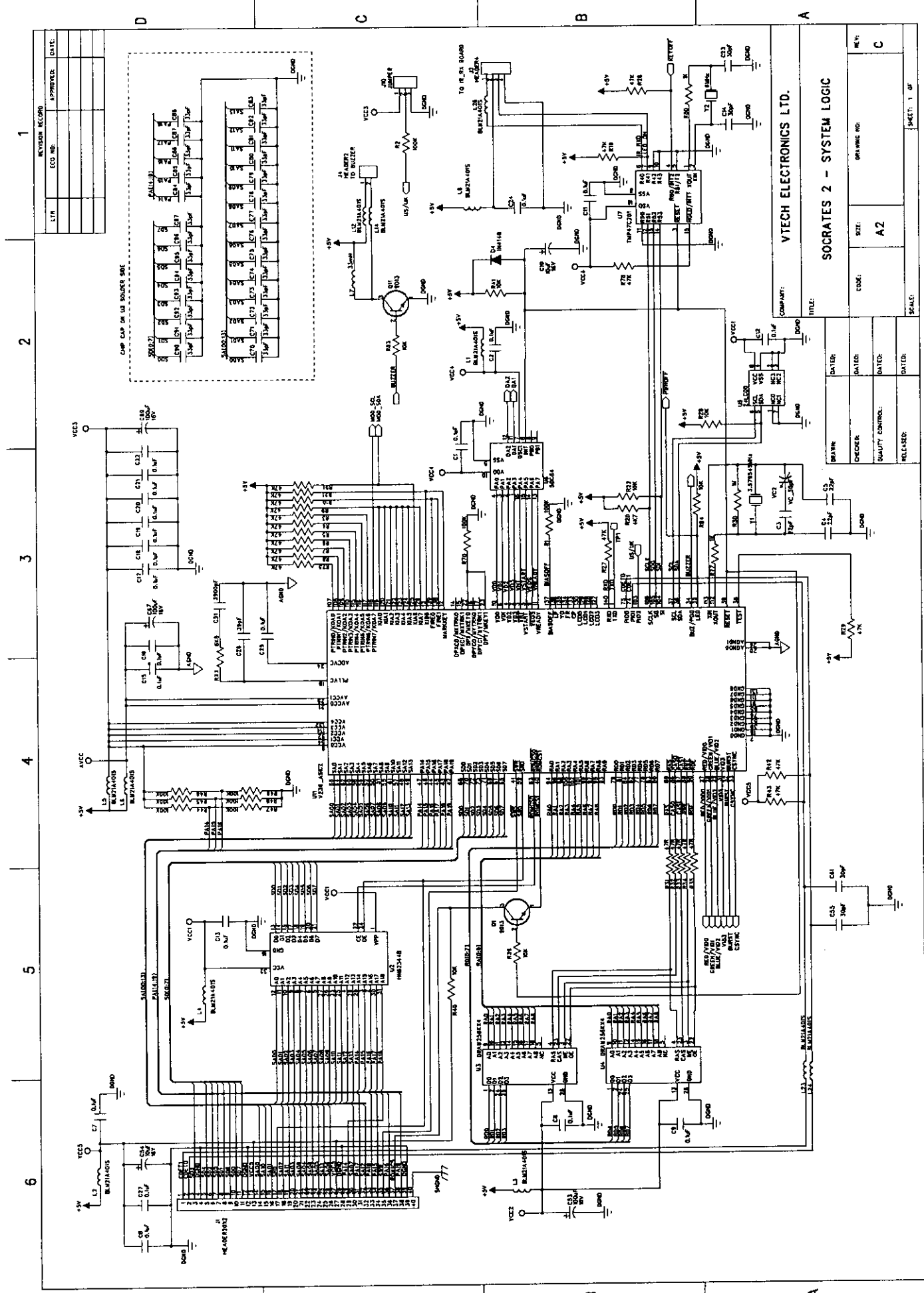


INTERTEK TESTING SERVICES

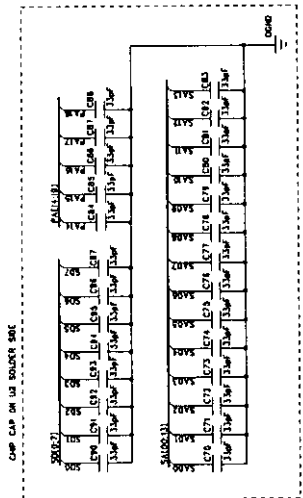
6.2 Schematic Diagram

Figure 6.2 Schematic Diagram



1
2
3
4
5
6

REV.	DESCRIPTION	DATE
1	ISSUED	
2	REVISED	
3	REVISED	
4	REVISED	
5	REVISED	
6	REVISED	



COMPANY: VTECH ELECTRONICS LTD.
TITLE: SOCRATES 2 - SYSTEM LOGIC

DATE:	CHECKER:	SAFETY CONTROL:	RELEASED:

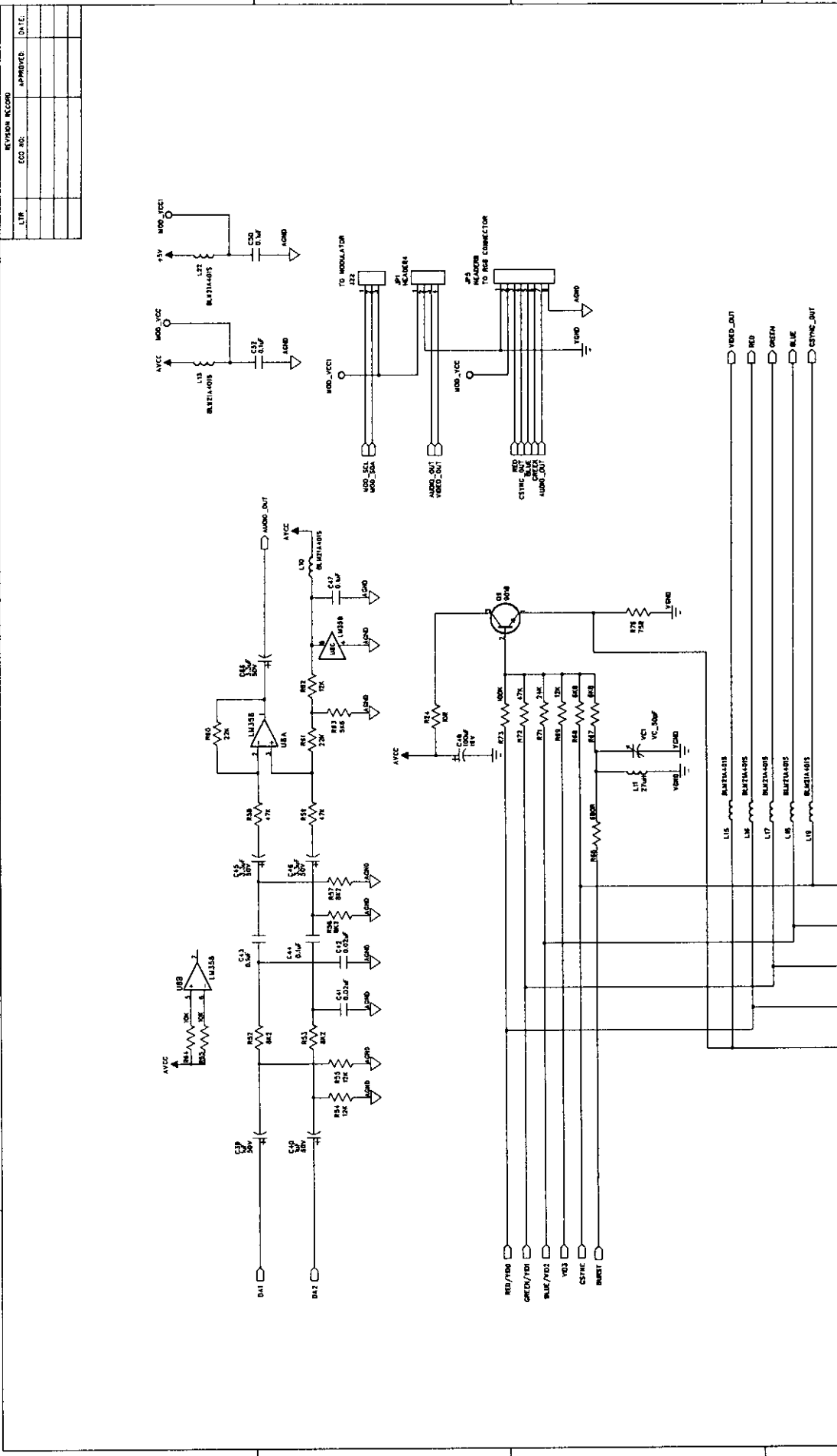
DATE:	CHECKER:	SAFETY CONTROL:	RELEASED:

DATE:	CHECKER:	SAFETY CONTROL:	RELEASED:

DATE:	CHECKER:	SAFETY CONTROL:	RELEASED:

DATE:	CHECKER:	SAFETY CONTROL:	RELEASED:

1 2 3 4 5 6

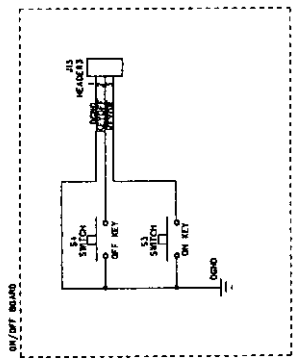
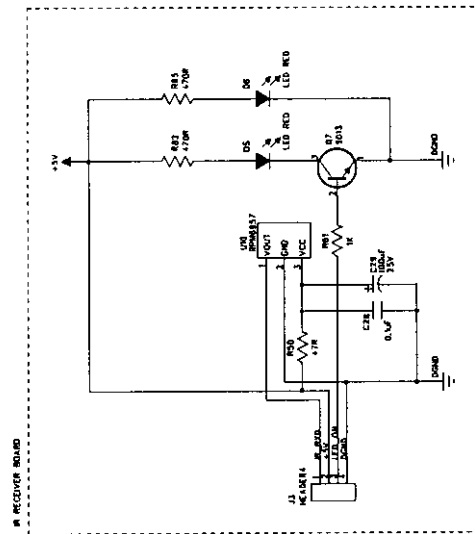
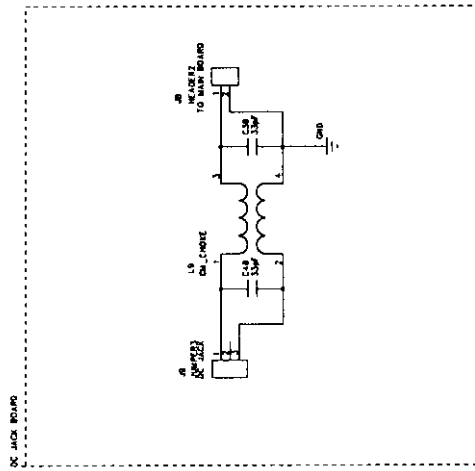


DATE:		DRAWING NO:		REV:	
CHECKED:		CODE:		A2	
QUALITY CONTROL:		SCALE:		C	
RELEASED:		SCALE:		SHEET: 2 OF	

COMPANY: VTECH ELECTRONICS LTD.
 TITLE: SOCRATES 2 - VIDEO AND AUDIO CIRCUIT

1 2 3 4 5 6

REVISION RECORD	
LTN	DATE
ECO NO.	APPROVED



COMPANY: VTECH ELECTRONICS LTD.	
TITLE: SOCRATES 2 - INFRA RED RECEIVER BOARD DC POWER JACK BOARD, ON/OFF BOARD	
DATE:	DRAWING NO:
CHECKED:	SCALE: A2
QUALITY CONTRL:	REVISION: C
RELEASED:	SCALE: SHEET: 4 OF

DATE:	DATE:	DATE:	DATE:
DESIGNER:	CHECKER:	QUALITY CONTRL:	RELEASED:

6 5 4 3 2 1

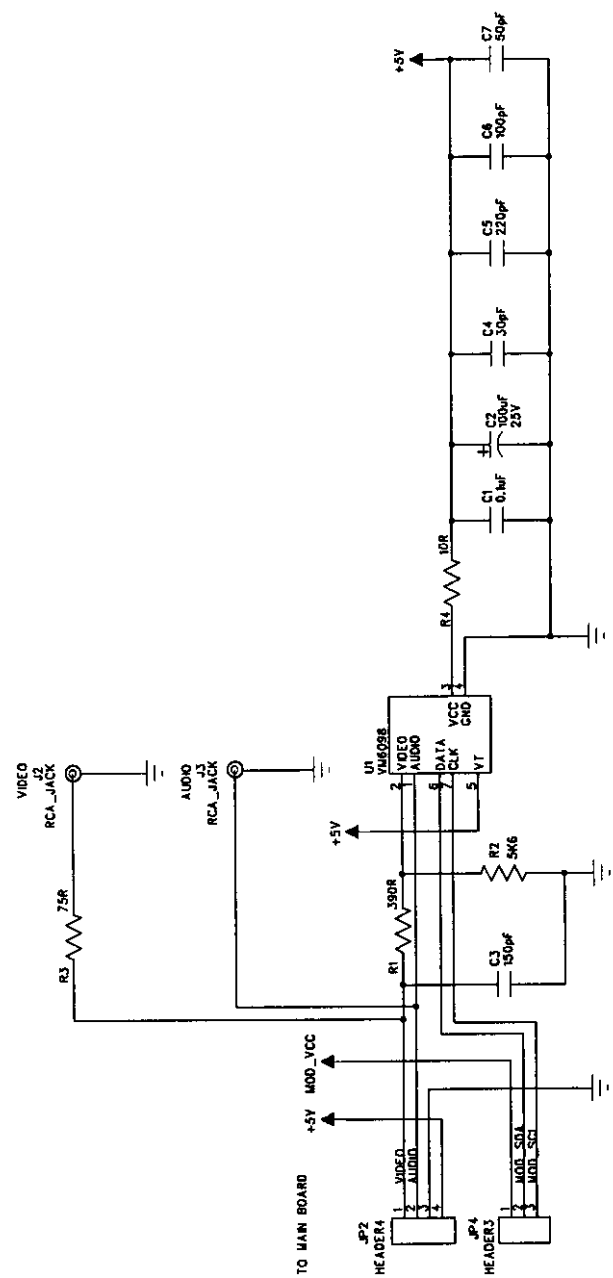
REVISION RECORD		
LTR	ECO NO:	APPROVED:

D

C

B

A



COMPANY: VTECH ELECTRONICS LTD.	
TITLE: SOCRATES 2 - MODULATOR BOARD	
DRAWN:	DATED:
CHECKED:	DATED:
QUALITY CONTROL:	DATED:
RELEASED:	DATED:
CODE:	SIZE:
DRAWING NO:	
REV: C	
SCALE:	SHEET: OF

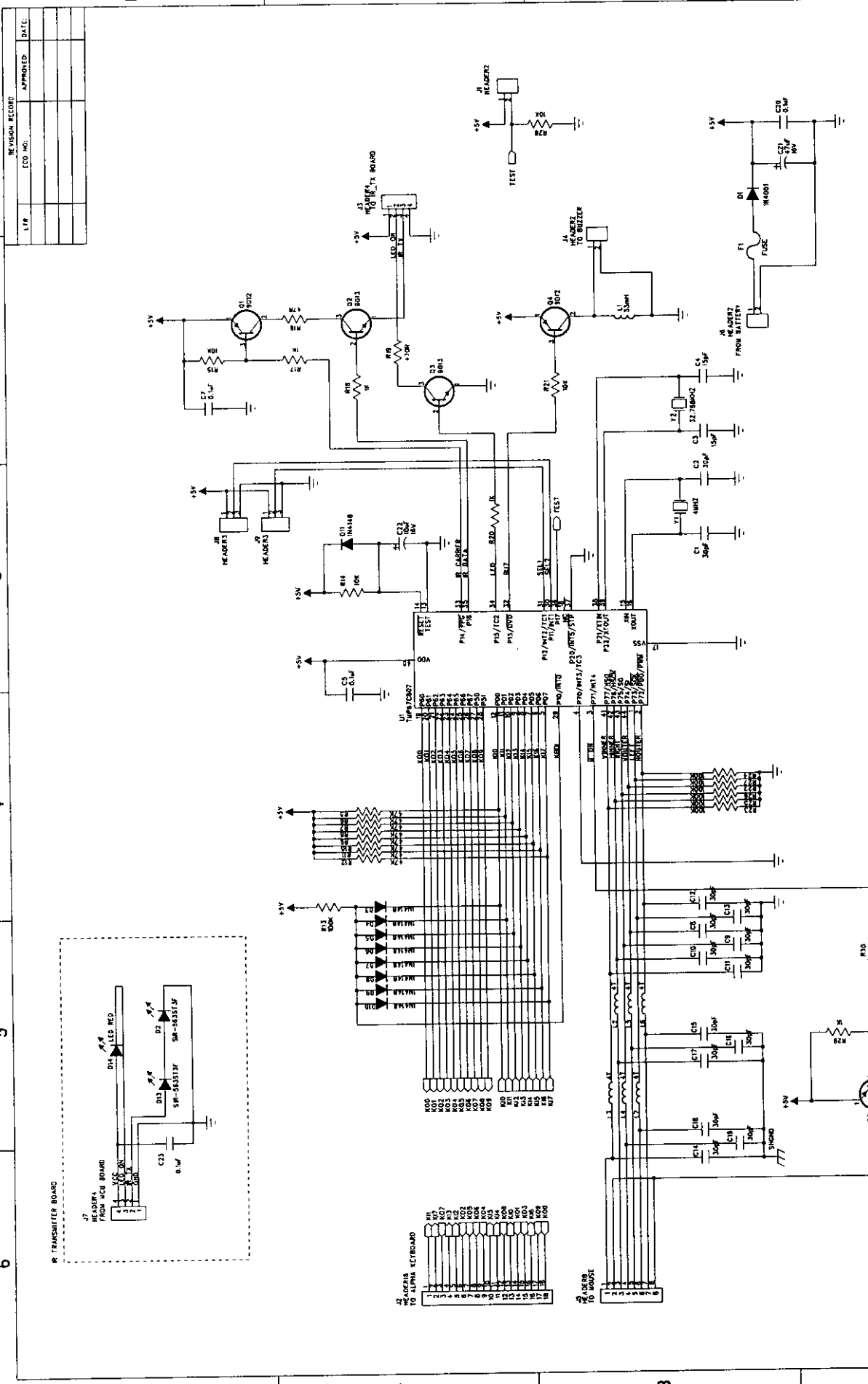
D

C

B

A

1 2 3 4 5 6

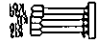
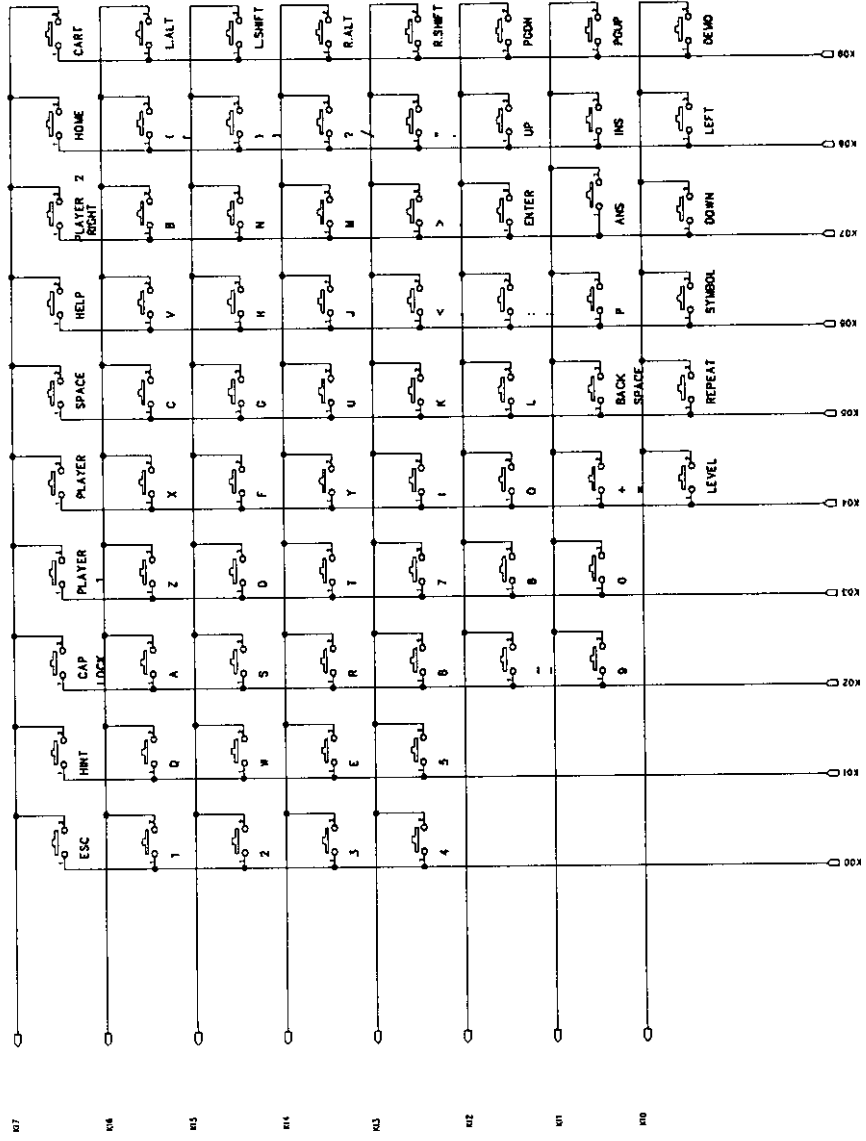
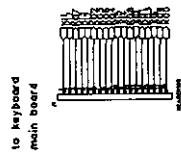


REVISION RECORD	
LTR	APPROVED
ED NO.	DATE

COMPANY:	VTECH ELECTRONICS LTD.		
TITLE:	INFRA RED KEYBOARD MCU BOARD		
CODE:	SIZE:	DATE:	REV:
	C		C

DRAWN:	DATED:		
CHECKED:	DATED:		
QUALITY CONTROL:	DATED:		
RELEASED:	DATED:		
SCALE:	SHEET: 1 OF		

REV.	DATE	BY	REVISION

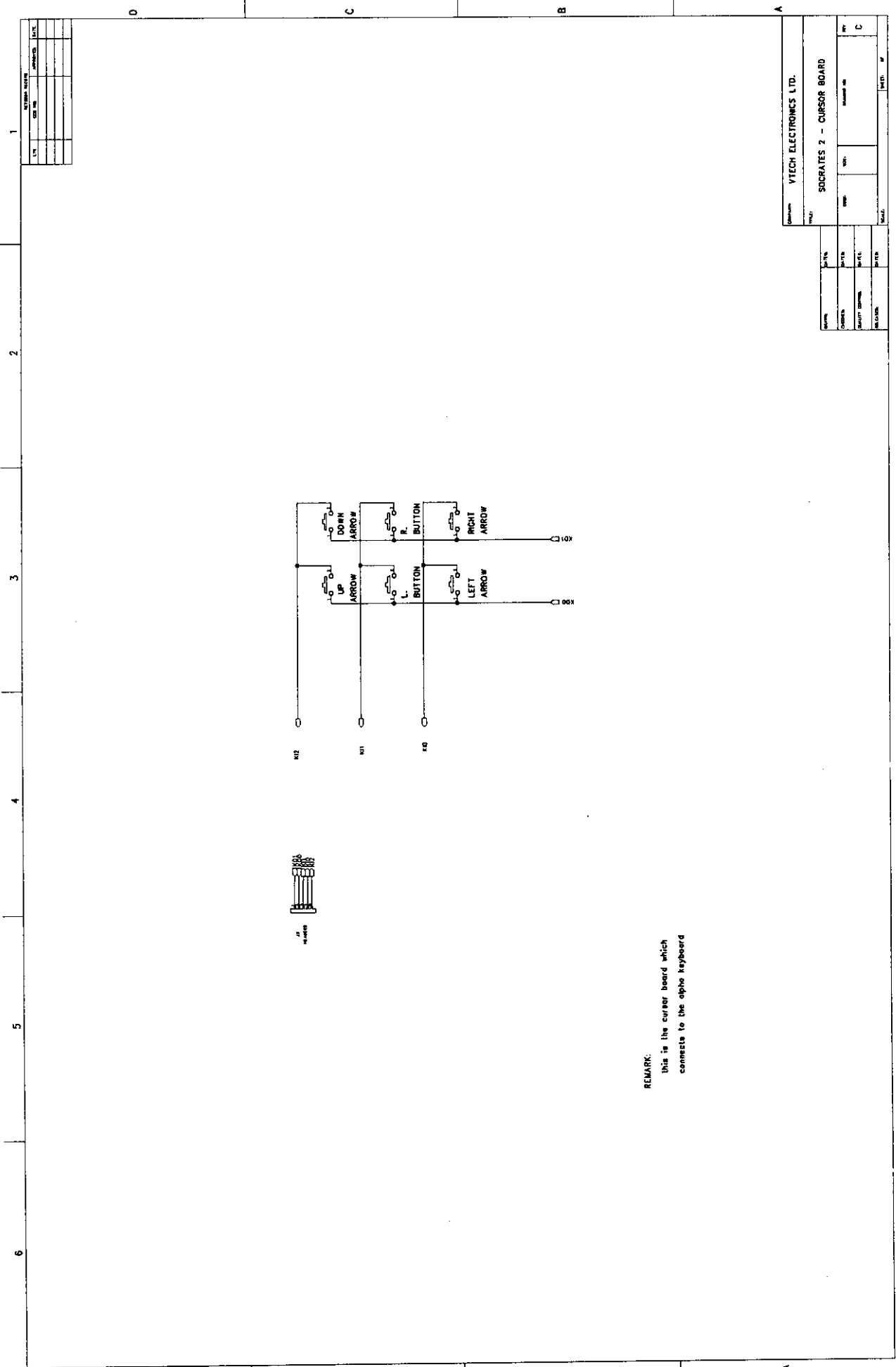


to cursor board

Remarks

This is the alpha keyboard and is connected between keyboard main board and cursor board.

Company: VITECH ELECTRONICS LTD.
 Title: SOCIATES 2 - MAIN KEYBOARD
 Name: _____
 Design: _____
 Drawn: _____
 Checked: _____
 Date: _____
 Scale: _____

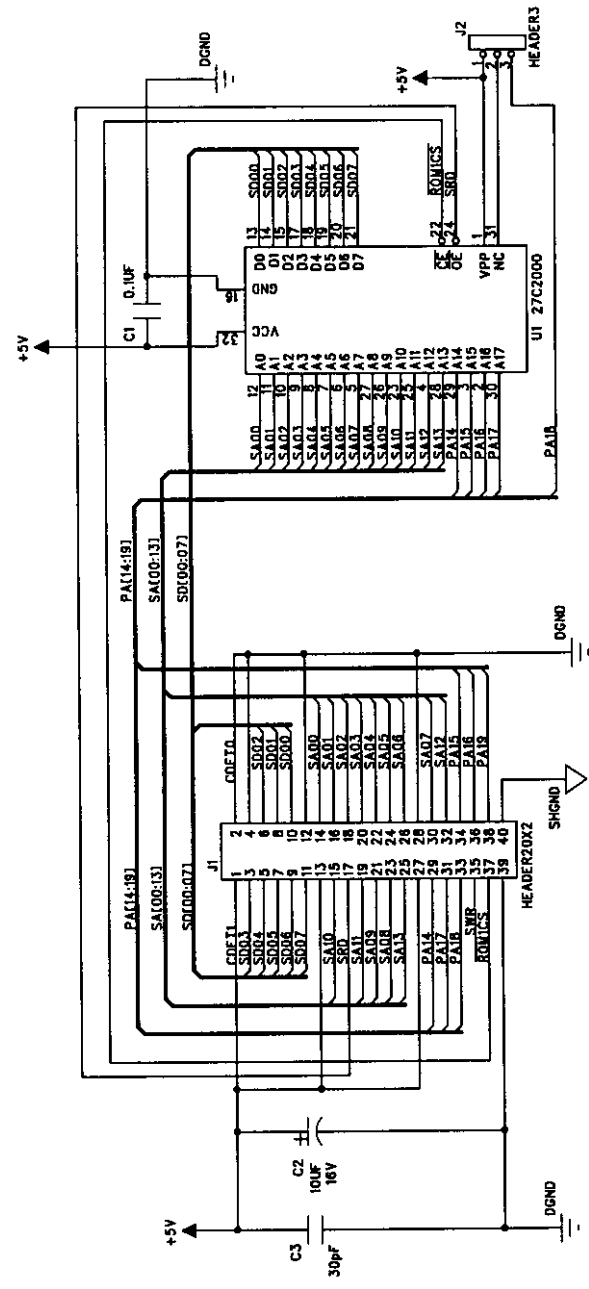


REMARK:
 this is the cursor board which
 connects to the alpha keyboard

REV	DATE	BY	CHKD	DESCRIPTION

VTECH ELECTRONICS LTD.		DATE	BY
SOURATES 2 - CURSOR BOARD		DATE	BY
REV	DATE	BY	CHKD

REVISION RECORD		
LTR	ECO NO.	APPROVED: DATE:

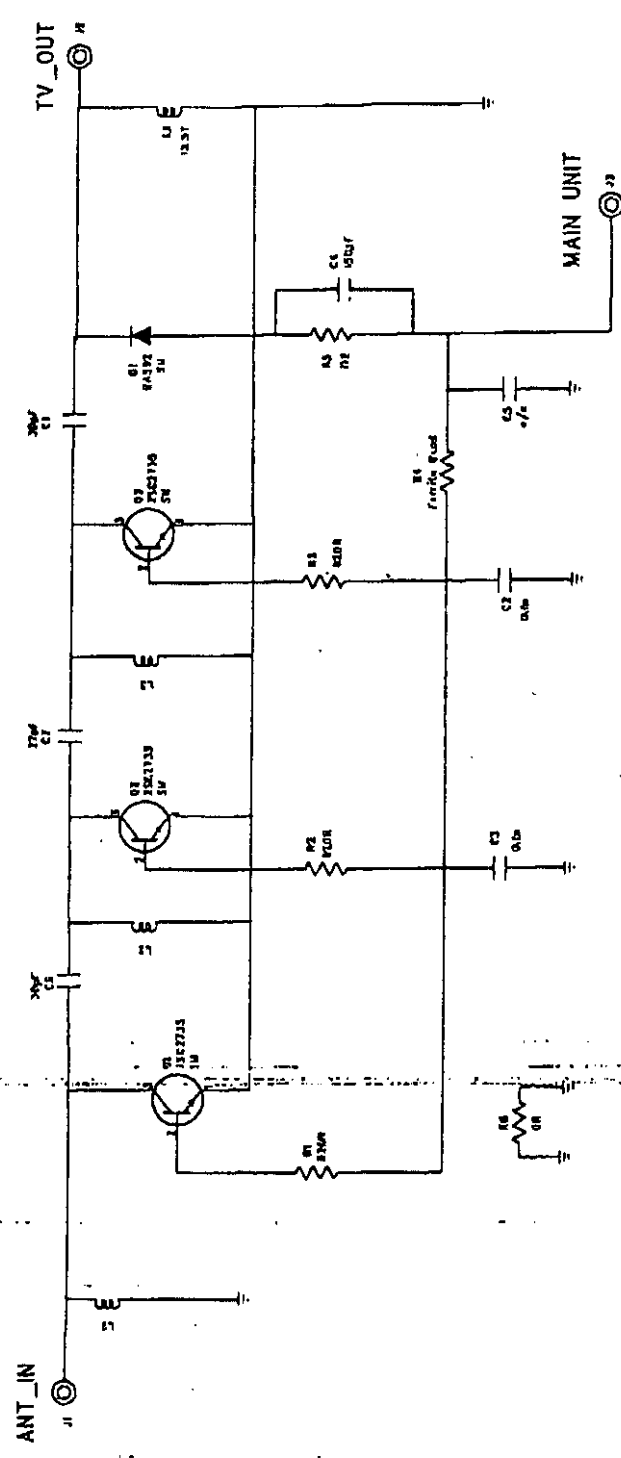


REMARKS:
 JUMPER 3:
 +5V - 4M
 PAB - 4M

COMPANY: VTECH ELECTRONICS LTD.	
TITLE: SOCRATES 2 - ROM CARTRIDGE	
DRAWN:	DATED:
CHECKED:	DATED:
QUALITY CONTROL:	DATED:
RELEASED:	DATED:
CODE:	DRAWING NO:
SIZE:	REV: C
SCALE:	SHEET: OF

antw5.sch-1 - Thu Jun 18 15:00:57 1998

1 2 3 4 5



VTECH Vtech Communications Ltd. Satellite Receiver Division	
Document No.:	
Model Name:	
Description of Circuit:	Antenna Auto Switch
Date:	17 June 98
Sheet:	1 of 5

FCCID: G2R88-23400