

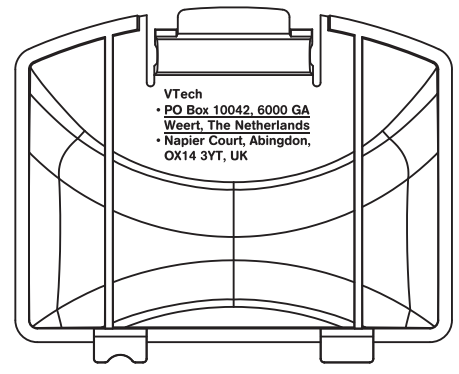
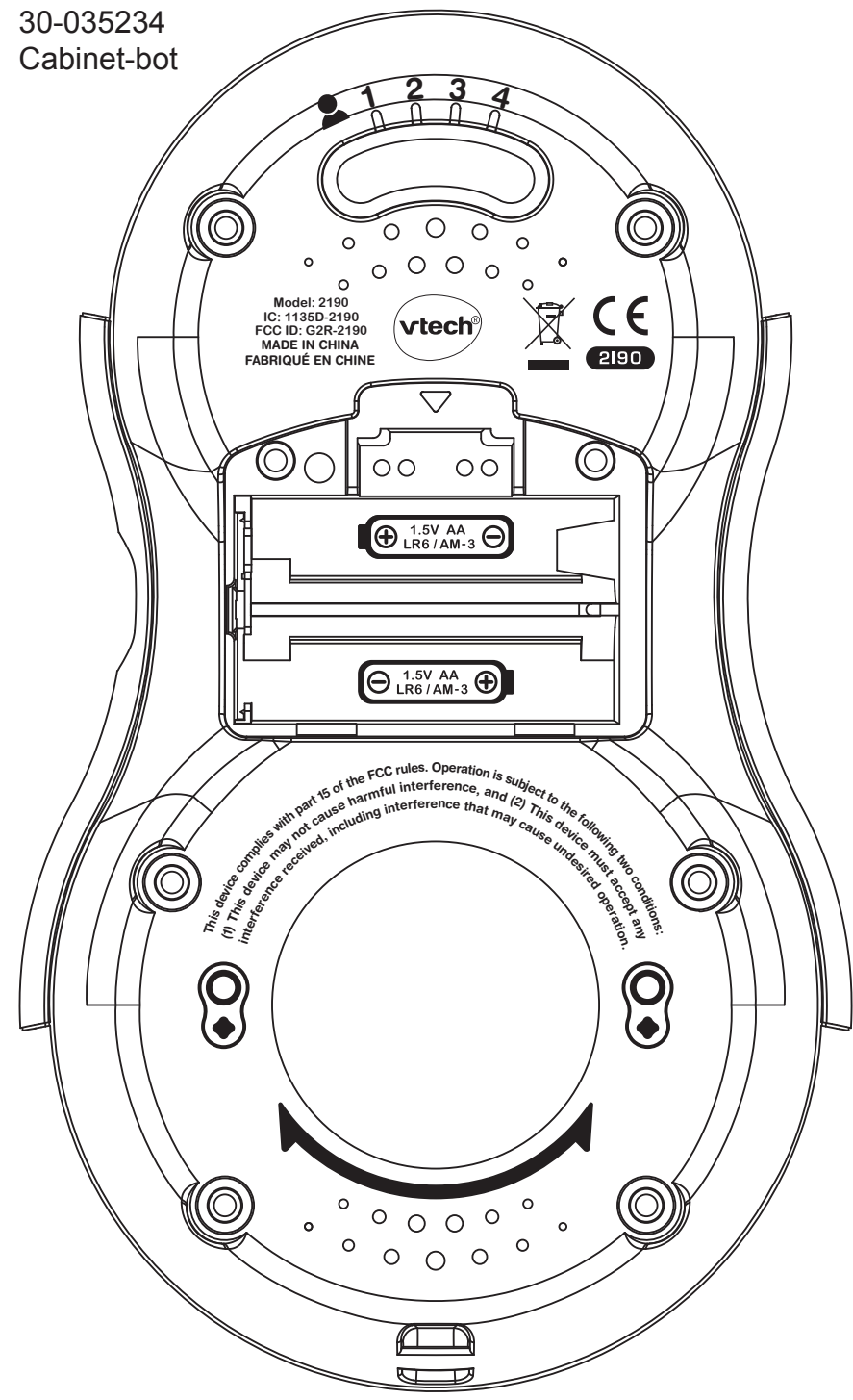
30-035234  
Cabinet-bot

2190 Engraving info

雕刻凹面高光  
Apr. 02. 2015



1.28mm  
1.22mm  
Model: 2190  
IC: 1135D-2190  
FCC ID: G2R-2190  
MADE IN CHINA  
FABRIQUÉ EN CHINE  
(Size: 5PT)



30-035253  
Battery Door

VTech  
• PO Box 10042, 6000 GA  
Weert, The Netherlands  
• Napier Court, Abingdon,  
OX14 3YT, UK

VTech  
• PO Box 10042, 6000 GA  
Weert, The Netherlands  
• Napier Court, Abingdon,  
OX14 3YT, UK

This device complies with part 15 of the FCC rules. Operation is subject to the following two conditions:  
(1) This device may not cause harmful interference, and (2) This device must accept any interference received, including interference that may cause undesired operation.



This device complies with part 15 of the FCC rules. Operation is subject to the following two conditions:  
(1) This device may not cause harmful interference, and (2) This device must accept any interference received, including interference that may cause undesired operation.

