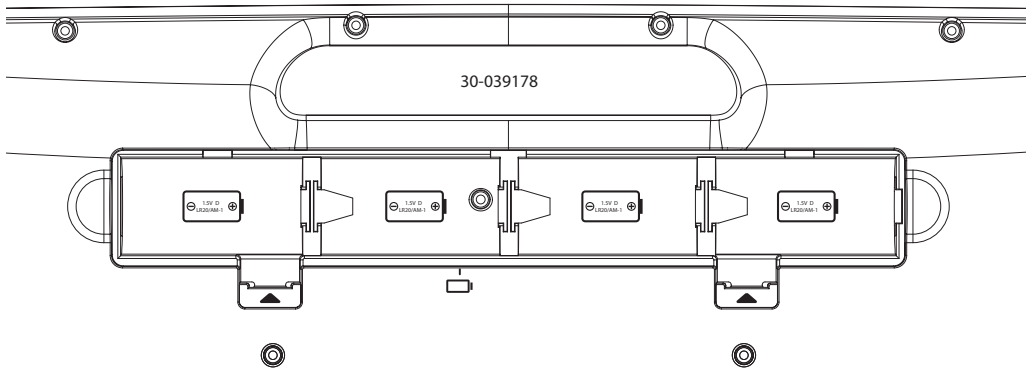
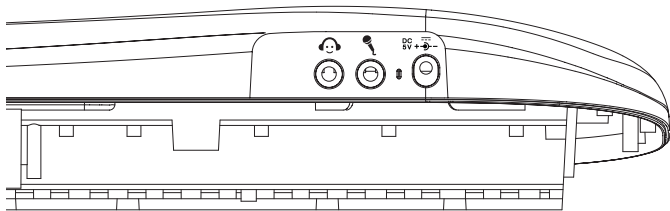


30-039177



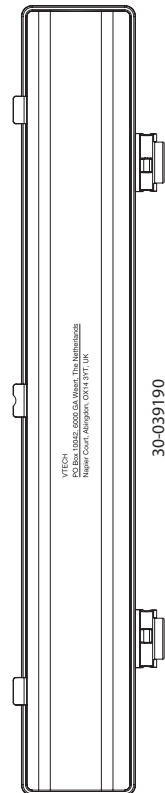
This device complies with part 15 of the FCC rules. Operation is subject to the following two conditions: (1) This device may not cause harmful interference, and (2) This device must accept any interference received, including interference that may cause undesired operation.

© 2016 Vtech.
FCC ID: G28-19478
Model: 1947

MADE IN CHINA / FABRIQUÉ EN CHINE

52.95 mm

80 mm



VTECH
PO Box 19478, 6000 G.A. Street, The Netherlands
Huisser Court, Abingdon, OX14 3YU, UK

30-039190



This device complies with part 15 of the FCC rules. Operation is subject to the following two conditions: (1) This device may not cause harmful interference, and (2) This device must accept any interference received, including interference that may cause undesired operation.

© 2016 Vtech.
FCC ID: G28-19478
Model: 1947

MADE IN CHINA / FABRIQUÉ EN CHINE

VTECH
PO Box 19478, 6000 G.A. Street, The Netherlands
Huisser Court, Abingdon, OX14 3YU, UK