

6

5

4

3

2

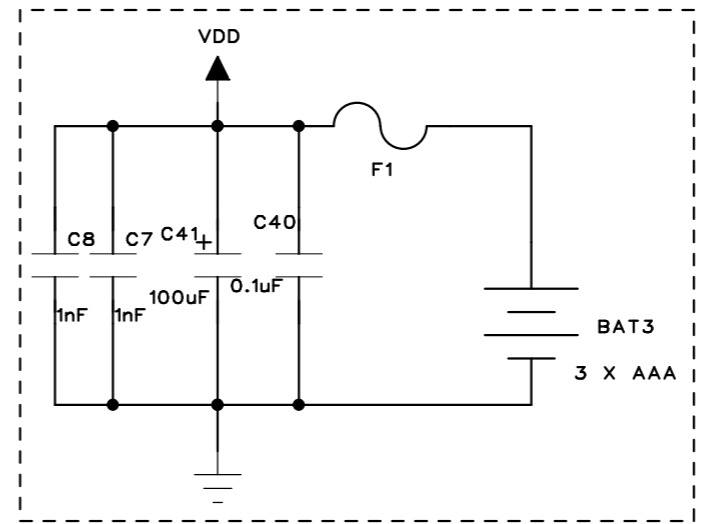
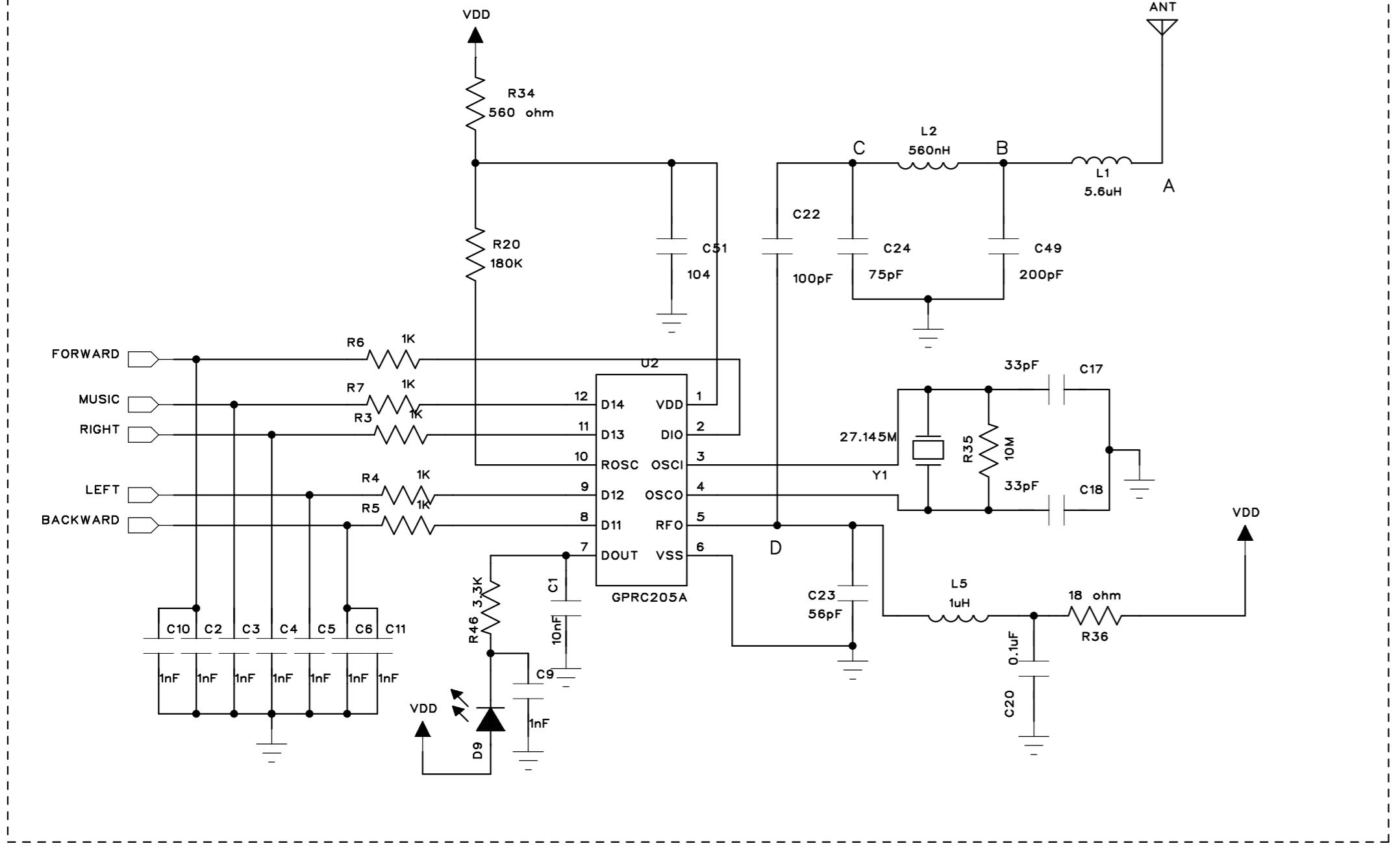
1

Transmitter system

REVISION RECORD			
LTR	ECO NO:	APPROVED:	DATE:

Matching to 50 Ohm load

50 ohm Antenna



COMPANY: VTECH ELECTRONICS LTD.			
TITLE: 1264 Remote Control vehicle			
CODE:	SIZE: B	DRAWING NO: 65-126400v01_20120325_for GA1	REV: 01
SCALE:		SHEET: 1 OF 1	

DRAWN: RONGWEI XIE	DATED: 2012.03.25
CHECKED: ZHOU YONG	DATED: 2012.03.27
QUALITY CONTROL:	DATED:
RELEASED: RONGWEI XIE	DATED:

CONFIDENTIAL