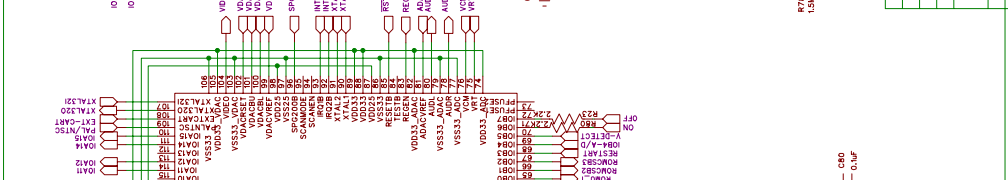
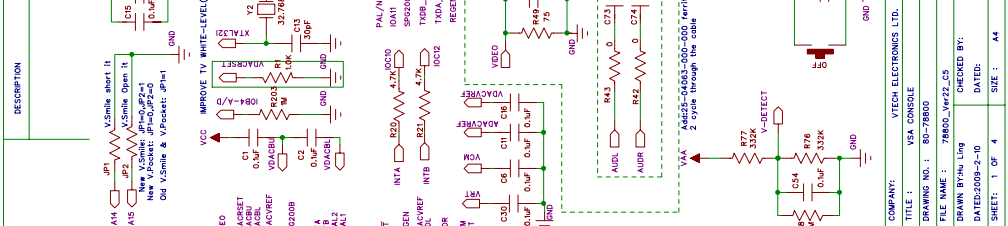


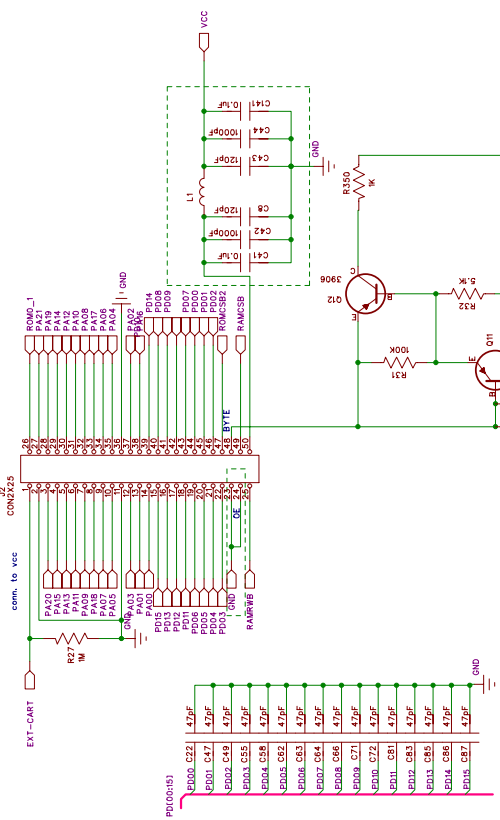
DESCRIPTION: IMPROVE TV WHITE-LEVEL FROM LSK (LOLX)

APPROVED BY: _____

DATED: _____



From Main BD to ROM Cartridge



Add the new reset circuit

