



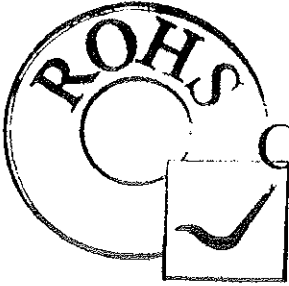
Bondale Industries Ltd.
博钜实业有限公司

E-2, 10/F, Hoi Bun Industrial Bldg., 6 Wing Yip Street, Kwun Tong, Kowloon, Hong Kong.
Tel: 852 2345 0215 Fax: 852 27978191

Email: Bondale@netvigator.com

www.bondale.com

www.asiansources.com/bondale.co



COVER OF SPECIFICATION
规格书

NO.: AN01249

CUSTOMER'S NAME : 云辰
 客戶名稱
 CUSTOMER'S MODEL NO. :
 客戶型號
 CUSTOMER'S PART NO. : A/02030010R 橡膠天線
 客戶料號
 PRODUCT NAME : 橡膠天線
 產品名稱
 OUR MODEL NO. : G-RA-94051(DG105-001/D)
 本公司型號

This Specification is Composed of Under Listed (Samples be attached)
 本规格书由以下内容组成(样品另附):

No	Items (項目)	Pages(頁碼)
1	Certificate of conformance (Rohs 規格產品依從證明書)	1
2	Product Drawing (產品圖)	1
3	Specification of Product (產品規格書)	1
4	Capability Test Report (性能測試圖)	1
Total pages (總計頁數/含本頁):		5

Please fax back this brefile page with authorized signature and company chop as customer's approval on samples, Thanks! (請確認後回傳本頁, 謝謝!)

Customer Sign: 客戶簽署:		Customer Company Chop: 客戶公章:	
-------------------------	--	------------------------------------	--

**Bondale Industries Ltd.**

E-2, 10/F, Hoi Bun Industrial Bldg., 6 Wing Yip Street, Kwun Tong, Kowloon, Hong Kong.

Tel: 852 2345 0215 Fax: 852 27978191

Email: Bondale@netvigator.comwww.bondale.comwww.asiansources.com/bondale.co

博鉅實業有限公司

To : 云辰

_____Date : 2006/06/10File No: AN01249**CERTIFICATE OF CONFORMANCE ROHS**

Customer Part No. : _____

Bondale Part No. : G-RA-94051(DG105-001/I)Description : 橡膠天線

We, Bondale Industries Ltd. assured that the above mentioned item G-RA-94051(DG105-001/I) is fully comply with the EU directive **2002/95/EC** and Packaging directive **94/62/EC** and that its content of hazardous substances is below the values as listed:

ROHS critical values:

*Cadmium(Cd)		under 100 ppm	
*Lead (Pb)	Generally	under 1,000 ppm	
	Be Exempted	<i>Products that contain Copper alloy components</i>	under 40,000 ppm
		<i>Product that contain Steel alloy components</i>	under 3,500 ppm
		<i>Product that contain aluminum alloy components</i>	under 4,000 ppm
*Mercury (Hg)		under 1,000 ppm	
*Hexavalent Chormium (Cr6+)		under 1,000 ppm	
*PBBs		under 1,000 ppm	
*PBDEs		under 1,000 ppm	

Packaging directive 94/62/EC critical values:

*Packaging (Pb + Cd +Hg +Cr6+) under 100 ppm

Exempted below:

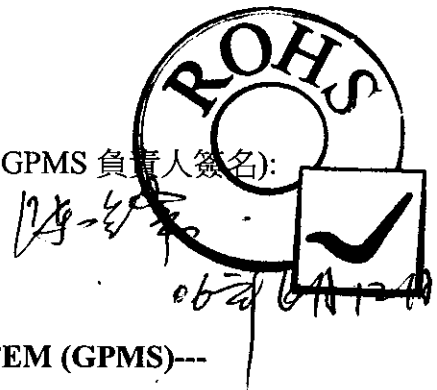
If the above mentioned item is reprocessed by customer, we wouldn't promise and assure the content of hazardous substances of the product item.

On behalf of

Bondale Industries Ltd.

ROHS green chop and GPMS spokesman sign(Rohs 綠色印章 + GPMS 負責人簽名):

Yours sincerely,



---GREEN PRODUCT MANAGEMENT SYSTEM (GPMS)---

---綠色產品管理系統---

RUBBER ANTENNA SPECIFICATION

Specification no: AN01249

CUSTOMER : 云 辰

MODEL: G-RA-94051(DG105-001/I)

1 Application

The antenna specified in this specification is applicable for the transceiver.

2 Dimensions

As per Drawing No. G-RA9405101B001I-DG105 attached.

3 Materials

As specified in drawing No. G-RA9405101B001I-DG105

4 Electrical Characteristics

- i) Resonate Frequency : 2339.15~2660 MHz
- ii) Impedance : 50 ohm Nominal(Depend on available ground plane)
- iii) Radiation Pattern : Omni Directional
- iv) Polarization : Vertical
- v) Standing Wave Ratio (S.W.R) : 2.0 or less
- vi) Insulation resistance : 500 M ohm at DC 500V
- vii) Gain: 2.1 dBi

5 Mechanical characteristics:

- i) The strength of fixing between sleeve and stud shall withstand the following stresses
 - Vertical Direction: 2.0 kgs
 - Rotating Direction: 2.0 kgs

6 General Characteristics

- i) Storage Temperature : -30°C to 80°C
- ii) Operating Temperature : -30°C to 60°C
- iii) Vibration Test : There shall be no defects in appearance or the mechanical and electrical functions after the antenna being tested by a regular mounting device under the following conditions:
 - a) Displacement : +5° of the axis original position
 - b) Duration : 1000 cycles/minutes
 - c) Time : 5 minutes
- iv) Shock Resistance : Satisfy the electrical and mechanical characteristics after drop down with 100g upon rubber block

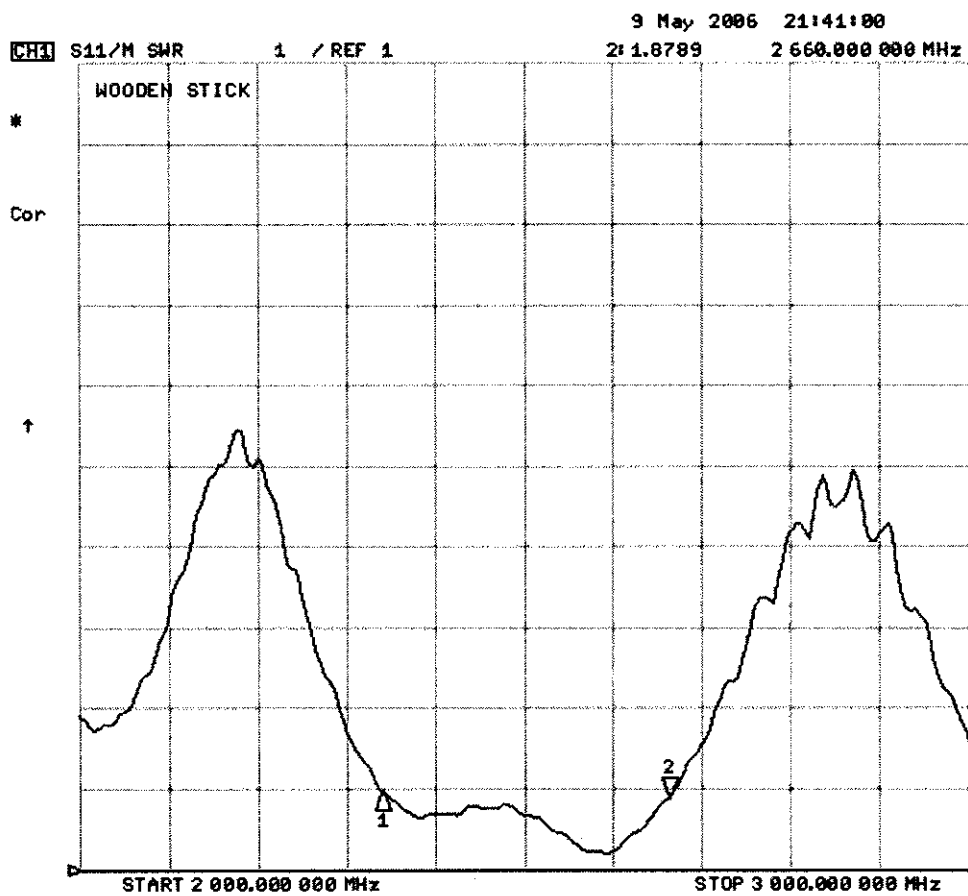
7 Others : Any modification of this specification has to be agreed by us.

Prepared By: 溫有金 Checked By: 李燕飛 Approval: 張萬春

Capability Test Report

Specification NO.: AN01249

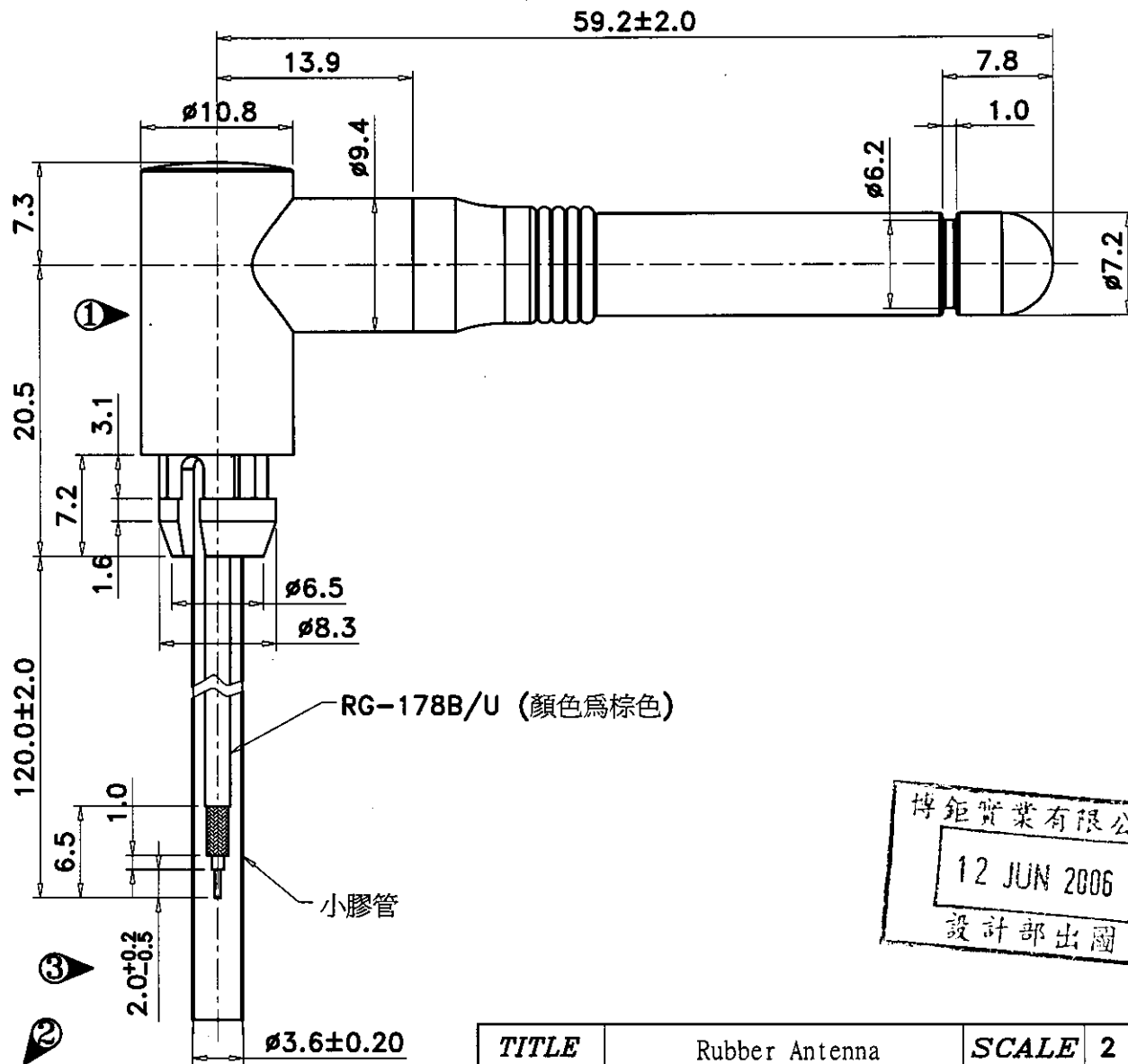
Model NO.: G-RA-94051(DG105-001/I)



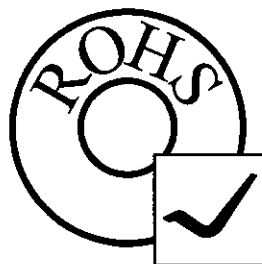
第三角畫法

AN01249

REV.	ISSUE FOR	OLD DRAWING NO.	25<L<=80	±0.30
①	塑膠連接子材質由ABS+UV粉改為尼龍+UV粉	RA9405101B001B-DG105	8<L<=25	±0.20
②	顏色改用黑色	RA9405101B001C-DG105	L<=8	±0.10
③	內導體外露長度由原來2.0±0.1改為2.0 ^{+0.2} _{-0.5}	RA9405101B001D-DG105	線性尺寸L	未注尺寸偏差



博鉅實業有限公司
12 JUN 2006
設計部出圖



注:

1.天線膠管顏色為:黑色

2.天线工作频率为:2.33915~2.66GHZ.

TITLE	Rubber Antenna	SCALE	2 : 1	DRAWN	溫東明	08/06/06
PART NAME	G-RA-94051(DG105-001/I)	MATERIAL		INSPECTED		
BONDALE ELECTRONICS LTD.		HANDLING		APPROVED		
DRAWING NO.		G-RA9405101B001I-DG105				