

SOLAR-POWERED POOL ALARM SYSTEM FOR SAFETY AID

TO READ ATTENTIVELY AND TO PRESERVE FOR FUTURE CONSULTATION

WARNING

This system is simply a safety aid which announces a danger (or risk of danger) when an equivalent of 8kgs (18 pounds) object falls into a unsupervised swimming pool. The fast intervention in less than 3 min of a responsible adult is obligatory when the signal of alarm happens. Ensure the construction of the pool wall is solid enough, thus it can stand the drilling of the screws and wall plugs without cracking the pool wall. After installation, ensure the pool alarm itself cannot be shaken, otherwise it will affect the performance of pool alarm detection. In the event of any injury or death to any person arising out of misuse, abuse, negligence, accident or alteration, Everspring Tech USA, Inc., will not be liable for any consequence caused.

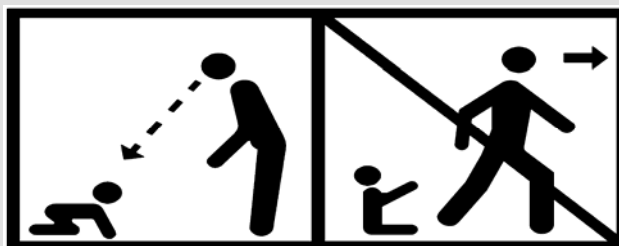
This system does not replace the good direction nor with the several liability. The purpose of it is not to either replace the vigilance of the parents and/or the responsible adults, which remains the essential factor for the protection of the children with less than five years;

The user who turns OFF the system must be conscious that the human monitoring must take over;

It is imperative to react when the signal of alarm happens;

The greatest vigilance of the responsible parent /adult is necessary between the end of the bathe and the reactivation of the product;

Never leave children unattended in or around the swimming pool or spa. Children under five years of age are at the greatest risk for injury or death in pool-related accidents.



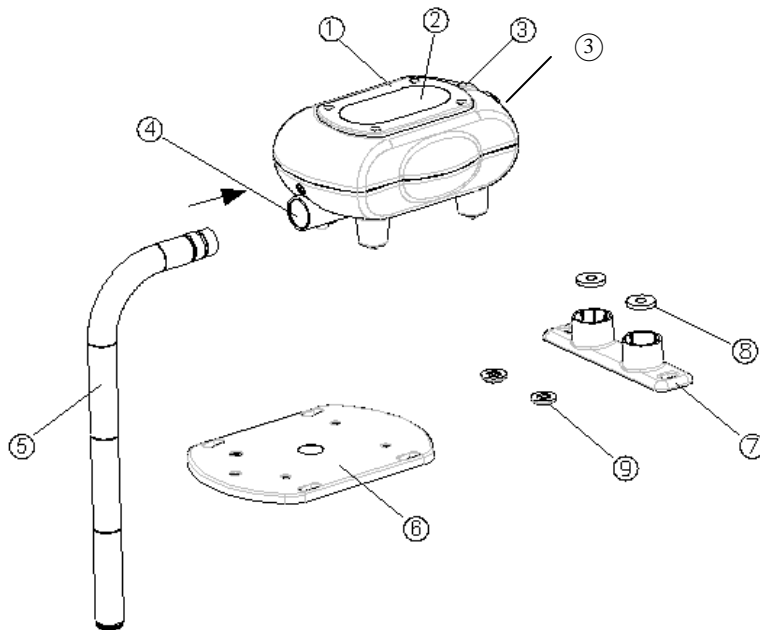
In the event of possibility of stroke with against current: "Cancel the stroke with against current at the end of the bathe to allow the reactivation of the product".

Some of cleaning robots as a plunger robots type are incompatible with the systems of detection of immersion

PRODUCT LAYOUT

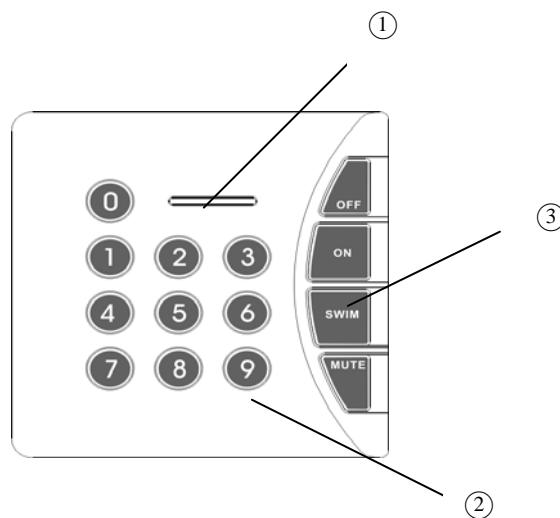
Solar-powered Wireless Pool Alarm (ST113)

- ① Battery Cover
- ② Solar Panel
- ③ Two Indication Light (Top & Bottom)
- ④ Sensing Compartment
- ⑤ Detachable Tube
- ⑥ Flat Mounting Plate
- ⑦ Adjustable Mounting Plate
- ⑧ Spacers
- ⑨ Mounting Feet



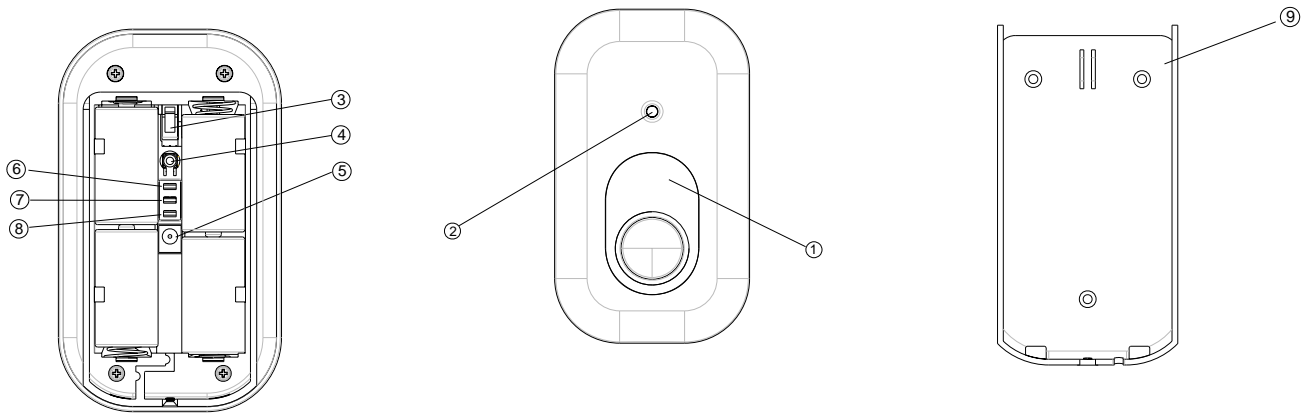
Wireless Keypad (SA802)

- ① Setting/Low Battery LED
- ② Keypad
- ③ Function Key

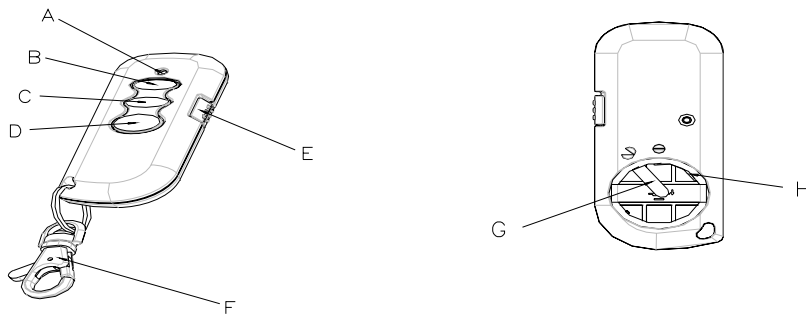


Siren & Strobe (SE802)

- ① Strobe Light
- ② Red & Green LED
- ③ Tamper Switch
- ④ Learning Key
- ⑤ DC Jack
- ⑥ Two-Phase Sound Jumper Link
- ⑦ Anti-jamming Jumper Link
- ⑧ Tamper Jumper Link
- ⑨ Mounting Bracket



Wireless Remote Controller (SR803)



A LED indicator	E Mute switch
B OFF MODE	F Key Chain Ring
C ON MODE	G Negative Polarity
D SWIM MODE	H Positive Polarity

The kit includes one piece each of Solar-powered Wireless Pool Alarm, Siren & Strobe , Wireless Keypad and Wireless Remote Controller, all of which products have been designed to aid in the detection of unwanted intrusions into unclosed above ground or in ground swimming pools. THE SOLAR-POWERED WIRELESS POOL ALARM IS NOT A LIFE SAVING DEVICE. It should be used along with other safety equipment and precautions. It is intended to provide an additional level of security to your swimming pool and/or spa. This unit is not intended to replace any other safety consideration: adult supervision, lifeguards, fences, gates, pool

covers, locks, and so forth... And some devices may not detect gradual entry.

INTRODUCTION

The Solar- Powered Pool Alarm uses seismic technology to detect unwanted intrusions into swimming pools. In the event of a child or pet (min. 18 lbs) accidentally falling into the pool the Pool Alarm would detect the intrusion and sound an 110 db alarm at the pool and an 85db alarm in the house. Immediate adult response is required upon activation of the alarm.

PACKAGE CONTENT

The Solar Powered Pool Alarm has specially designed packaging to minimize the chance of the contents becoming damaged during shipping and handling. Please carefully check your unit for damage and confirm that all the contents listed below are included. For replacement parts, please contact the retailer or store where you purchased your Pool Alarm.

Item	Qty
Base Unit	1
Flat Mounting Plate	1
Wireless Keypad (SA802)	1
Wireless Remote Controller (SR803)	1
Siren & Strobe (SE802)	1
LR20 Alkaline Battery	4
1.5V LR14 14A Size C	4
AA 1.5V alkaline battery	3
25mm Screws	2
30mm Screws	6
15mm Screws	4
18mm Screws	5
38mm Screws	2
Detachable tube	4
Plastic wall plug	9
Mounting feet	2
Adjustable Mounting Plate	1
Spacers	10
Operating instruction manual	1

SOLAR-POWERED WIRELESS POOL ALARM

INSTALLING THE POOL ALARM

There are four detachable tubes which can be connected to create a single, long tube. (Fig.1 & Fig. 2) You will need to connect the appropriate number of tubes to ensure that the distance from the bottom end of the tube to the water level is 9.65 inches (24.5 cm) (Fig. 3).

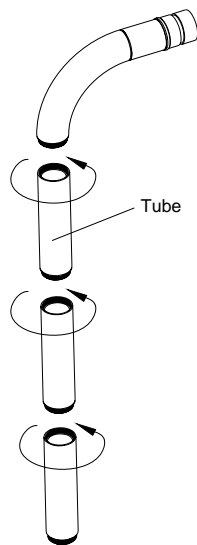


Fig.1

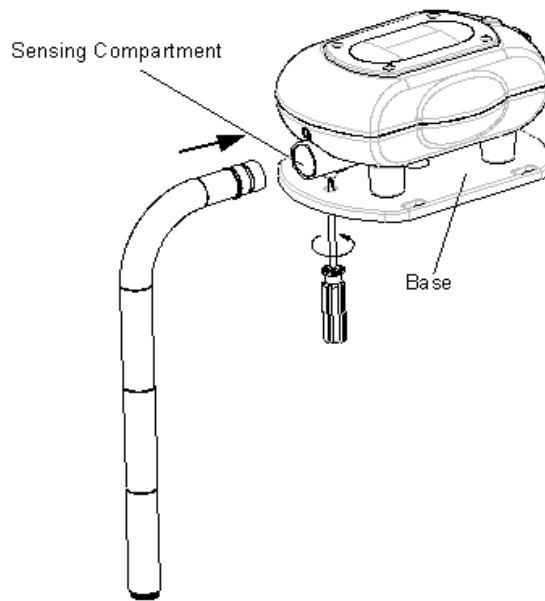


Fig.2

1. Connect the appropriate number of tubes together to ensure that the bottom of the tube is 9.65 inches below the water line. If the length is longer trim the tube end so that the tube is 9.65 inches below the water line.
2. Insert the tube to the sensing compartment of the Pool Alarm base using the screws provided (Fig. 2)
3. The base unit must be placed so that the tube is approximately 1 3/4" (4.5cm) from the pool wall. (Fig. 4)
4. Mounting the Pool Alarm Base Unit:

Pool Alarm can simply be placed on the pool deck or permanently installed using the provided mounting plates. Two styles of mounting plates are included: A flat mounting plate for mounting the unit on pool decks with flat coping and an adjustable mounting plate designed for pools with coping edges that are sloped.

- **Flat Mounting Plate**

To permanently install the unit on flat coping use the attached flat mounting plate. Make sure the unit is positioned as shown in (Fig.4) below. Using a marker – mark the deck through the 4 mounting slots located on the sides of the mounting plate. Drill four 1/4" holes through the marks. Install the plastic wall plug in the holes

with a small amount of silicone. Place the unit over the holes and attach using four 30mm screws provided. (Fig.3)

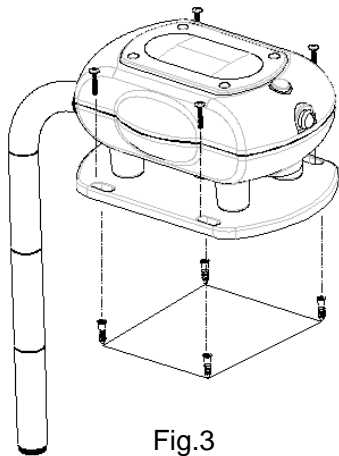


Fig.3

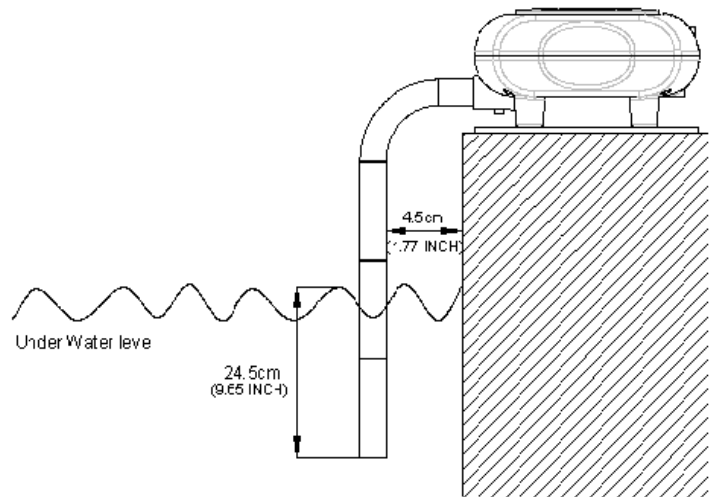


Fig.4

Note: The pool alarm may not functional properly if your pool's water level is not maintained and the bottom of the tube is not at least 9.65 inches (24.5 cm) below the water line.

- **Adjustable Mounting Plate**

To permanently install the unit on coping that is sloped. Position the unit as shown in (Fig.7) Install the two buttons on the front legs of the unit using the screws provided. Place the unit on the edge of the coping so that the unit is positioned correctly. Place the rear leg mounting plate under the rear legs and add spacers to the mounting plate's cups until the Pool Alarm unit is level. Using the 30mm screws provided secure the rear leg mounting plate to the unit (Fig.5). Next use a marker to mark the coping through the slots on the mounting plate. Remove the unit and drill two ¼" holes through the marks. Install the plastic wall plug with a small amount of silicone. Place the unit over the holes and attach using two of the 30mm screws provided. (Fig.6)

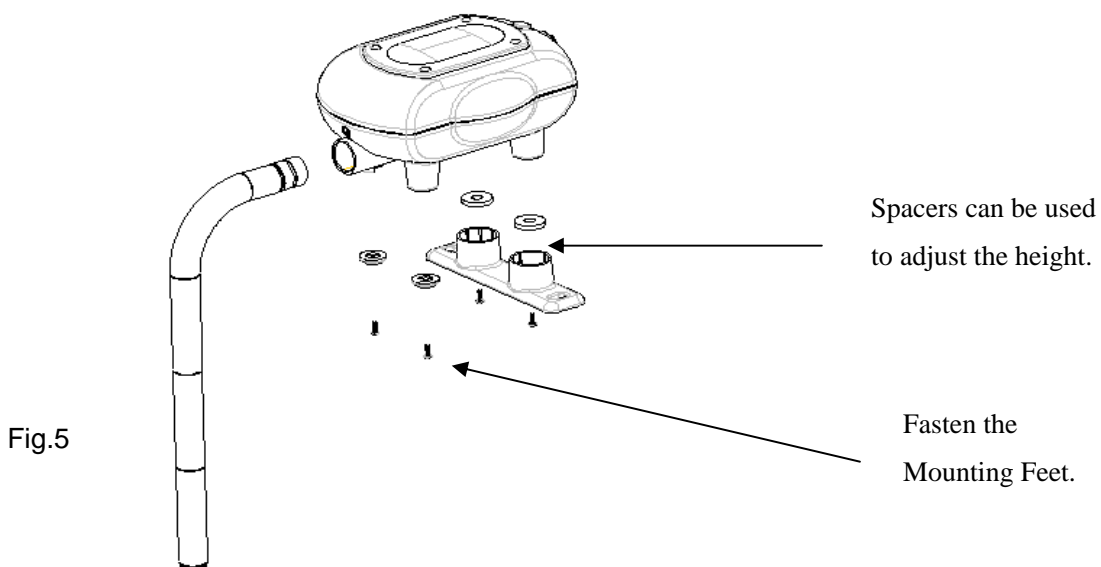


Fig.5

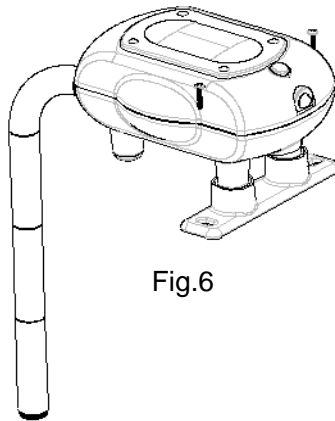


Fig.6

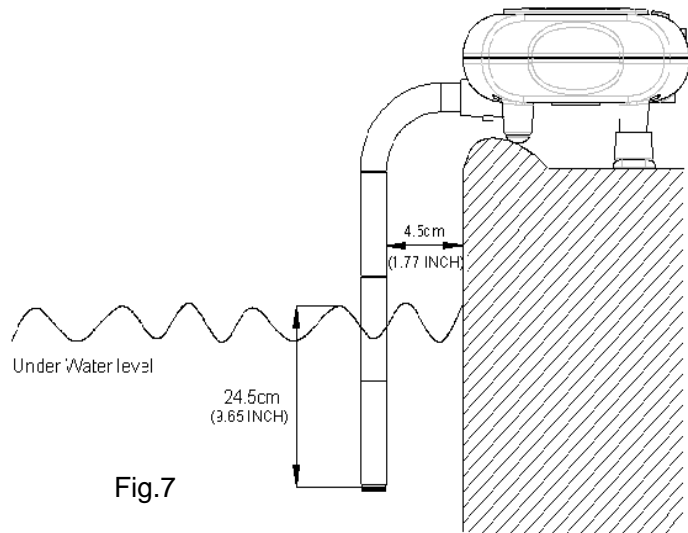


Fig.7

Note: The pool alarm may not functional properly if your pool's water level is not maintained and the bottom of the tube is not at least 9.65 inches (24.5 cm) below the water line.

WIRELESS KEYPAD

The Wireless Keypad is used to control the Pool Alarm by using a four digit Administrator password. The Keypad is powered by 3 x AA 1.5V alkaline battery. Under normal operating conditions this will provide an expected life in excess of 1 year. When the battery level falls below an unacceptable level, the "Setting/Low Battery" LED on the front of the Keypad will flash 4 times when pressing any key. When this occurs the batteries should be replaced as soon as possible.

POSITIONING THE KEYPAD

The Keypad should be located and mounted inside the premises. To determine the proper location the keypad should be placed on the interior wall closest to the pool at eye level near the door that provides access to the pool. The range of wireless signal approximately 150" when using the device through walls. Do not fix the keypad to metalwork or locate the unit within 3 feet of metalwork such as doorframes, radiators pipes, etc.

INSTALLING AND CONFIGURING THE KEYPAD

1. Undo and remove the fixing screw from the bottom edge of the Keypad and remove the wall mounting bracket.(Fig.9)

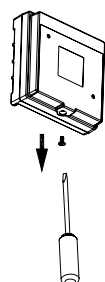


Fig. 9

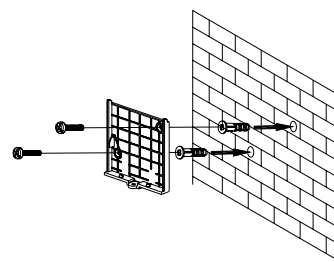


Fig.10.

2. Using the mounting bracket as a template, mark the positions of the two fixing holes on the wall.
3. Fix the mounting bracket to the wall using the screws and wall plugs provided. (Fig.10) Do not over-tighten the fixing screws as this may distort or damage the mounting bracket.
4. There is one jumper link located above the battery compartment.(Fig .11)

Jumper link J1: Reset to Factory default

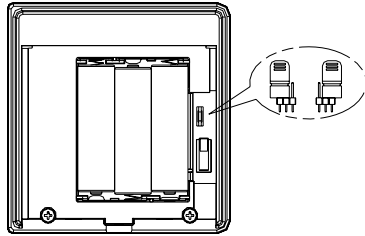


Fig. 11

If unfortunately you forget the Administrator password, reset the Administrator password to factory default by proceeding with the following steps in sequence:

- (1) Remove the batteries.
- (2) Set the Jumper link J1 to off position as shown on Fig. a
- (3) Refit the batteries. The keypad is reset properly by flashing back light 0~9 3 times.
- (4) Set the Jumper link J1 to on position as shown on Fig. b.

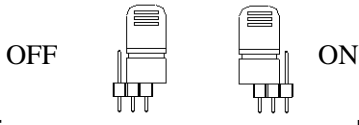


Fig. a

Fig. b

5. Connect the 3 x AA alkaline batteries to the battery compartment.
6. Click the Keypad to the mounting bracket and screw the fixing screw.(Fig.4a &4b) Do not over-tighten the fixing screw.

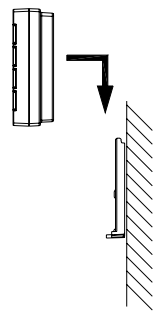


Fig. 4a.

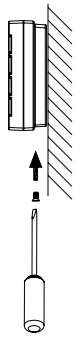



Fig. 4b.

Note: The Keypad has back light illumination facility. The back light of digit number 0~9 won't be off until 5-second illumination duration expires each time when you press any key. Once transmission is successful the back light of digit number 0~9 will extinguish. Failure to input any key more than 5 seconds after each pressing will be treated as invalid input. The back light of digit number 0~9 will flash 3 times as an indication.

CHANGING THE ADMINISTRATOR PASSWORD

The Keypad is supplied with a default Administrator password of: 1234. For security reasons, it is recommended that this password is changed to another four digit number which only you and other users of the system know. To change the Administrator password, press the following keys in sequence:

- (1) Press **1 2 3 4 2**
Original Administrator password

(2) Enter 
 New Administrator password

SIREN & STROBE (SE802)

The Siren & Strobe serves as an auxiliary accessory to the Pool Alarm. When the Pool Alarm detects unwanted intrusions into unclosed swimming pools, a full alarm condition will occur. Simultaneously, the Siren & Strobe will initiate a full alarm condition as an intensive warning.

POSITIONING THE SIREN & STROBE

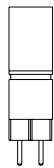
The Siren & Strobe should be located and mounted inside the premises. To determine the proper location the Siren & Strobe should be placed on the interior wall closest to the pool approximately at door height near the door that provides access to the pool. The range of the wireless signal approximately 150' when using the device through walls. Do not mount the Siren & Strobe to metalwork or locate the Siren within 3 feet of metalwork such as doorframes, radiators, pipes, etc.

INSTALLING AND CONFIGURING THE SIREN & STROBE

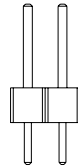
- (1) Undo and remove the fixing screws from the mounting bracket.
- (2) Place 4 x 1.5V alkaline LR14 batteries to the battery compartment.
- (3) Use the mounting bracket as a template to mark the positions of fixing holes on the wall.
- (4) Fix the mounting bracket to the wall using the plastic wall plugs and fixing screws provided.
- (5) According to the functions of the product layout, choose or justify the ones that suit you most.

	Function	Description
Red & Green LED	Green LED: RF transmission confirmation Red LED: Warning indication	When red & green LED illuminate simultaneously, orange LED will be indicated
Strobe Light	Warning indication	
Learning Key	Learning and cleaning out the preset ID code	
Tamper Switch	A full alarm condition will be initiated against the unit being removed from the wall	A full alarm condition will be initiated if the unit is removed from the wall.
Tamper Jumper Link	Enable or disable this function	Jumper link fitted – enable Jumper link removed - disable
Anti-jamming Jumper Link	Enable or disable this function	Jumper link fitted – enable

		Jumper link removed - disable
Two-phase Sound Jumper Link	Sound volume selectable – 90 or 100 dB/ 0.3 feet	Jumper link fitted – 100 dB Jumper link removed – 90 dB
DC Jack	Use AC/DC adaptor	



Jumper link fitted
Enable



Jumper link removed
Disable

NOTE: The Anti-jamming Jumper Link is preset disabled due to its high sensitivity easily causes Siren & Strobe abnormal alarm.

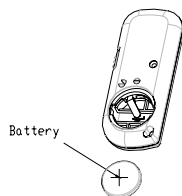
- (6) By releasing the tamper switch from being pressed if the tamper jumper link is enabled, the unit will generate a full alarm condition by flashing its strobe light for about 6.5 minutes and red LED illuminating shortly.
- (7) If the battery level drops below unacceptable level, the red LED of the unit will flash shortly every 30 seconds. When this occurs, the batteries should be replaced as soon as possible.

Wireless Remote Controller (SR803)

The Wireless Remote Controller is a hand-held transmitter which offers the pool owner to control Pool Alarm from a distance within 150 feet. The Remote Controller adopts a CR2032 type Lithium cell which under normal conditions will have typical life in excess of 1 year. Under normal battery conditions the LED on the Remote controller will only illuminate when a button is pressed. However, under low battery conditions the orange LED will illuminate every time the button is pressed. When this occurs the batteries should be replaced as soon as possible.

SETTING THE REMOTE CONTROLLER

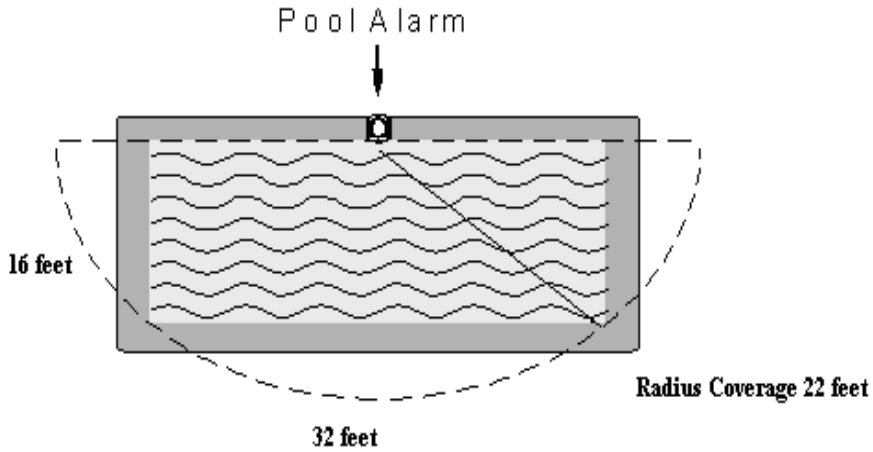
1. Remove the rear cover with a coin.
2. Insert the battery ensuring that the +v terminal faces upwards away from the PCB.



OPERATING INSTRUCTIONS

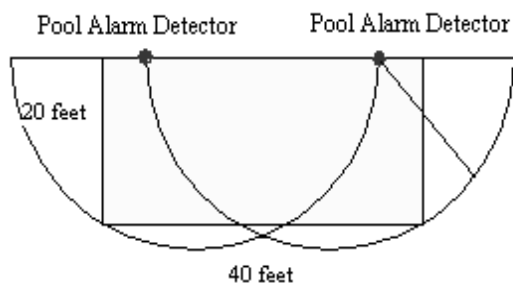
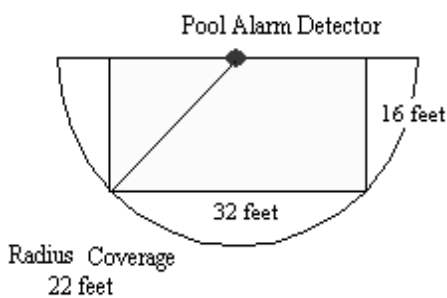
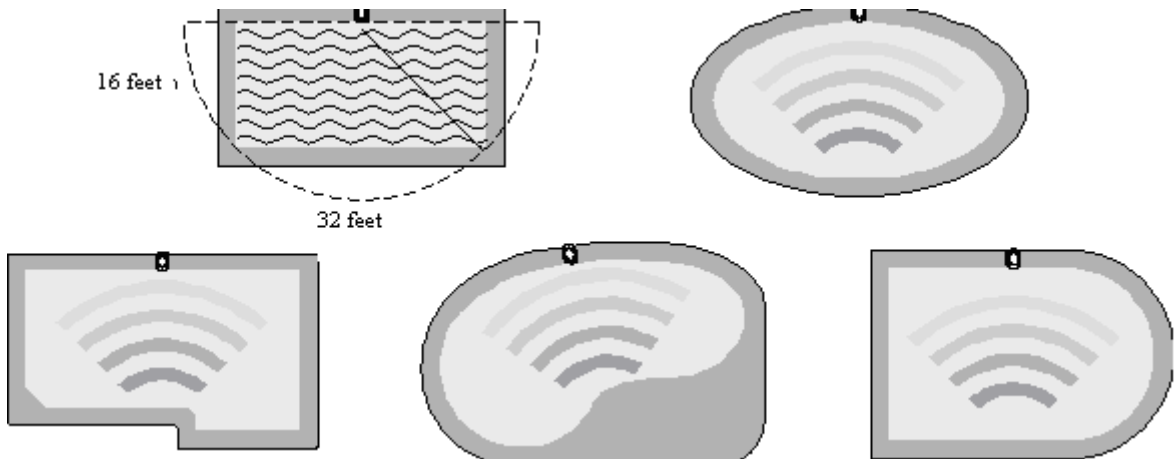
The Pool Alarm has been designed to function in pools up to 16' x 32' in size. For pools that are 16' x 32' or smaller, the Pool Alarm must be installed at the midpoint of the longest side of the pool. (See illustration) The unit must not be located within 18" of any water inlet or outlet in the pool. For pools with spillover spas the unit

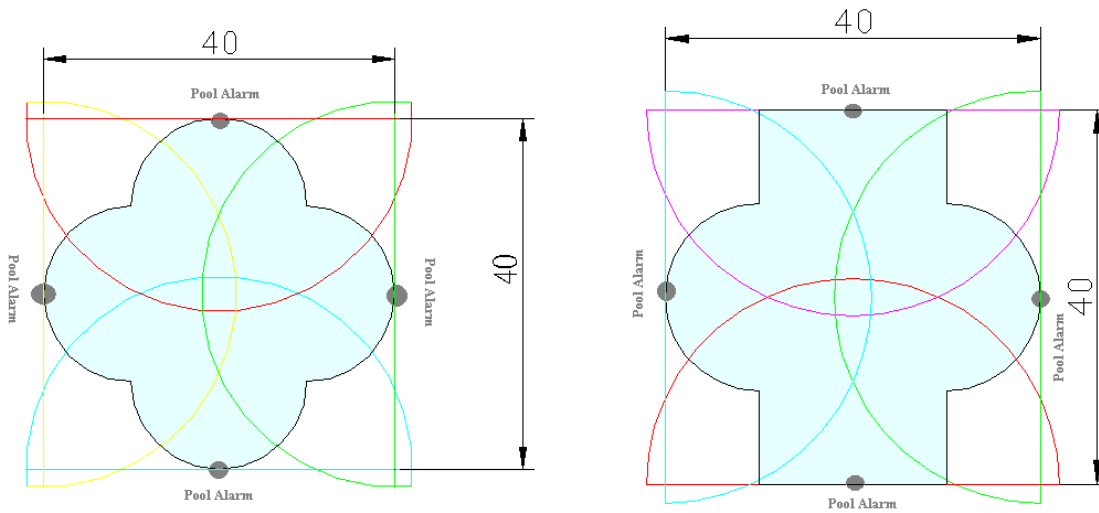
must be located so that the water returning to the pool is at least 18" away from the Pool Alarm.



If your pool has an irregular shape more than one unit may be required to provide adequate coverage. The coverage area of a Pool Alarm unit can be represented by sweeping a 22' radius arc with the center point located at the axis of the Pool Alarm sensor tube. This provides a coverage area of up to 44' surrounding the unit (22' on either side of the unit) and 22' across from the unit. The unit must be located on the pool such that a straight line can be drawn from any point on the perimeter of the pool to the unit without any line being obstructed by a pool wall. The length of any of the lines cannot exceed 22'.

Once the placement location has been identified Pool Alarm should be tested to insure proper operation prior to installation.





Note : Do not mount the Pool Alarm either in the corner or at the indentation of the pool side or it may result in a blind spot.

POOL WIDTH (X)	POOL LENGTH (Y) *		UNIT PLACEMENT DIMENSION (d)
	One Unit Required	Two Units Required	
10'	Less than 39'	39'-80'	19' 7"
11'	Less than 38'	38'-79'	19'
12'	Less than 36'	36'-77'	18' 5"
13'	Less than 35'	35'-75'	17' 9"
14'	Less than 33'	33'-72'	16' 11"
15'	Less than 32'	32'-70'	16' 1"
16'	Less than 32'	32'-67'	15' 1"
17'	Less than 27'	27'-63'	13' 11"
18'	Less than 24'	24'-59'	12' 7"
19'	Less than 22'	22'-55'	11' 1"
20'	Less than 18'	18'-50'	9' 2"
21'	Less than 12'	12'-41'	6' 7"

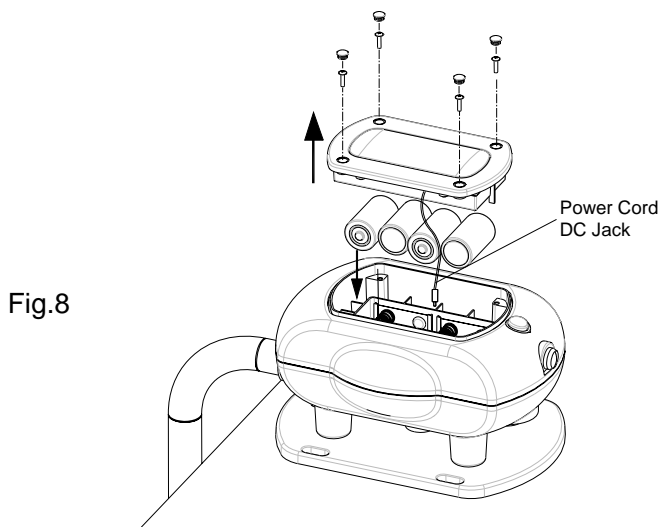
*** NOTE: IF POOL LENGTH IS BELOW THE RANGE SHOWN FOR A PARTICULAR POOL WIDTH, ONLY A SINGLE UNIT IS REQUIRED. THE SINGLE UNIT SHOULD BE PLACED AT THE MIDPOINT OF THE LONGEST WALL**

INITIAL POWER-UP

LOADING THE BATTERY

The solar panel will take approximately 6 to 8 hours to be charged and able to use. Until that is complete the unit will function using power from the batteries. Daily exposure to normal outdoor ambient light (sun or clouds)

will keep the unit fully charged. The batteries provide back up power in the event that the solar panel is unable to fully recharge. When Pool Alarm is under “Arm Mode” the unit detects a low battery condition the unit will provide a low battery alert. (see Quick Reference Guide)



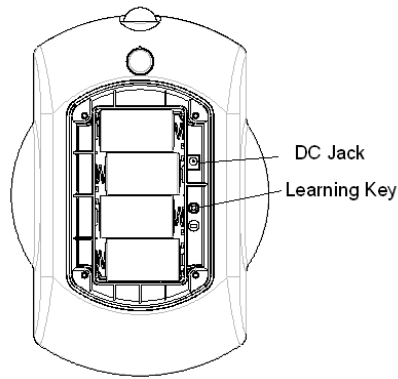
Follow the below steps in sequence to load the batteries.

1. Remove four rubber stoppers and undo four fixing screws from the battery cover.
2. Remove the solar panel and insert 4 x 13A LR20 1.5V alkaline batteries.
3. Plug the power supply cord to the DC jack.
4. Re-install screws and screw covers to top of the Pool Alarm base unit.

TURNING ON THE POOL ALARM

Normally, once the solar panel has been connected and the batteries have been installed. The Pool Alarm Unit will be ready for operation. At this stage, you may switch the Pool Alarm to the desired mode or wait for 30 seconds before throwing a 8 kgs (18 pounds) object to the pool for test which will lead to a loud pulsating alarm sound both from the Pool Alarm and the Siren & Strobe. It allows you to verify if the function of piercing alarm sound is working properly and to be sure if the sound volume of Siren & Strobe can be heard inside your home.

There is no button on the Pool Alarm unit, you need to use keypad or controller to turn “ON” the Pool Alarm. The ID code among Solar-powered Wireless Pool Alarm and three accessories are well learned which means if no necessary, do not clear code or proceed with learning code process. However, if you find out the connection between Pool alarm and accessories are poor or unstable, try to clear the code between all the kits and re-start learning code process. Refer to instruction Page 16 and 17.



Pool Alarm will turn on and switch to armed mode directly subject to ambient environment detection being taken properly.

1. The unit will start detecting ambient environment for 8 – 14 minutes. The main purpose of it is to detect the wave intensity of water action avoiding false alarming resulted from wave being caused by strong wind. After completion of ambient environment detection, the Pool Alarm will release a short beep for 0.1 second, confirming that the system has been armed.
2. The Pool Alarm will instantly be monitoring your pool for an intrusion.
3. In case of unwanted intrusions into a swimming pool, the Pool Alarm will generate a full alarm condition, while the auxiliary Siren & Strobe will alarm and flash for 210 seconds.

Note: If the Pool Alarm keeps on detecting the ambient environment without being armed properly, possible reasons are:

- a. After swimming, the water in the pool will rock or bounce up and down the pool wall for some time depending on the size of the pool and the type of swimming activity. Before initiation the unit, after swimming, the pool must be given time to calm. Time will vary (around 5-10 minutes); once the pool water is no longer rocking up and down the pool wall, it is time to operate the unit.
- b. On extremely windy days such bad weather, the unit cannot detect correctly.

TURNING OFF THE POOL ALARM

Wireless Keypad (SA802) & Wireless Remote Controller (SR803) are both capable of turning off the Pool Alarm.

Using the Wireless Keypad:

Press the “OFF” button and enter in the code. The remote keypad buttons will briefly illuminate and Light bar will flash when the signal is sent. You will hear 3 short beeps and both LED indicators on the unit will stop flashing.

Using the Wireless Remote Controller:

Press and hold “OFF” for 3 seconds. The LED on the controller will momentarily flash green. You will hear 3 short beeps and the LED indicator on the unit will stop flashing. The Pool Alarm will beep for 3 times in

response and enter the sleep mode, which means no automatic activation will occur.

SWIM MODE

Pool Alarm can be placed into Swim mode using either the Remote Keypad or the Remote controller. The swim mode allows people to use the pool without turning off Pool Alarm. When people leave the pool, Pool Alarm will sense that there are no longer people swimming. The unit will enter the ambient detect mode for 8 to 14 minutes and will then automatically turn ON.

Using the Wireless Keypad:

Press the “SWIM” button and enter in the code. The Wireless keypad buttons will briefly illuminate and the Light Bar will flash when the signal is sent. You will hear 3 short beeps and both LED indicators on unit will turn Green and flash approximately every 3 seconds. The Pool Alarm will enter the swim mode.

Using the Wireless Remote Controller:

Press and hold “SWIM” for 3 seconds. The LED on the Wireless remote controller will momentarily flash green. You will hear 3 short beeps and both LED indicators on the unit will turn Green and will Flash approximately every 3 seconds. The Pool Alarm will enter the swim mode.

The minimum duration of swim mode is 30 minutes, starting from the unit being set at swim mode to automatic change to armed mode.

In swim mode, the unit will keep extending its swim mode duration persistently as long as continuous wave intensity of water action has been detected. As a result, the unit is likely to be set at swim mode for a long time. When you have finished swimming, there are no waves on the pool. We suggest that user switch the mode to “ON” manually using wireless keypad or Wireless remote controller and wait for the elapse of ambient environment detection, so that the system will enter the armed mode.

MUTE

The MUTE feature can be used to silence an alarm condition and can be initiated using the Wireless Keypad or the Remote Controller.

Using the Wireless Keypad

Press the “MUTE” button and enter in the code. The Wireless keypad buttons will briefly illuminate and the Light Bar will flash when the signal is sent. You will hear 1 short beep as a response.

Using the Wireless remote controller

Press the "MUTE" button. The LED on the remote controller will momentarily flash green. You will hear 1 short beep as a response.

Once the alarm is disarmed, it is recommended that reset the mode to the desired one or the mode will switch to armed mode directly.

LEARNING THE ID CODE

In order to prevent any unauthorized attempt to operate or disarm your system, you must configure your system to accept radio signals only from your own system devices.

Firstly, have the Pool Alarm and the Siren & Strobe learned the ID code with each other. Secondly, have the Pool Alarm and the Wireless Keypad learned the ID code. Thirdly, have the Pool Alarm and Wireless Remote Controller learned the ID code. This may ensure correct operation among the units. **So, please follow strictly the sequences as mentioned below:**

Note: Please refer to Quick guideline if no id code learned.

Pool Alarm and Siren & Strobe





1. Press and hold the learning key more than three seconds on the Pool Alarm. The top indication light will turn orange and flash, which implies the unit enters the ID code learning mode.
2. Press the learning key on the Siren & Strobe for more than 3 seconds, during which continuous beeps will be underway while the green LED will be on.
3. If learning the ID code is successful, the Siren & Strobe will end up with a medium beep and the green LED will be changing from on to off, while the Pool Alarm will beep once as a confirmation without flashing the orange indication light

If failed, the Siren & Strobe will initiate three rapid beeps as a notification.

Note: When putting the Siren & Strobe into use without any ID code being memorized or clearing all of the preset ID codes, the orange LED will flash at 2 seconds interval and emit short beep at about 10 seconds interval.

Pool Alarm and Wireless Keypad

1. Press and hold the learning key more than three seconds on the pool alarm. The top indication light will turn orange and flash, which implies the unit enters the ID code learning mode.

2. Press     on the Wireless Keypad
Administrator password

Enter 

3. If learning the ID code is successful, the LED of function key on Wireless Keypad will light for 3 seconds. Meanwhile, the Pool Alarm will beep once as a confirmation without flashing the orange indication light. If failed, all 0~9 number buttons will flash 3 times simultaneously.

Pool Alarm and Wireless Remote Controller

1. Press and hold the learning key more than three seconds on the pool alarm. The top indication light will turn orange and flash, which implies the unit enters the ID code learning mode.
2. Press the "SWIM" button for more than 3 seconds until the green LED of the Remote Controller flashes. It implies that the Remote Controller enters ID code learning mode.
3. A 30-second countdown will start. If the ID code has been learned within 30 seconds by the Pool Alarm successfully, the LED of the Remote Controller will be on before exit the learning mode.
4. The Pool Alarm will reply a medium beep as confirmation of learning successfully.

If failed, the LED of the Remote Controller will flash three times rapidly before exit the learning mode.

Note: The Remote Controller owns only one ID code to be learned by the Pool Alarm.

CLEARING THE PRESET ID CODE

Pool Alarm

Press and hold the learning key on the Pool Alarm for more than 3 seconds and release, then press the learning key again for 6 seconds will clear the preset ID code. 1 beep can be heard as an acknowledgement.

Note: If you do not keep pressing for six seconds and release, it will fail to clear code, please restart the procedure.

Siren & Strobe

Press the learning key on the Siren & Strobe for more than 3 seconds and release. Within 30 seconds, press the learning key again for more than 6 seconds, during which medium beeps can be heard while the green LED is on steadily. A long beep with the green LED being off represents the clearance of all of the preset ID codes.

If failed, three rapid beeps will be emitted from the Siren & Strobe as a notification.

Wireless Keypad

If it is not necessary to use the Wireless Keypad for operation, reset the administrator password to factory default by proceeding with the steps as shown on page 8.

Wireless Remote Controller

No need to clear code.

QUICK GUIDELINE FOR LED INDICATION AND BEEP SOUND ON THE POOL ALARM





Mode	Status
System on / System off / Enter swim mode	Continuous 3 short-beep
Ambient environment detection	Red flashing LED (0.2 second on, 0.4 second off)
Swim mode	Green flashing LED (0.3 second on, 2.3 second off)
Enter armed mode	Continuous beep for 3 second with red illuminating LED
Armed mode indication	Red illuminating LED 0.2 second at 10 second interval
Strong wind indication	Top LED illuminate orange, bottom LED illuminate (red & green) 0.2 second at 10 second interval and beep 0.2 second at 30 second interval
Low battery indication (under armed mode)	Beep 0.5 second and illuminating LED 0.5 second at 30 second interval
Learning the ID code period	Top LED slow flashes orange, beeps once every 3 seconds
Alarm activation	Red illuminating LED
No ID code	<ul style="list-style-type: none"> • Short-beep at 10 seconds interval repeatedly • Top LED flashes orange, bottom LED flash (red & green)repeatedly

QUICK GUIDELINE FOR LED INDICATION AND BEEP SOUND ON THE SIREN & STROBE

Mode	Status
Press learning key for more than 3 seconds to enter ID code learning mode	<ul style="list-style-type: none"> • 3 short-beep and one medium beep in the end • Green illuminating LED for 3 seconds
Learning the ID code period	<ul style="list-style-type: none"> • Intermittent short-beep repeatedly • Green flashing LED repeatedly
Successful learning the ID code	<ul style="list-style-type: none"> • Medium beep once • Green illuminating LED then off
Failed to learn the ID code	<ul style="list-style-type: none"> • 3 intermittent short-beep • Green flashing LED 3 times
Press learning key again for 6 seconds to	<ul style="list-style-type: none"> • Short beep intermittently for 6 seconds

clear the preset ID code	<ul style="list-style-type: none"> • Green illuminating LED for 6 seconds
Successful clearing the preset ID code	<ul style="list-style-type: none"> • Long beep once
Failed to clear the preset ID code	<ul style="list-style-type: none"> • 3 intermittent short-beep • Green flashing LED 3 times

QUICK GUIDELINE FOR LED INDICATION ON THE WIRELESS KEYPAD

Keypad Status	Success	Failure
 Turning off the pool alarm	back light 0~9 extinguish	back light 0~9 flashing 3 times
 Turning on the pool alarm	back light 0~9 extinguish	back light 0~9 flashing 3 times
 Swim mode	back light 0~9 extinguish	back light 0~9 flashing 3 times
 Mute	back light 0~9 extinguish	back light 0~9 flashing 3 times
Pressing any key or function key	back light 0~9 will be on	
Learning the ID code mode	back light 0~9 extinguish and 4 function keys illuminate simultaneously for 1 second	back light 0~9 flashing 3 times

Warning:

Strong wind indication:

When the Pool Alarm is under armed mode detection, the wave pattern of water action may be intensified resulted from strong wind or other interference. For security concerned, the Pool Alarm will be converted to strong wind indication automatically which will be shown from the LED light of Siren & Strobe flashing for 30 seconds and beeping every 3 second for 10 times. Meanwhile, Pool Alarm will beep every 30 seconds and the top LED will light orange, the bottom LED will light red & green until the strong wind mode is ended. To turn off the Pool alarm whenever it rains or blows strongly is recommended so as to conserve battery power and maximize the battery life. In the presence of strong winds, or very bad weather, the Pool Alarm will not be able to carry out correct detection.

GENERAL SWIMMING POOL SAFETY GUIDELINES

- The safety of your children depends only on you! The risk is maximum when the children have less than five years. The accident does not arrive only at the others! Be ready to face there!

- Supervise and act :

- the monitoring of the children must be brought closer and constant;
- designate only one person in charge for safety;
- reinforce the monitoring when there are several users in the swimming pool;
- learn how to swim with your children as soon as possible;
- wet nape of the neck, arm and legs before entering water;
- learn the gestures which save and especially those specific to the children;
- prohibit the dive or the jumps in the presence of young children;
- prohibit the sharp race and plays with the accesses of the swimming pool;
- do not authorize the access to the swimming pool without waistcoat or life jacket for a child not knowing well to swim and not accompanied in water;
- do not leave toys in the vicinity and in the basin which is not monitored;
- permanently maintain a water limpid and healthy;
- store the pesticides of water out of the range of the children;
- certain systems of stroke with against current do not allow the automatic reactivation of the system of detection of immersion;
- certain robots of cleaning of plunger the robots type are incompatible with the systems of detection of immersion;
- in order to prevent the access to the basin with the children of less than five years at the time of the release of the signal of failure, to take all measurements necessary until repair.

- envisage:

- accessible telephone close to the basin not to leave your children without monitoring when you telephone;
- buoy and pole near the basin;
- permanent information that the basin and its accesses are under electronic monitoring,

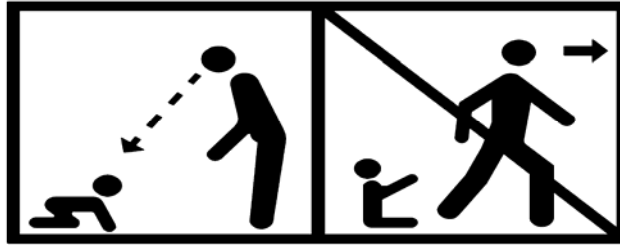
- only the change of the piles, batteries is authorized, and fuses, which must be done at the beginning of season;

- in the event of accident:

- as soon as possible leave the child water;
- call help immediately and take the advice which will be given to you;
- replace the clothes wet by hot covers;

- to memorize and post close to the swimming pool the numbers of first aid:

- firemen: (18 for France);
- SAMU: (15 for France);
- poisons centre.



MAINTAINING THE POOL ALARM

REPLACING THE BATTERIES

Replace the batteries whenever a low battery is indicated (see page 18 for a description of the low battery indication). Be sure to turn the unit off whenever replacing the batteries.

SPECIAL CONSIDERATIONS DURING WINTER

The unit will not operate if the water in your pool becomes frozen. Additionally, allowing water to freeze in the tube can damage the unit's sensing mechanism.

If your pool is located in an area where freezing normally occurs and you do not intend to maintain your pool in a heated state throughout the winter season, you should remove the unit before freezing occurs. Store the unit indoors and re-install when the water has thawed.

Be sure to remove the batteries from the unit when placing it in storage for a prolonged period. Corrosion may occur if the batteries are left in the unit during storage.

PERIODIC TESTING

It is recommended that the unit be tested on quarter basis. Before testing, prepare the following test simulator.

- Fill a 2.5-gallon (11.3 liter) water container with enough water to weigh approximately 18 pounds (8kg).
- Tie a 6-foot (1.8meter) length of rope to the container handle .

Follow the steps in sequence as mentioned below for testing:

- Re-turning on the unit will initiate the system, of which operation is referred to page 13 "TURNING ON THE POOL ALARM".
- Hold the rope, and roll the test simulator into the pool.
- Wait a moment for the unit to generate a full alarm condition.

If an alarm condition has not been occurred, refer to troubleshooting for resolution.

TROUBLESHOOTING

Symptom	Possible Cause	Recommendation
Upon power being connected, the Pool Alarm cannot enter armed mode directly	Batteries were not fitted properly or reverse battery polarity	Remove and refit the batteries
LED indicator not working on the Pool Alarm	LR20 batteries or rechargeable battery are not connected properly	<ol style="list-style-type: none"> 1. Remove and refit the batteries or replace batteries 2. Call to local service for repair
Low battery indication	Run out of battery power	Replace LR20 batteries
Wireless keypad (SA802) cannot control solar-powered wireless pool alarm	Failed to learn the ID code	<ol style="list-style-type: none"> 1. Resume ID code learning process 2. Clear the preset ID code and resume ID code learning process
Abnormal activation	Tube is not saturated by enough water level	<ol style="list-style-type: none"> 1. Reallocate the mounting position of the unit 2. Add an extra tube 3. Add much water to the pool thus enhancing water level
LED indicator not working on the Siren & Strobe	Did not fit the batteries or insufficient battery level	Check if the batteries are fitted or replace new batteries
	The unit is out of order	Send the unit for repair, do not open up the casing of the unit
Siren & Strobe's LED indicator working, but cannot learn the ID code or cannot control	Failed to learn the ID code between the Pool Alarm and Siren & Strobe	Check if the initial installation of the Pool Alarm had been cleared the preset ID code. According to the operating manual of Pool Alarm, resume the ID code learning procedure.
	Interfered by radio frequency. Someone might transmit 923MHz adjacently.	Wait for a while to retry
Siren & Strobe cannot be controlled by the Pool Alarm	Failed to learn the ID code between the Pool Alarm and Siren & Strobe	Check if the initial installation of the Pool Alarm had been cleared the preset ID code. According to the operating manual of Pool Alarm, resume the ID code learning procedure.
	Too far distance	Relocate mounting location between the Pool Alarm and Siren & Strobe
Siren & Strobe Abnormal Alarm	RF Jamming	Remove AJ Jumper to disable the

		function / Eliminate the RF interference
Press key on the Keypad, LED no reaction	Low battery	Replace a new battery
	Batteries were not fitted properly or reverse battery polarity	Remove and refit the battery with correct polarity
The connected wireless pool alarm not working	Failed to learn the ID code between the Pool Alarm and Keypad	Proceed with learning the ID code
		Ensure correct operation of learning the ID code
Wireless Remote Controller cannot control the Pool Alarm	Too far distance Low battery	Ensure the distance within 50Meter. Replace a new battery

SPECIFICATIONS

Model No.	ST113 Solar-powered Wireless Pool Alarm	
Item		
Siren	Twin piezo siren	
Siren Output	110 dB / 1 meter	
Effective Pool Alarm Dimension	16' x 32', subject to Min. 8 kgs (18 pounds) object being fallen	
Operating Power	6 VDC	
Power Supply	Solar panel with Ni-MH AA 6V rechargeable battery and 1.5V x 4 alkaline battery LR20	
Frequency	923 MHz Transceiver (USA)	
Working Range	Above ground pool at 36 inch height above the ground	
Protection Degree	IPX5	
Operating Temperature	0°C ~ 45°C	
Safety	NF P90-307 A1(France) / CE/FCC/ASTM (USA)	
Model No.	SA802 Wireless Keypad	
Item		
Battery Type	AA 1.5V alkaline battery x 3	
Operating Frequency	923 MHz	
Communication Range	Up to 50m (150 feet) in open space	
Safety	FCC	
Model No.	SE802 Siren & Strobe	
Item		
Battery or Adapter Type	1.5V x 4 alkaline / LR14 type or 6VDC	
Operating Frequency	923 MHz	
Communication Range	Up to 50m (150 feet) in open space	
Safety	FCC	

Model No.	SR 803-2 Wireless Remote Controller
Item	
Battery Type	CR2032 3V/230mAh
Operating Frequency	923MHz
Communication Range	Up to 50m (150 feet) in open space
Safety	FCC

***Specifications are subject to change without prior notice.**

ASTM



A501111093R

Federal Communication Commission Interference Statement

This equipment has been tested and found to comply with the limits for a Class B digital device, pursuant to Part 15 of the FCC Rules. These limits are designed to provide reasonable protection against harmful interference in a residential installation. This equipment generates, uses and can radiate radio frequency energy and, if not installed and used in accordance with the instructions, may cause harmful interference to radio communications. However, there is no guarantee that interference will not occur in a particular installation. If this equipment does cause harmful interference to radio or television reception, which can be determined by turning the equipment off and on, the user is encouraged to try to correct the interference by one of the following measures:

- Reorient or relocate the receiving antenna.
- Increase the separation between the equipment and receiver.
- Connect the equipment into an outlet on a circuit different from that to which the receiver is connected.
- Consult the dealer or an experienced radio/TV technician for help.

This device complies with Part 15 of the FCC Rules. Operation is subject to the following two conditions: (1) This device may not cause harmful interference, and (2) this device must accept any interference received, including interference that may cause undesired operation.

FCC Caution: Any changes or modifications not expressly approved by the party responsible for compliance could void the user's authority to operate this equipment.

WARNING:

Do not dispose of electrical appliances as unsorted municipal waste, use separate collection facilities.

Contact your local government for information regarding the collection systems available.

If electrical appliances are disposed of in landfills or dumps, hazardous substances can leak into the groundwater and get into the food chain, damaging your health and well-being.

When replacing old appliances with new ones, the retailer is legally obligated to take back your old appliance for disposal at least for free of charge.

WARRANTY

1) Warranty period:

2 years as from the date of purchase (the sales slip or the purchase invoice will have to be provided for the execution of the guarantee).

Please complete the Exhibit-A form and send it back for your product registration.

2) Conditions of the guarantee:

- Without damage of the legal guarantee, the products are recognized provided in good operating condition, without apparent defect and are guaranteed if they are used according to the instructions contained in the Instruction manual.

- The guarantee comprises the following services:

- ✓ A helpline : help with the installation, parameter setting, brought into service and resolution of breakdowns not requiring the return of the material in workshop
- ✓ RMA (Repair in workshop) by repairing or standard exchange of the returned defects items.

- The guarantee does not cover:

- ✓ transport charges as well as the expenses related with an intervention in residence.
- ✓ Claws, stripes, glares and/or imprint etc... not noted with the delivery
- ✓ Breakable accessories except manufacturing defect recognized by our engineering departments,
- ✓ Batteries

- The contractual guarantee does not apply in the event of:

- ✓ Not respect of the instructions of installation;
- ✓ Abnormal Use of the products like use or incorrect connection;
- ✓ Damage due to shocks of any origin;
- ✓ Damage due to fire, sets fire to, penetration of liquid or solid substances;
- ✓ Damage due to an overload, the lightning;
- ✓ Damage due to a modification or intervention carried out by any unauthorized person by HZE;
- ✓ Damage due to a natural disaster, floods or vandalism.

CONTACT US

Please feel free to write or call us with your comments or questions at the address below.

Everspring Tech USA, INC
3200 Wilshire Blvd. South Tower, STE# 1730
Los Angeles, CA. 90010
Tel: (626) 698-1898, Fax: (626) 956-0600

Email: steve_chang@everspring.com

EXHIBIT –A–

PLEASE TAKE THE TIME TO COMPLETE YOUR DETAILS BELOW AND RETURN

With a proof of buying (Invoice or bill)

To :

Via email :

customerservice@everspringamerica.com

Via courier :

3200 Wilshire Blvd. South Tower, STE# 1730
Los Angeles, CA. 90010
Tel: (626) 698-1898, Fax: (626) 956-0600

Customer			
Title (Mr/Ms)	First Name	Middle Initial	Last Name
_____	_____	_____	_____
Address			

Zip Code	City	Country	
_____	_____	_____	
Email			

Telephone (area code)	Fax (area code)		
()	()		—

Retailer	
Name	Date of purchase
_____	_____
City	Country
_____	_____
Model No	S/N
_____	_____
P/N	
