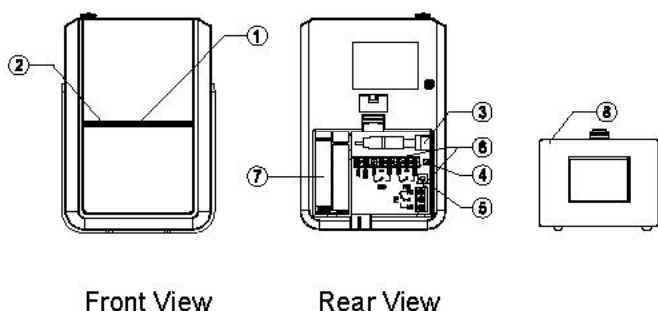


Wireless Universal Bridge SA808

PRODUCT LAYOUT



- ① Green LED
- ② Red LED
- ③ DC Jack
- ④ Red LED (learn & clear ID code)
- ⑤ Learning key
- ⑥ Terminal block
- ⑦ Battery compartment
- ⑧ Rear cover

INTRODUCTION

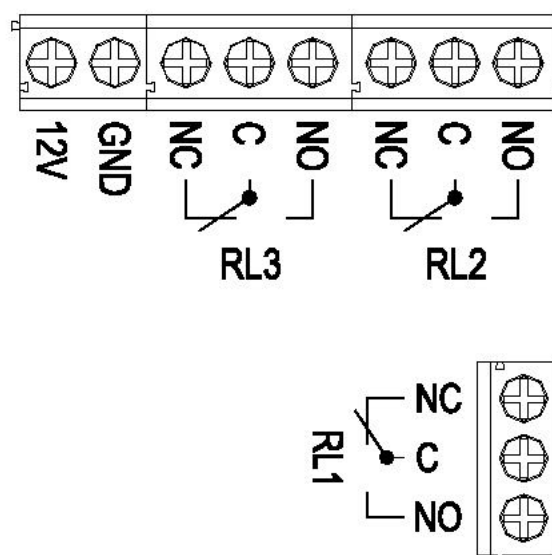
The universal bridge is designed for use between our Unet product series and devices of other brand, serving as a receiver. For instance, when Pool Alarm system detects unwanted intrusions into swimming pools, the universal bridge will receive RF signal from indoor siren SE802 and then enable the external connected devices to take proper action.

The universal bridge adopts 4 AAA size 1.5V alkaline batteries as back-up. In the front cover, it incorporates two LEDs – green and red. When batteries are first applied, the green LED will be on steadily. When battery level drops to a defined low value, the green LED will flash. When this occurs, replace the batteries as soon as possible. Upon receipt of radio signal that

enables relay 1, 2 or 3 to trigger, the red LED on the front cover will be on once as a notification.

EXTERNAL CONNECTIONS

The universal bridge includes terminal blocks for connection of wired zone of other products for operation, emitting three different kind of radio signal.



Description of the terminals:

| Terminal | Function | |
|----------|-----------------------------------|-------------------------------|
| 12V | Input of the power supply | |
| GND | Negative pole of the power supply | |
| RL3 | NC | Normally closed relay contact |
| | C | Common relay contact |
| | NO | Normally open relay contact |
| RL2 | NC | Normally closed relay contact |
| | C | Common relay contact |
| | NO | Normally open relay contact |
| RL1 | NC | Normally closed relay contact |
| | C | Common relay contact |
| | NO | Normally open relay contact |

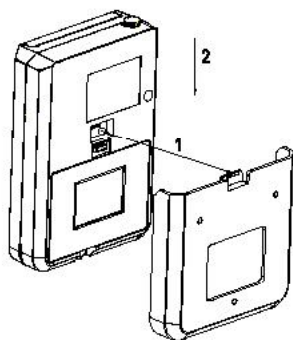
Upon receipt of radio signal from indoor siren SE802 triggered by Pool Alarm system, the terminal block of relay 1 will be activated, enabling the external connected device to take proper action. Relay 2 will be activated when Door Alarm is triggered, whereas relay 3 will be activated when Gate Alarm is triggered.

When receiving radio signal of any corresponding product resulted in the activation of relay 1, 2 or 3, the red LED on the front cover will be on once.

INSTALLATION

The universal bridge is designed for indoor use only.

1. Remove the wall bracket and rear cover in sequences.
2. Connect the terminal block of relay 1, 2 and 3 to the corresponding external devices as desired.
3. Connect the terminal block of 12V / GND to the power output of corresponding external devices.
4. Fit 4 AAA size 1.5 alkaline batteries to the battery compartment.
5. Place the rear cover to the battery compartment.
6. Engage the unit to the wall bracket supplied.



LEARNING & CLEARING ID CODE

In order to prevent any unauthorized attempt to operate or disarm your system, the universal bridge must learn the code from the transmitter for the system to operate correctly.

To learn ID code, press and hold the learning key more than 3 seconds and then release immediately so as to enter learning mode. 30-second countdown will start during which the red LED will be flashed at 1 second interval. If code learning is successful, the red LED will be on shortly then off. If failed, the red LED will flash rapidly three times.

To clear ID code, press and hold the learning key more than 3 seconds and then release immediately so as to enter learning mode. 30-second countdown will start during which the red LED will be flashed at 1 second interval. Press and hold the learning key again more than 6 seconds within 30-second countdown. If ID code is cleared, the red LED will flash once every 2 seconds repeatedly, representing no ID code.

SPECIFICATIONS

| | |
|-----------------|--------------------------------|
| Back-up Battery | 1.5V AAA alkaline battery x 4 |
| Range | Up to 200 meters line of sight |
| Frequency Range | 923 MHz |

**Specifications are subject to change without prior notice.*



A501111540R

WARNING:

Do not dispose of electrical appliances as unsorted municipal waste, use separate collection facilities.

Contact your local government for information regarding the collection systems available.

If electrical appliances are disposed of in landfills or dumps, hazardous substances can leak into the groundwater and get into the food chain, damaging your health and well-being.

When replacing old appliances with new once, the retailer is legally obligated to take back your old appliance for disposal at least for free of charge.

This device complies with Part 15 of the FCC Rules. Operation is subject to the following two conditions: (1) This device may not cause harmful interference, and (2) this device must accept any interference received, including interference that may cause undesired operation.

FCC Caution: Any changes or modifications not expressly approved by the party responsible for compliance could void the user's authority to operate this equipment.

This transmitter must not be co-located or operating in conjunction with any other antenna or transmitter.