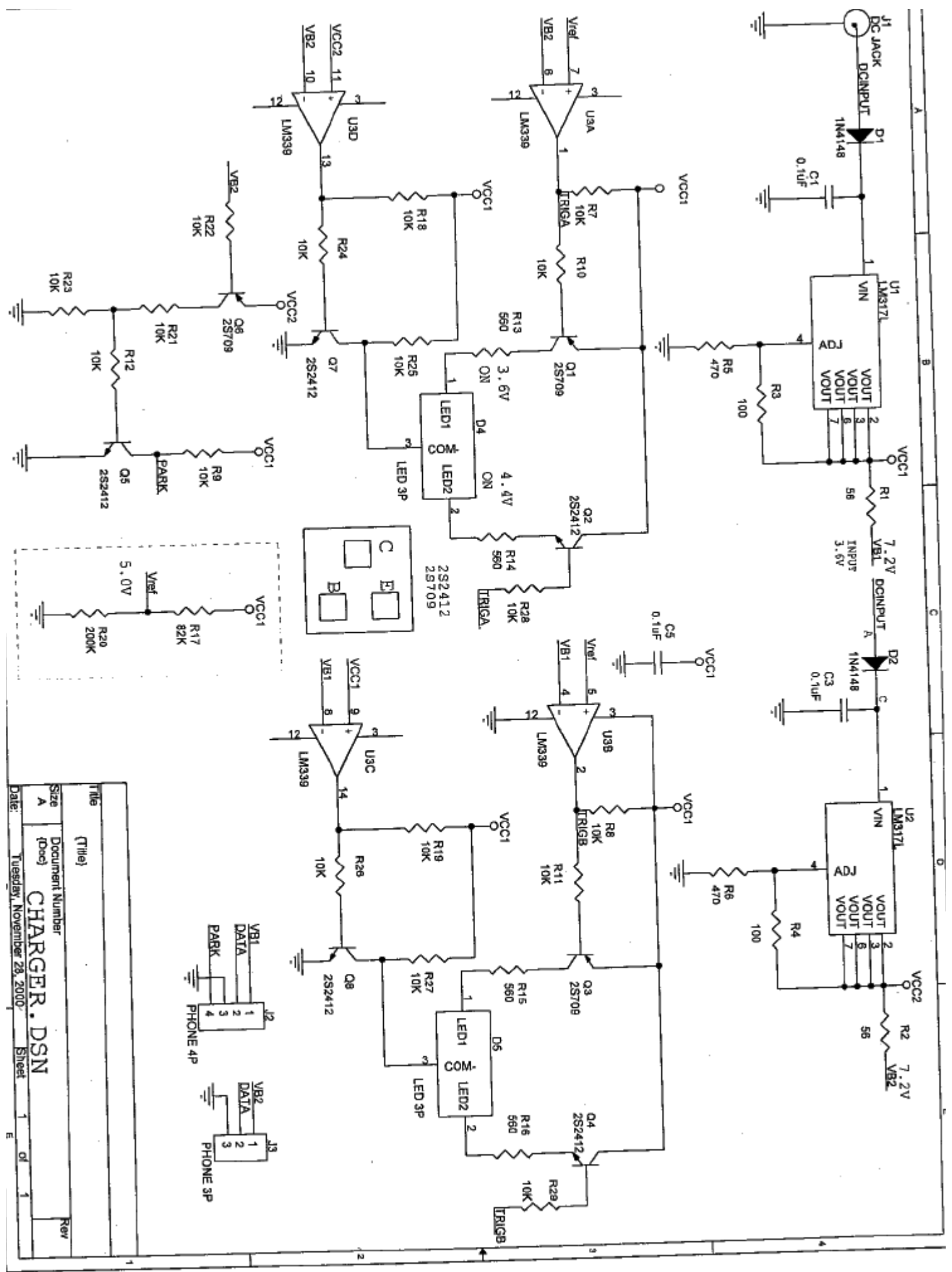
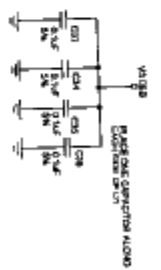
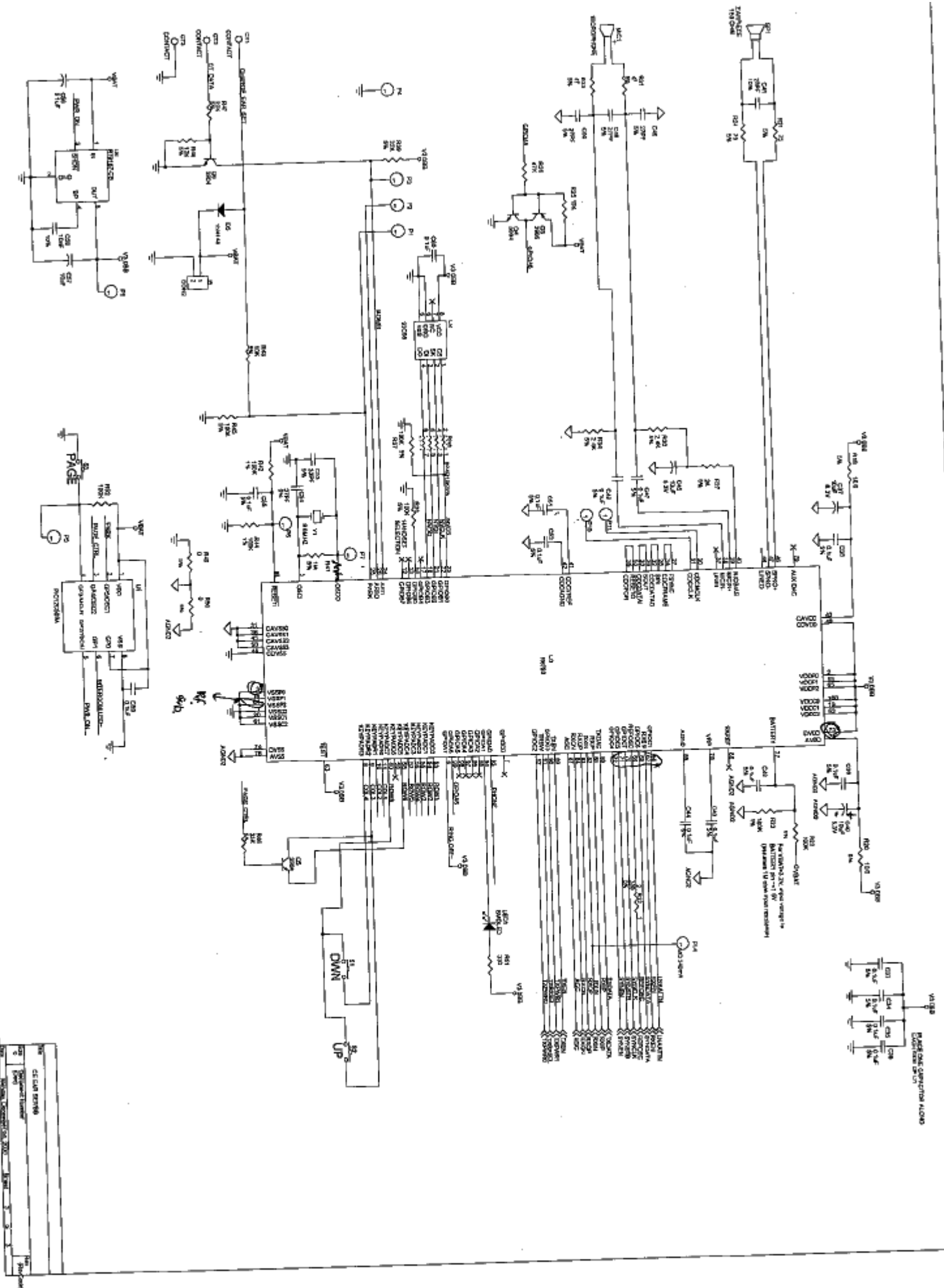


EXHIBIT D

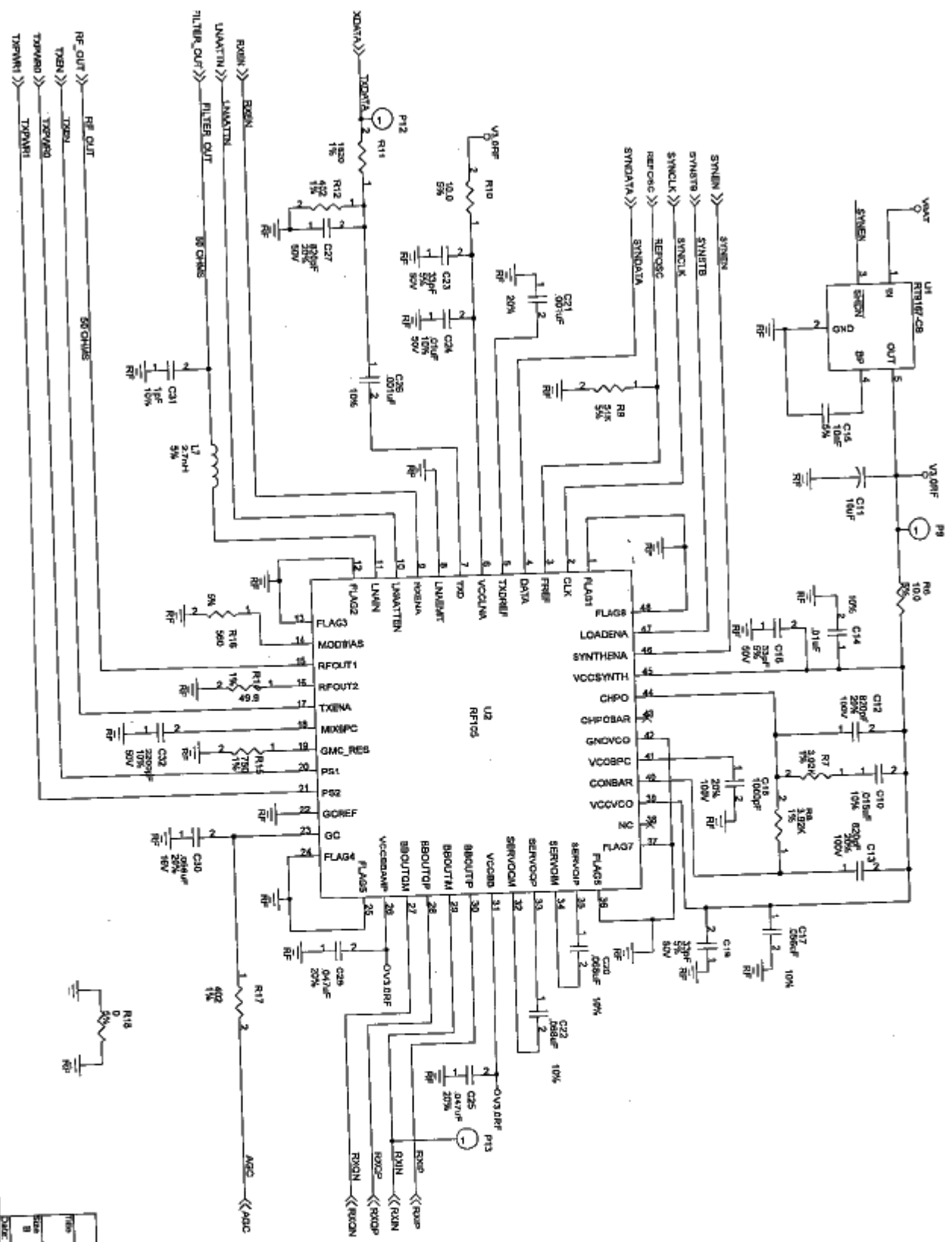
Circuit Diagram



File	(Title)
Size	Document Number
A	CHARGER.DSN
Date:	Tuesday, November 28, 2000
Sheet	1 of 1
Rev	

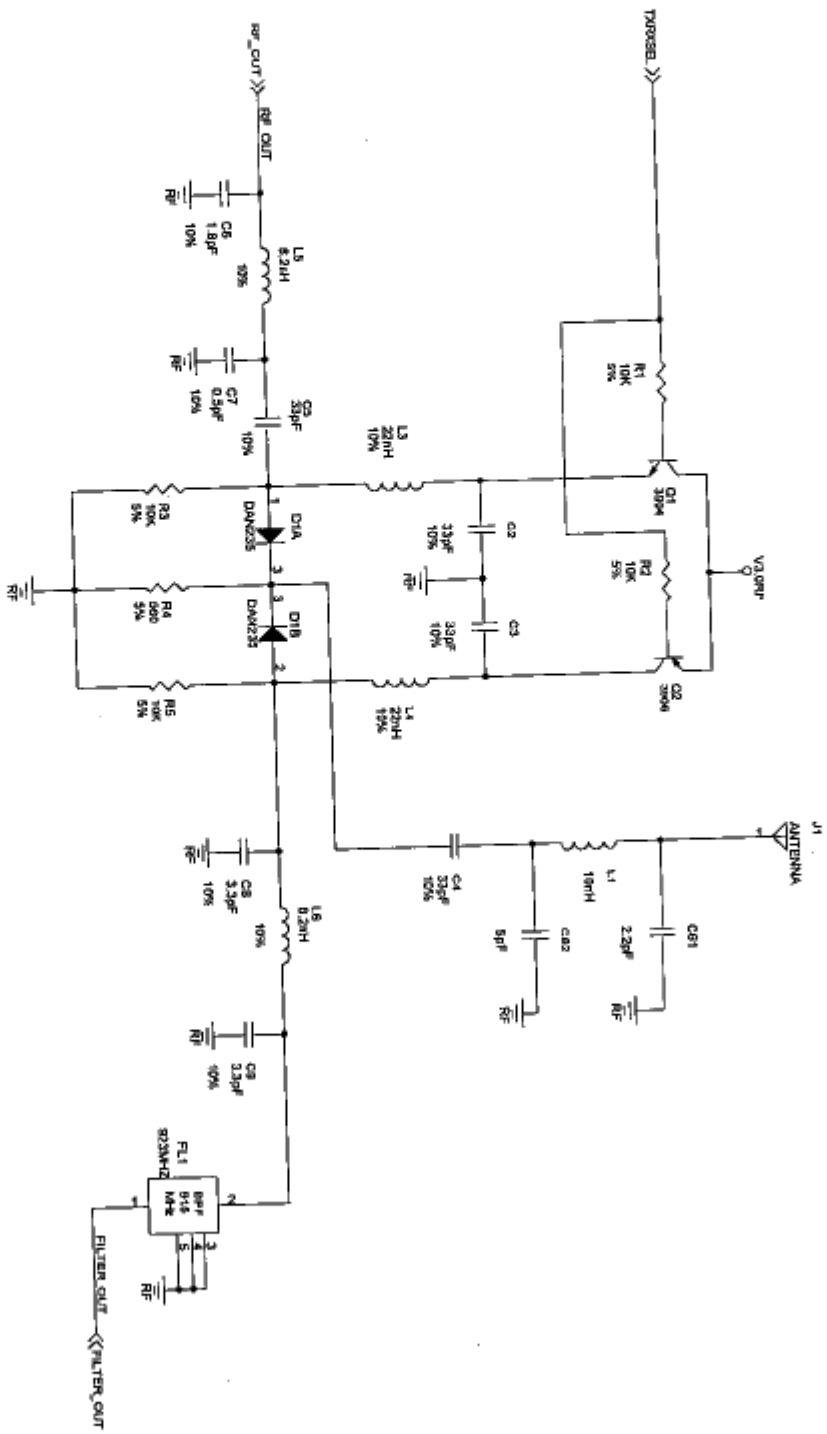


NO.	DESCRIPTION
1	6X4 VACUUM TUBE
2	6AV6 VACUUM TUBE
3	500MA 2.5V REGULATOR
4	1.5V BATTERY
5	VARIABLE CAPACITOR
6	SPEAKER
7	VOLUME KNOB
8	TUNING KNOB
9	POWER SWITCH
10	RESISTORS
11	CAPACITORS
12	TRANSFORMER
13	DIODE
14	INDUCTOR
15	RELAY
16	COIL
17	SWITCH
18	CONNECTOR
19	WIRE
20	OTHER



File	CE LAN SET#2
Size	Document Number
B	(Doc)
Date	March, December 04, 2000
Sheet	3 of 3

REV (Rev/Date)



Doc	CE ENK SET/RF/1
Doc B	Document Number
Doc B (cont)	Friday, November 24, 2000
Sheet	1 of 3
Rev	(Rev/Code)