

EVERSPRING INDUSTRY CO., LTD.

6th fl. 609 Wan Shou Road Sec. 1, Kweishan, Taoyuan Hsieh 333, Taiwan, R.O.C.

TEL: 886-2-8200-0818 FAX: 886-2-8200-0919

FCC ID.: FU5CC128

FCC ID



The FCC ID & DoC Label will be placed on the equipment as shown in the photograph below.

FCC ID

SOLAR Camera Model No.: CC128	
FCC ID : FU5CC128	
This device complies with Part 15 of the FCC Rules. Operation is subject to the following two conditions: (1) this device may not cause harmful interference and (2) this device must accept any interference received, including interference that may cause undesired operation.	
S/N:	Made in Taiwan

FCC DoC:

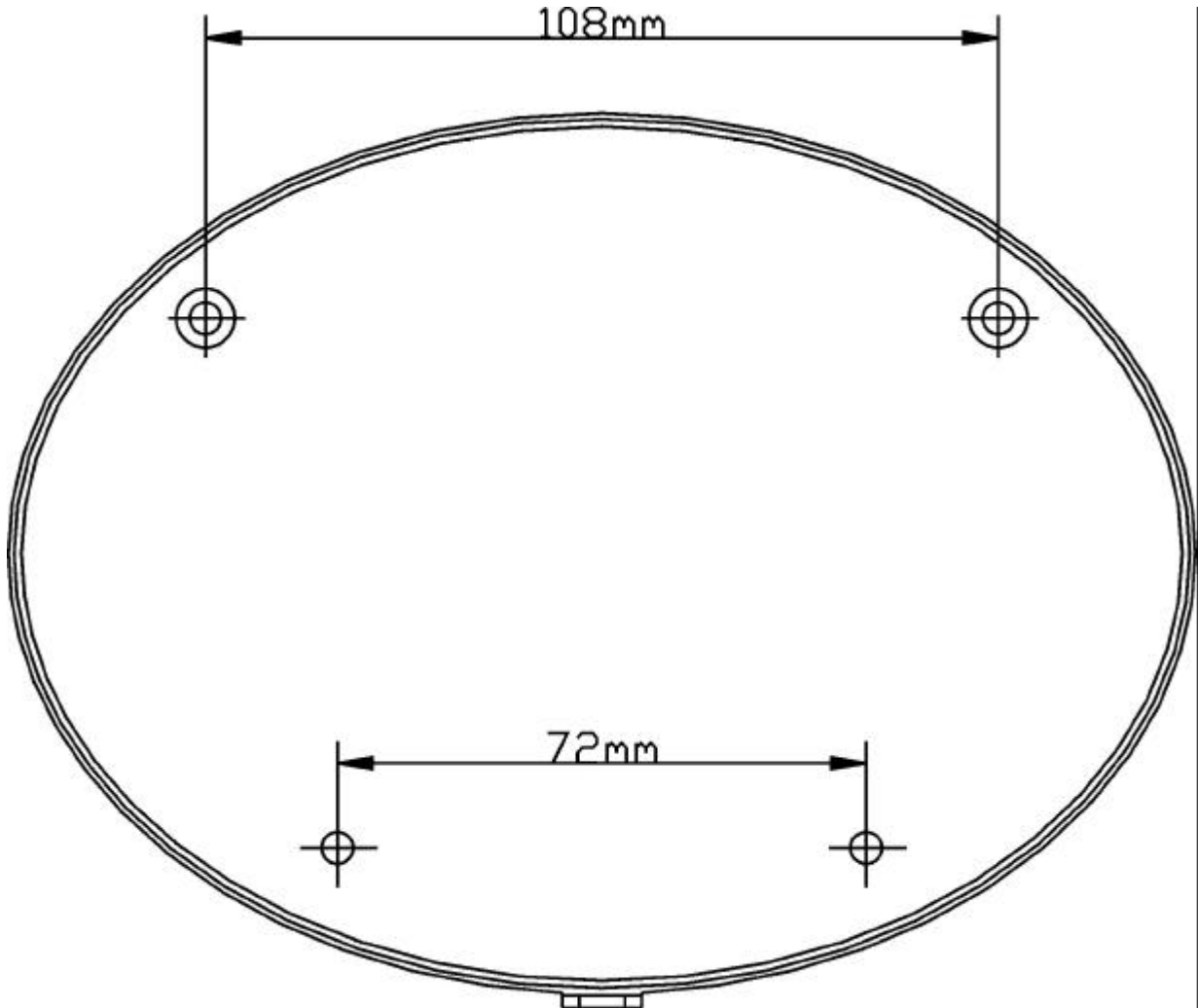
	EVERSPRING INDUSTRY CO., LTD.
	Model No.: CC128
	TESTED TO COMPLY
	WITH FCC STANDARDS
	FOR HOME OR OFFICE USE
S/N:	Made in Taiwan

SPECIFICATIONS

CC128		CA117	
Camera Type	CC128	Operating Frequency	2400-2483MHz (for 4 channels)
Picture Type	Color CMOS	Transmission Range	75m in open space
TV System	PAL/NTSC	Channel Selection Switch	4 positions for 1~4 selection
Sensitivity	3Lux@F1.2	Buzzer & Light Switch	3 positions for buzzer & light on / buzzer off/off
Lens Angle	78° Diagonal	Power Switch	2 positions for power on/ off
Lens	4.3mm F2.0	Triggered Buzzer & Light function	Build in
Camera Angle	Left & Right 90° \oplus 5°, Down 45°	Antenna Type	Rod
Microphone	Build in	AC Adapter	12VDC, 500mA AC adapter
Transmitting Frequency	2400~2483MHz (for 4 channels)	Connector	1 x RJ-45 for VCR Controller 1 x DC Jack for Power 3 x RCA Jack for triggered(red), audio(white), video(yellow)
Battery	1 x 9V back up battery, 1x 6V rechargeable solar battery		
Dwell Time Switch	4 positions for 10s/20s/30s/40s		
Power Supply Source	Solar Panel (110*160mm)		
Channel Switch	4 positions for 1~4 selection		
PIR Detect ion Distance/Angle	8M/90° (under 28°C)		

© 2002 Everspring Industry Co., All Rights Reserved

CE 06780 D/NL/F/E/B/S/CH



CB130/CC128 Drill Hole Drawing