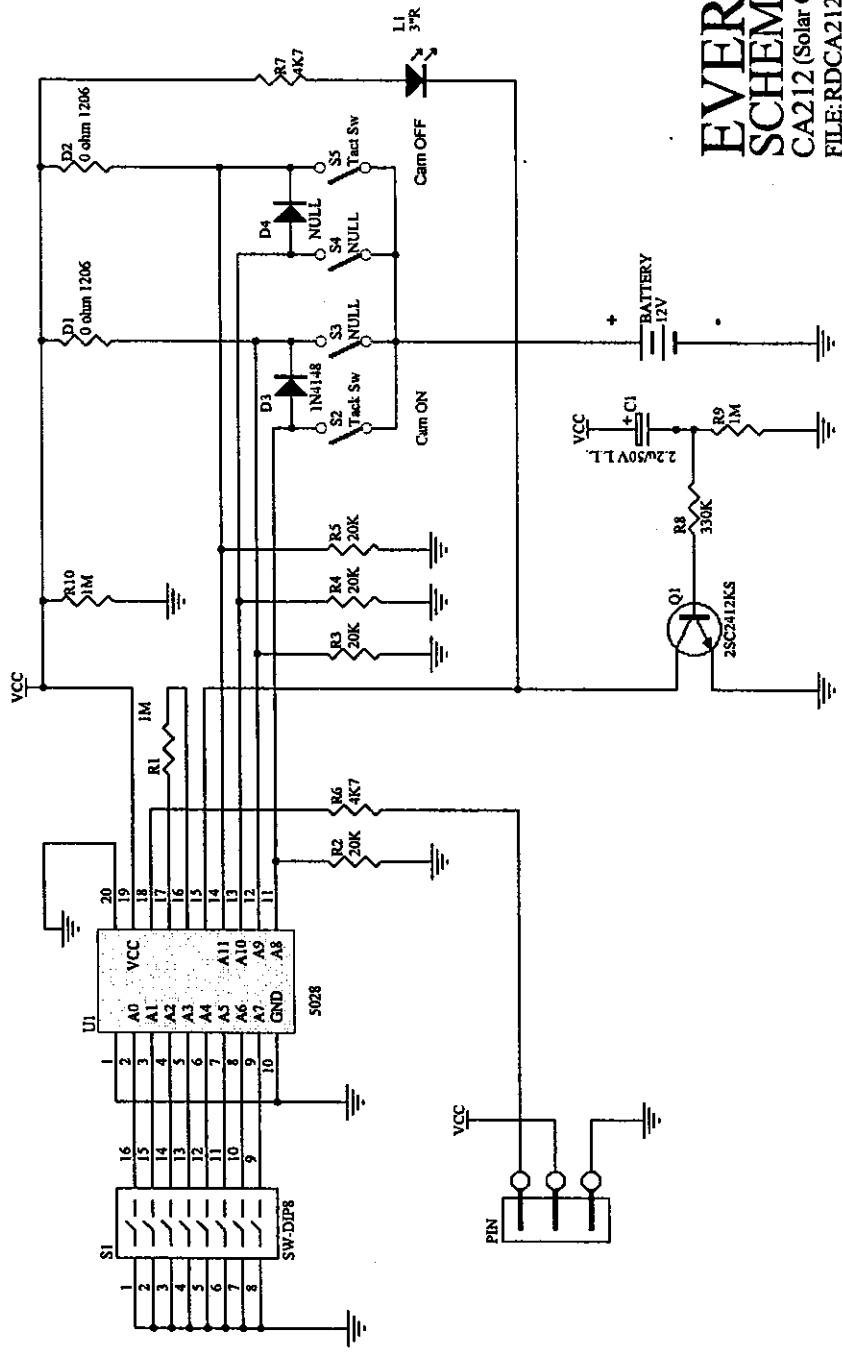


81A3A09

V1.01



**EVERSPRING  
SCHEMATIC DIAGRAM**

CA212 (Solar Cam Remote)

FILE:RDCA2121A2.sch

DATE:11-JUN-2004

(USE: PCHA51R1A.00)

|        |          |          |          |
|--------|----------|----------|----------|
| DRAWER | DESIGNER | EXAMINER | APPROVER |
| 王      | 林        | 周        | 周        |

V1c0



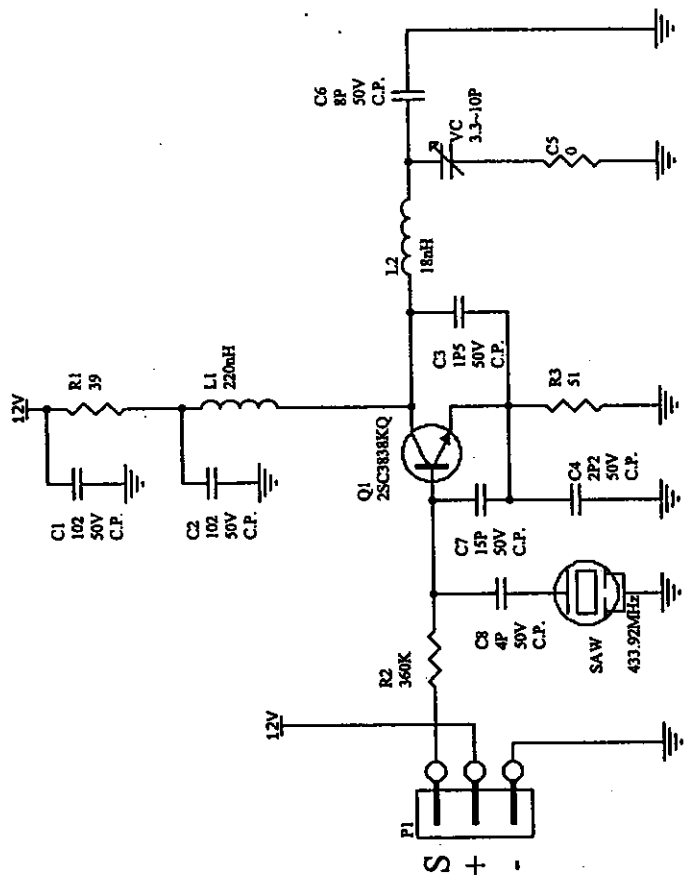
# EVERSPRING SCHEMATIC DIAGRAM

TX433

FILE: TX212CA1.SCH (DC 12V)

DATE: 21-AUG.2002 (USE PCTX4182A31)

|                |                    |                    |                    |
|----------------|--------------------|--------------------|--------------------|
| DRAWER         | DESIGNER           | EXAMINER           | APPROVER           |
| 91.8.21<br>賴欣堃 | <i>[Signature]</i> | <i>[Signature]</i> | <i>[Signature]</i> |



|       |                 |
|-------|-----------------|
| 使用機種  | 3階型號            |
| CA212 | 8TX212-0P1MK000 |