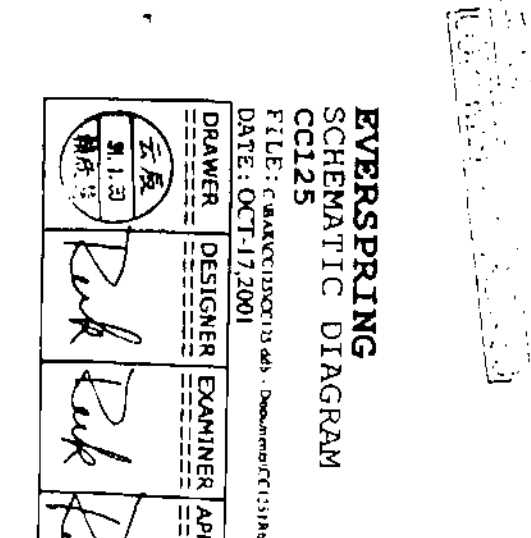
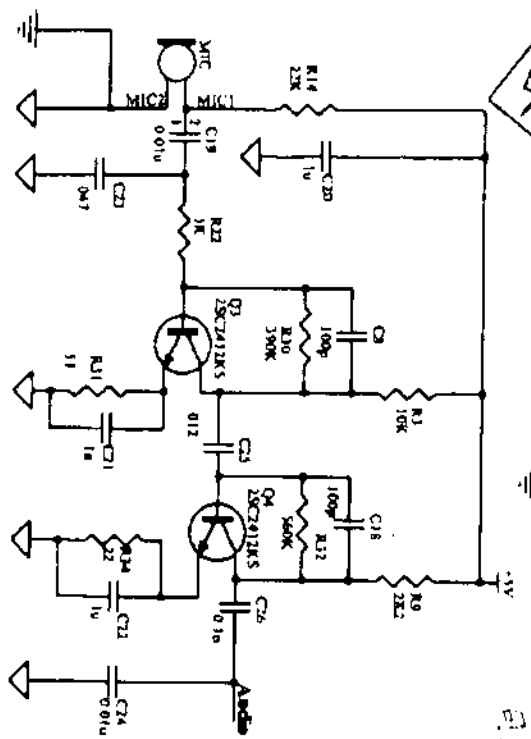
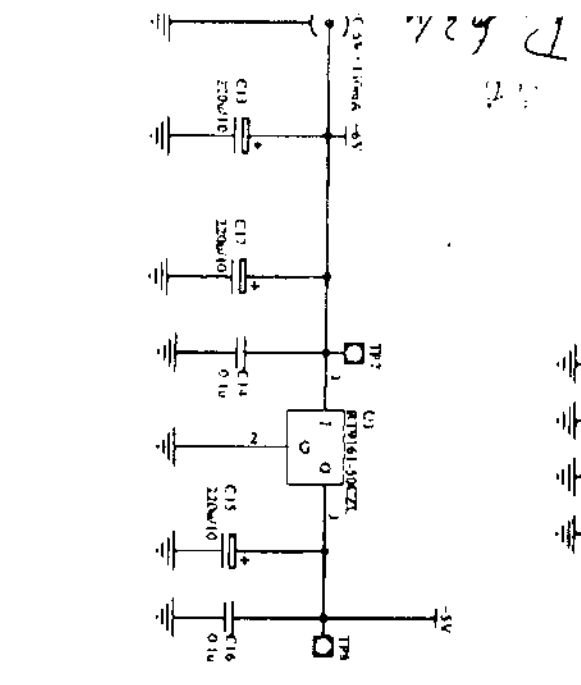


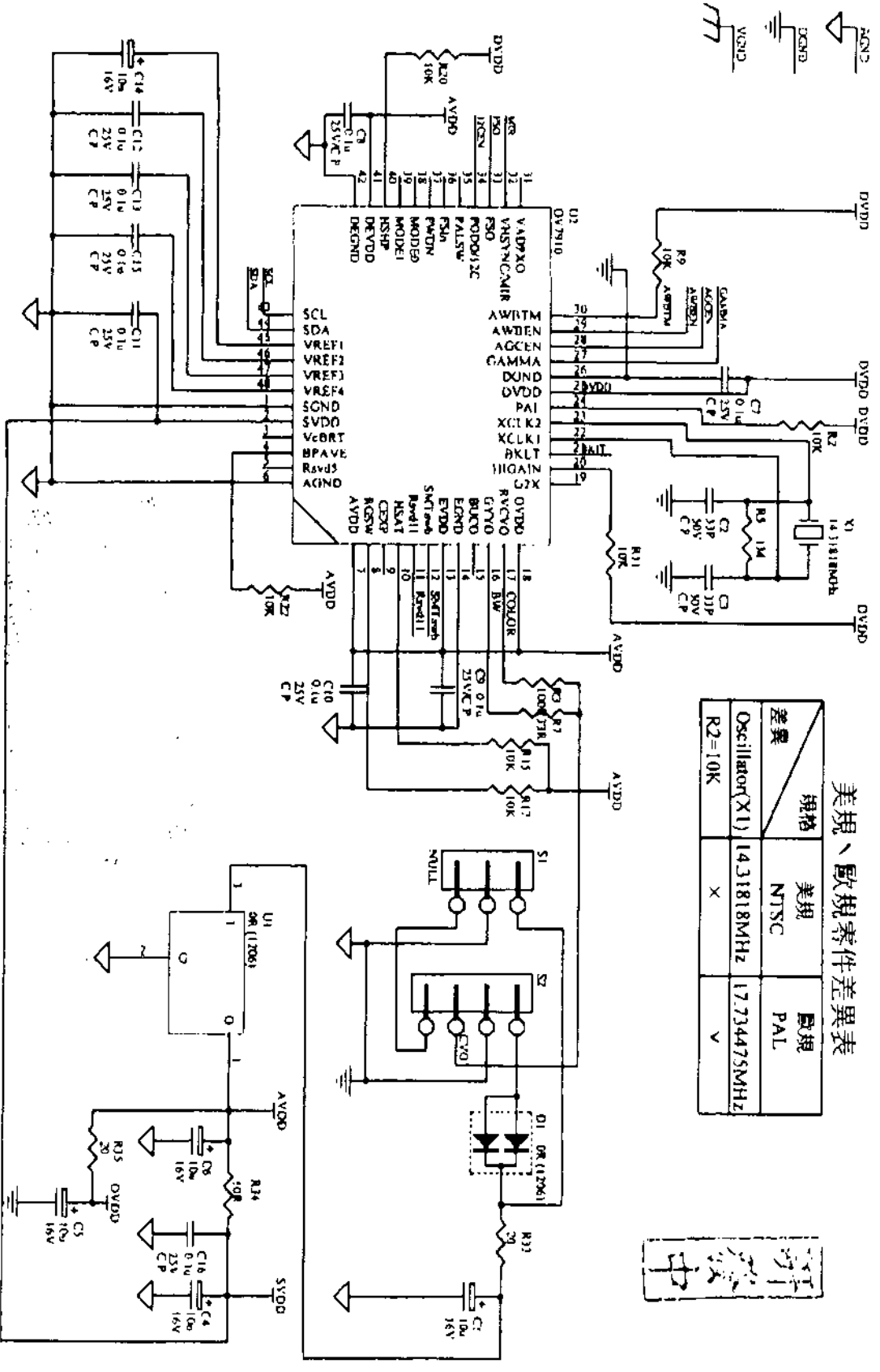
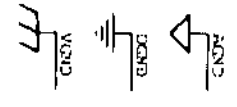
EVERSPRING
SCHEMATIC DIAGRAM
CC125

FILE: C:\BAK\CC125\CC125.dds - Diagrama(CC125)18a.Sch
DATE: OCT-17,2001

DRAWER DESIGNER EXAMINER APPROVER

	DESIGNER	EXAMINER	APPROVER





美規、歐規零件差異表

規格	美規	歐規
差異	NTSC	PAL
Oscillator(X1)	14.31818MHz	17.734475MHz
R2=10K	X	V

訂裝中

傳電專用章
單位:林TEM
02.3.06
FAX IN

9/1/18
Rsk
Rsk
Rsk
Rsk

EVERSPRING
SCHEMATIC DIAGRAM
CC125 (USE PCC00231A01)*

FILE CCI25AN SCH
DATE 11-OCT-2001

DRAWER	DESIGNER	EXAMINER	APPROVER
云辰 98.11.17 HAK			