

# AC134-C

## Wireless IR Controller

### User Manual

Version : 1.0

Date : 2016-08-23

## Table of Contents

1. Copyright and Confidential.....	1
2. Disclaimer .....	1
3. Revision Record.....	1
4. Introduction .....	2
5. Overview .....	2
5.1. Socket &Button .....	2
5.2. LED.....	2
5.3. Power function .....	3
5.4. RF function.....	3
6. How to set up the device?.....	4
7. Warning .....	5
8. Specification summary .....	6

# 1. Copyright and Confidential

The information contained in this document or diagram is confidential and proprietary to Chromagic Technologies Ltd. Co. This information may not be distributed or used for any purpose other than the evaluation of Chromagic's solutions, nor may it be disclosed to any party without the prior written consent from Chromagic. All Rights Reserved.

# 2. Disclaimer

This document or diagram and the information contained herein is provided on an "AS IS" basis and Chromagic DISCLAIMS ALL WARRANTIES, EXPRESS OR IMPLIED, INCLUDING BUT NOT LIMITED TO ANY WARRANTY THAT THE USE OF THE INFORMATION HEREIN WILL NOT INFRINGE ANY RIGHTS OR ANY IMPLIED WARRANTIES OF MERCHANTABILITY OR FITNESS FOR A PARTICULAR PURPOSE.

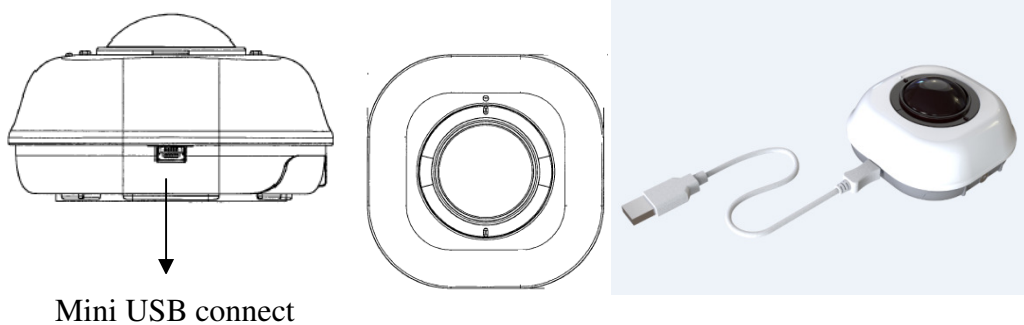
# 3. Revision Record

Date	Version	Description
2016-08-23	1.0	The first release.

## 4. Introduction

AC134-C belongs to smart wireless Home automation solution and can support TSC06-C. It support infrared rays learn 、 control 、 auto-reply. This device is low cost, low complicate, low power consumption, high safety, two-way wireless communication technology. It's designed for desktop only, not on wall or ceiling.

## 5. Overview



### 5.1. Socket & Button

- Mini USB connect :  
Input the DC power voltage 5V and current 1A.
- U-net learn key.

### 5.2. LED

#### 5.2.1 U-Net

5.2.1.1 Learning mode : The red light is blinking (0.5s on,0.5s off), it will persist for 30 seconds.

5.2.1.2 Empty mode : The red light is blinking (0.2s on,0.2s off), it will persist for 120 seconds.

5.2.1.3 Learning Error : The red light is blinking (0.1s on,0.1s off) for 3 times.

5.2.1.4 Learning success : The red light is off.

## 5.2.2 IR

5.2.2.1 Learning mode : The red light is blinking(0.5s on,0.5s off), it will persist for 30 seconds.

5.2.2.2 Binding error : The red light is blinking (0.1s on,0.1s off) for 3 times.

5.2.2.3 Binding success : The red light is off.

## 5.3. Power function

1. Operating temp : 0~40°C
2. Operating Humidity : 85%(maximum, relative humidity)
3. Storage temp : -20~60°C
4. Input : adapter(main) : 5V/battery(support, when power cut) : 4.5V
5. Battery type : AA\*3
6. INPUT : AC100-240V  
OUTPUT : DC 5V/1A
7. Mini USB power :
  - (1) this connection can use mini USB output voltage
  - (2) Need to be able mini USB provides voltage to 5V

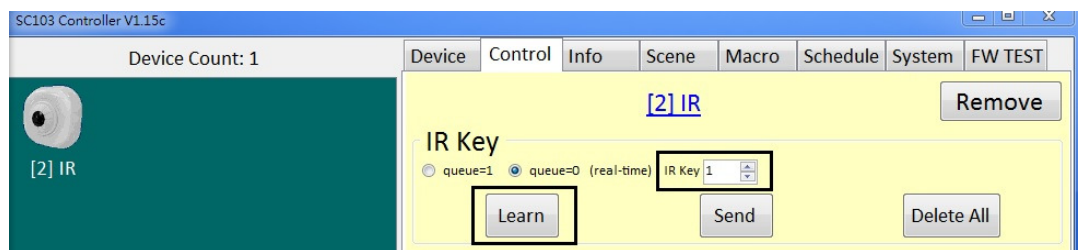
## 5.4. RF function

1. RF Compatibility :
  - Protocol Stack : U-Net 4.0
  - Profile : Home Automation Security
2. Frequency range : 916.00MHz
3. Modulation : FSK
4. Coverage Range : Free Space 150M
5. RF Antenna : built-in antenna
6. IR receive range: vertical  $\pm 20^\circ$ , <5CM



## 6. How to set up the device?

1. Power supply :
  - 1.1 Mini USB adapter (main) : plug in mini USB
  - 1.2 Battery(support, when power cut) : open back cover and put in AA\*3
2. U-Net binding first :
  - 2.1 Into the binding mode : Press the learning button at least 3 seconds until the LED light burns out, and unlock the button in 2 seconds. The LED will last 30 seconds under the binding mode.
  - 2.2 Clear the binding record : Press the learning button at least 6 seconds until the LED light burns out under the binding mode, and unlock the button in 2 seconds.
  - 2.3 Quit the binding mode : Press the learning button under the binding mode, and the LED will be blinking 3 times.(0.1s on,0.1s off)
3. IR binding :
  - 3.1 It can memorize 16 IR.
  - 3.2 Choose SC103 Controller, set up the number of IR key (1~16), and press "learn" button, then LED will be 0.5s on and 0.5s off, aim the controller at the AC134, press the button of the controller. When binding is successful, the LED light will burn out.



- 3.3 After the binding is successful, press the "send" button, will send the memorized IR key number command.
- 3.4 Press "Delete All", all IR key information will be removed.

#### 4. Breakdown solution

Breakdown	Reason	Solution
Device can't work, LED is no signal	Device breaks down	Don't turn on the device, send it back to be repaired.
Can't control the LED	U-Net isn't binding yet.	Please bind the U-Net.
	IR isn't binding yet.	Please bind the IR.
	Frequency disturbance, someone launch 916MHz air waves nearby.	Pls try it later.

## 7. Warning

### Federal Communication Commission Interference Statement

This equipment has been tested and found to comply with the limits for a Class B digital device, pursuant to Part 15 of the FCC Rules. These limits are designed to provide reasonable protection against harmful interference in a residential installation. This equipment generates, uses and can radiate radio frequency energy and, if not installed and used in accordance with the instructions, may cause harmful interference to radio communications. However, there is no guarantee that interference will not occur in a particular installation. If this equipment does cause harmful interference to radio or television reception, which can be determined by turning the equipment off and on, the user is encouraged to try to correct the interference by one of the following measures :

- Reorient or relocate the receiving antenna.
- Increase the separation between the equipment and receiver.
- Connect the equipment into an outlet on a circuit different from that to which the receiver is connected.
- Consult the dealer or an experienced radio/TV technician for help.

This device complies with Part 15 of the FCC Rules. Operation is subject to the following two conditions : (1) This device may not cause harmful interference, and (2) this device must accept any interference received, including interference that may cause undesired operation.

FCC Caution : Any changes or modifications not expressly approved by the party

responsible for compliance could void the user's authority to operate this equipment.

**WARNING :**

Do not dispose of electrical appliances as unsorted municipal waste, use separate collection facilities instead. Please contact your local government for information regarding the collection systems available.

If electrical appliances are disposed of in landfills or dumps, hazardous substances can leak into the groundwater and get into the food chain, damaging your health and well-being.

When replacing old appliances with new ones, the retailer is legally obligated to take back your old appliance for disposal at least for free of charge.

## 8. Specification summary

Operating temperature range	0°C to 40°C
Operating humidity	85% RH at 30°C
Adapter	DC5V 1A
Battery type	AA1.5V *3
Transmission range	Outdoors >150m (Open space) for front and sides
Frequency range	916 MHz(US/Israel)
FCC ID	FU5AC134

**EVERSPRING**

Everspring Industry Co., Ltd.

[www.everspring.com](http://www.everspring.com)

3F., No.50, Sec. 1, Zhonghua Rd., Tucheng Dist., New Taipei City 236, R.O.C