

59.60 0.00
-0.20

Genius® Model : Easy Pen PRO USB

FCC ID:FSUGTU504

檢磁 XXXXXXXXX

This device complies with Part 15 of the FCC Rules.Operation is subject to the following two conditions:(1)This device may not cause harmful interference,and(2)This device must accept any interference received, including interference that may cause undesired operation.

XXXXXXXXXXXXX
www.geniusnet.com.tw

MADE IN XXXXXX

K3009132

The next page shows the location of FCC ID on EUT

Genius® Model : Easy Pen PRO USB

FCC ID:FSUGTU504


檢磁 XXXXXXXXX

This device complies with Part 15 of the FCC Rules.Operation is subject to the following two conditions:(1)This device may not cause harmful interference,and(2)This device must accept any interference received, including interference that may cause undesired operation.

XXXXXXXXXXXXX
www.geniusnet.com.tw

MADE IN XXXXXX

K3009132



SCALE:1/1

Notes :

1. Units : mm

2. Scale : 2 / 1

3. Material : a. PVC +科多隆(CLEAN WITH SAND SURFACE)

b. 格拉性離型紙；壓克力膠

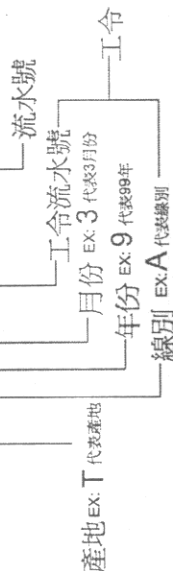
4. Thickness : 0.2mm

5. Background Color : SILVER

6. Characters Color : BLACK

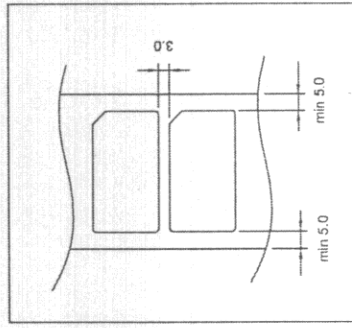
7. Serial No & Bar code. Format As Below:

S/N: X XXXXX XXXXXXX



8. Production Area : MADE IN XXXXX (TAIWAN , CHINA)

9. 空白整卷料號 K3018000



TOLERANCES		UNLESS OTHERWISE SPECIFIED	
LINEAR	MM	INCH	ANGLE
X.X	± 0.30	±	± 0.5
X.XX	± 0.20	±	± 0.5
X.XXX	±	±	±

SHEET 1 OF 1



崑崙企業股份有限公司
KYE Systems Corp.

DESCRIPTION:

FCC LABEL / 5x4 TABLET USB

DWG NO.:

K3009132

DRAWN BY:

W.S.-3/19/99

CHECKED BY:

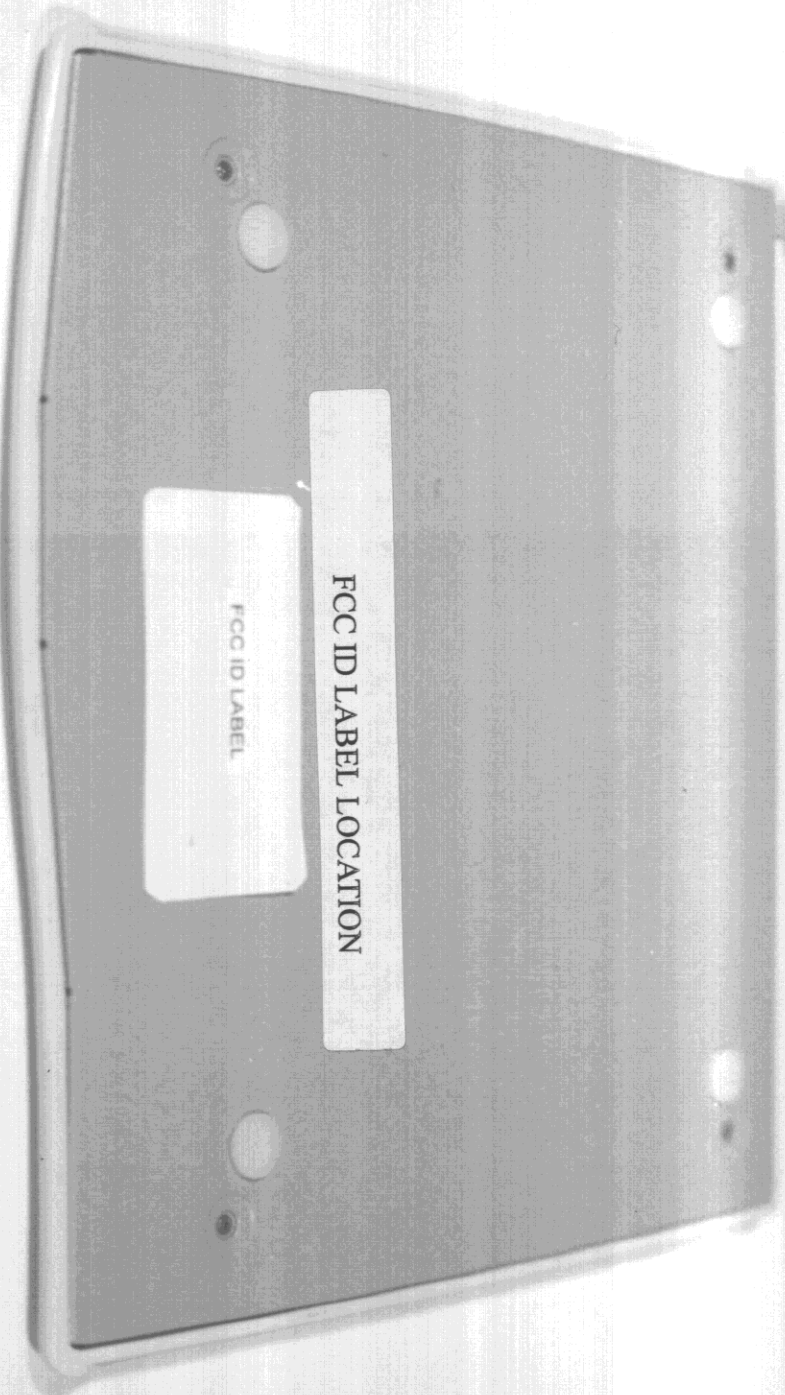
APPROVED BY:

REV

1

電子會籤
6/11/99

1 2 3 4 5 6 7 8



FCC ID LABEL LOCATION

FCC ID LABEL

952408

Type of application:Class B Computing Device/

TABLET certification

Exhibit A. FCC ID Label.

Exhibit B. One detailed report of measurements.

Exhibit C. Certificate of Compliance of PC as the support unit.

Exhibit D. The TABLET User's manual including operation
and instruction.

Exhibit E. 8" x 10" photograph x 9.

Exhibit F. Block diagram of the TABLET.



D700701

SPORTON LAB.

Certificate No:

CERTIFICATE OF COMPLIANCE

Authorized under Declaration of Conformity
according to

47 CFR, Part 2 and Part 15 of the FCC Rules

Equipment Under Test : **PERSONAL COMPUTER**

Model No. : **P2L97**

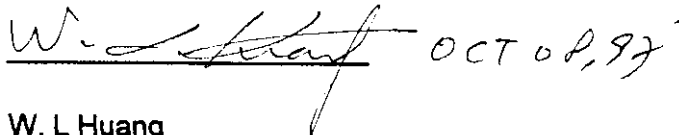
Applicant : **FIRST INTERNATIONAL COMPUTER INC.**

6F, Formosa Plastics Rear Building 201,
Tung Hwa N. Rd., Taipei, Taiwan, R.O.C.



CERTIFY THAT:

THE MEASUREMENTS SHOWN IN THIS TEST REPORT WERE MADE IN ACCORDANCE WITH THE PROCEDURES GIVEN IN ANSI C63.4 - 1992 AND THE ENERGY EMITTED BY THIS EQUIPMENT WAS **PASSED** BOTH RADIATED AND CONDUCTED EMISSIONS CLASS B LIMITS. THE TESTING WAS COMPLETED ON **SEP. 02, 1997** AT **SPORTON INTERNATIONAL INC. LAB. IN NEI HWU.**

 **OCT 02, 97**

W. L. Huang
GENERAL MANAGER