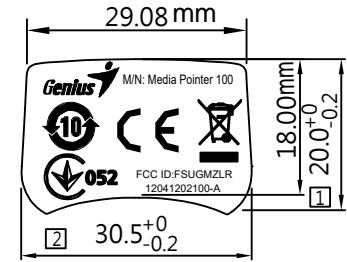
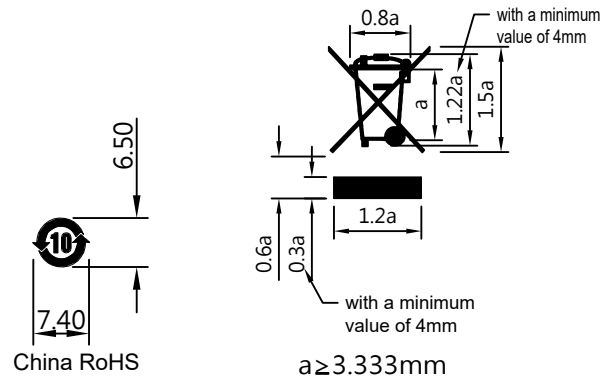


SCALE 2.0



SCALE 1.0



The label is laser etched on the equipment.

Model:Media Pointer100