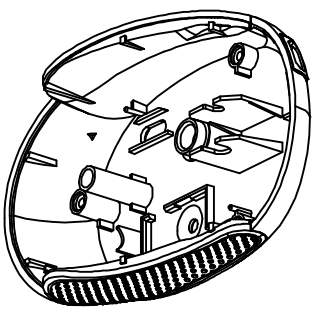
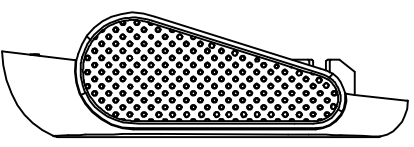
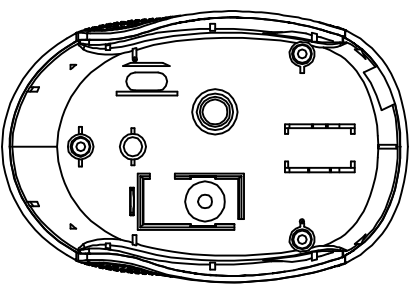
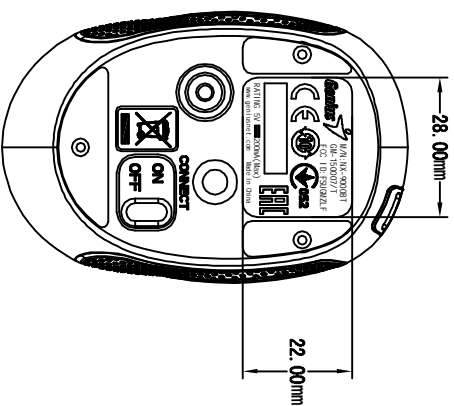


REVISION	0
RELEASED FOR TOOLING	
CHECKED & ISSUED.	
CAF-033011	
何行軍 2015-07-23	A

The label stamped to the equipment by permanent adhesive.



ITEM NO	PART NO:	TOOLING	AS MOUNTED	PAINT COLOR	MATERIAL
1	15120338101	15111222101	黑色	--	ABS+TPE

RS

SHEET 1 OF 1

15120338101-A

KYE KYE Systems Corp.

UNLESS OTHERWISE SPECIFIED

X.X	±0.15
X.XX	±0.1
X.XXX	±

DESCRIPTION:		P/NQ NO.:	
RS BASE, NR-9000BT, BOTTOM, CR-150007		15120338101	
DESIGNED BY:	CHECKED BY:	APPROVED BY:	REV
何行軍 2015-07-23	何行軍 2015-07-23	何行軍 2015-07-23	A

