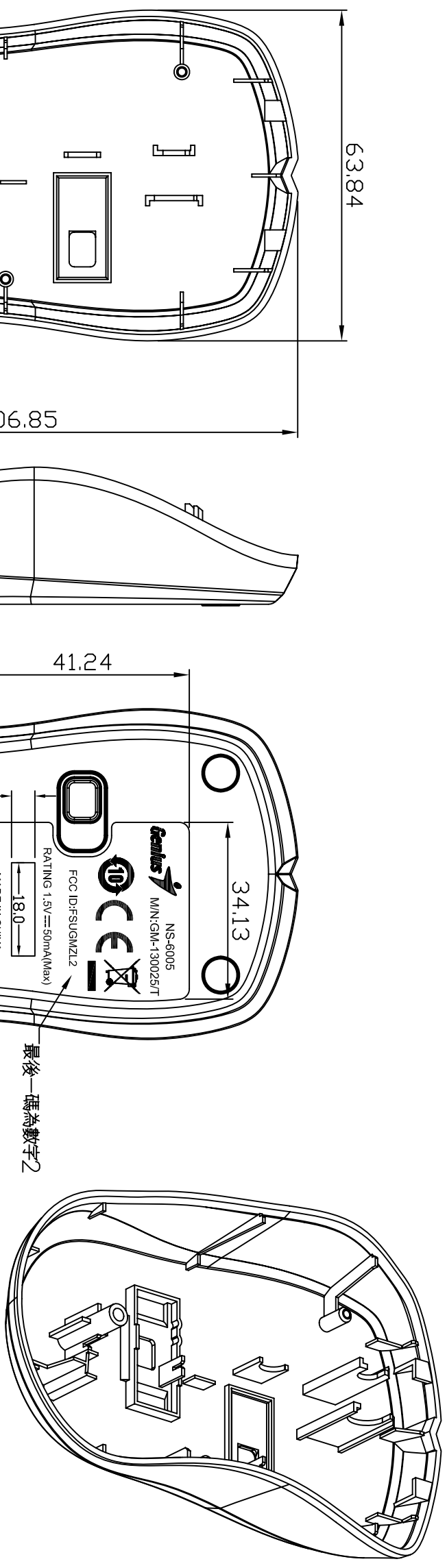



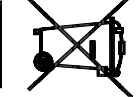
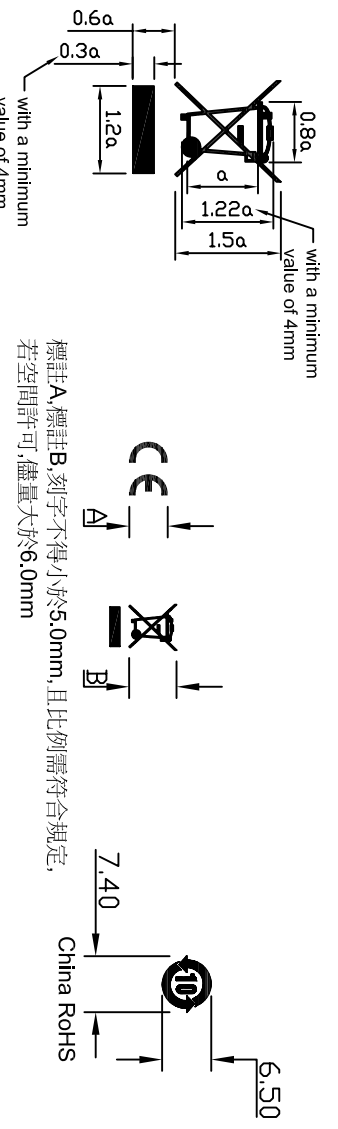


REVISION	0
RELEASED FOR SOURCING ONLY	
HANK 2012/12/26	1




NS-6005
 M/N:GM-130025/T

FCC ID:F-SUGMZL2


 RATING 1.5V \approx 50mA(Max)
 MADE IN CHINA
 www.geniusnet.com



a23.333mm
 WEEE標準製圖法

- NOTE:
1. TOL: X \pm 0.25 .XX \pm 0.15 UNLESS SPECIFIED
 2. MATERIAL:ABS
 3. DRAFT ANGLE: 1.0°/PER SIDE
 4. FINISH: TEXTURE MT-11000
 5. SHAPE DIMS, FINISHED AS PRO-E 3D MODEL
 6. IQC CHECKED DIMENSION CPK DIMENSION MAJOR DIMENSION

TOLERANCES			
LINEAR	INCH	MM	ANGLE
XX	\pm	\pm	
XXX	\pm	± 0.20	\pm
XXXX	\pm		

SHEET 1 OF 1 UNLESS OTHERWISE SPECIFIED
 KYE Systems Corp.

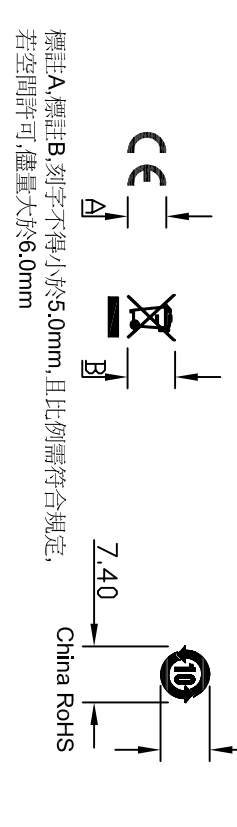
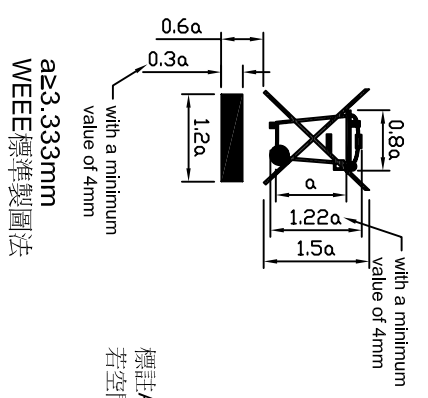
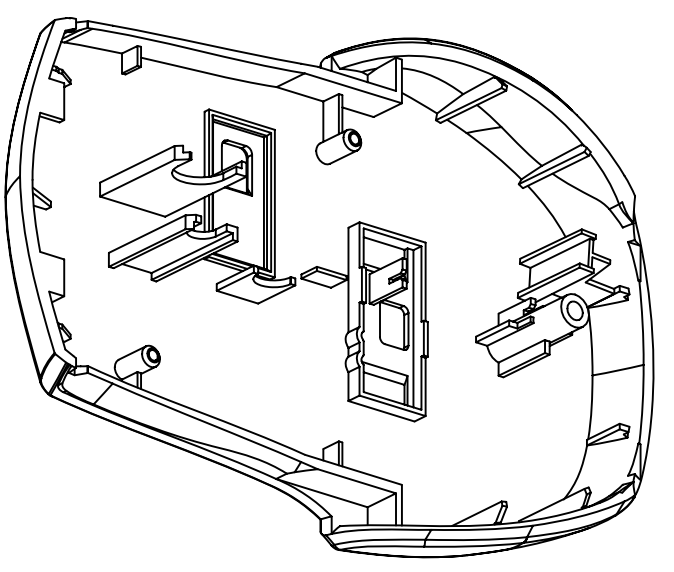
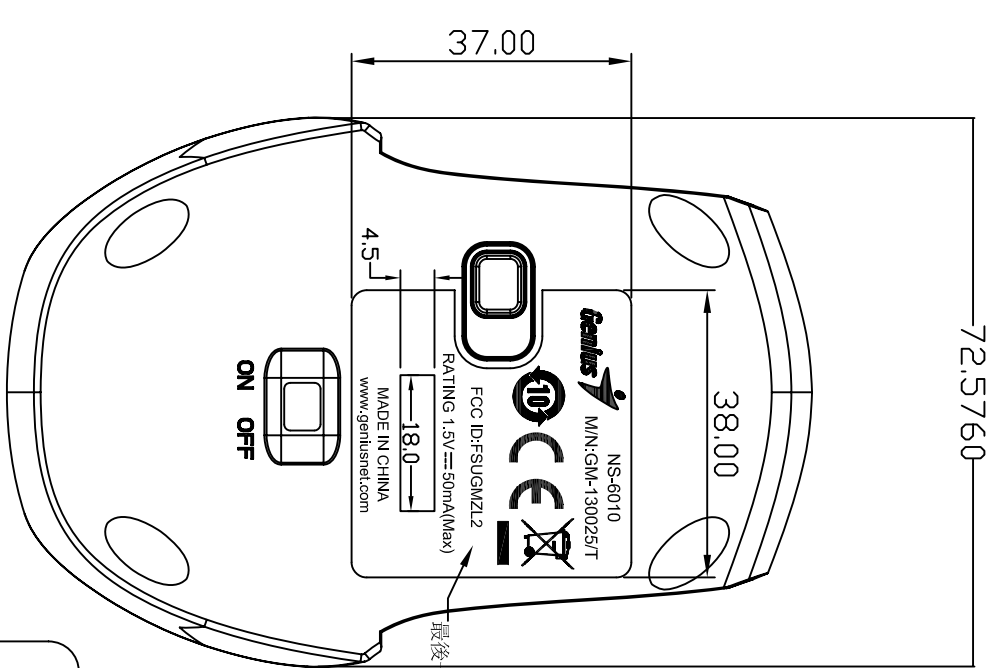
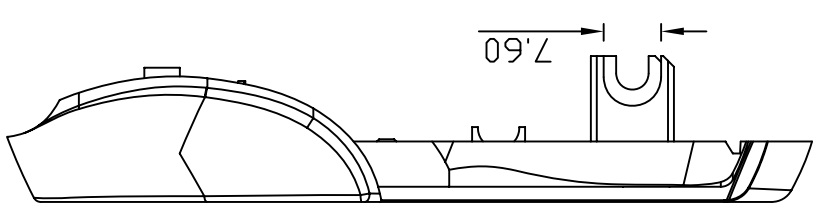
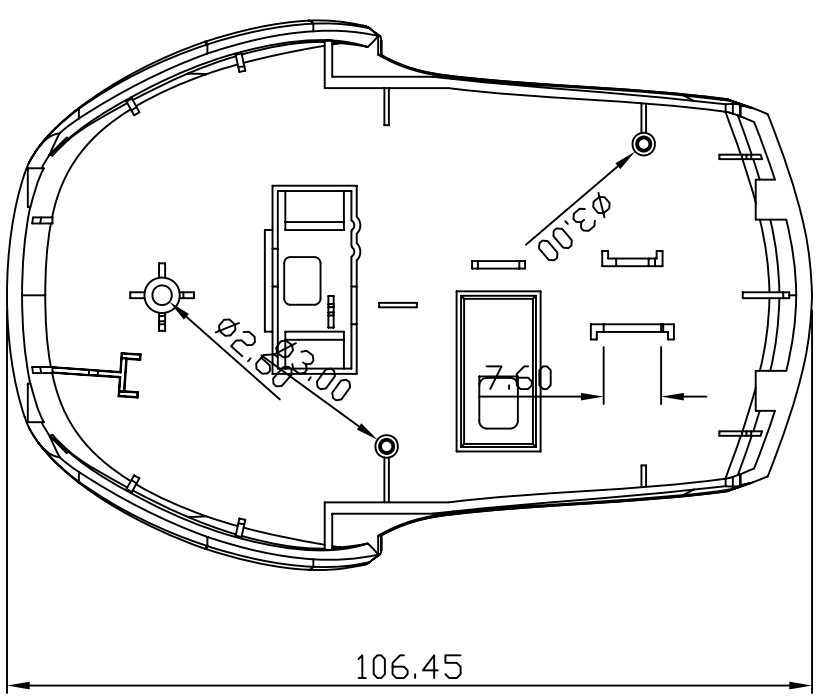
PM會簽	電子會簽	EMI 會簽
陳寶貞 2/21/2013	莊耀鴻 2/21/2013	許柏威 2/21/2013


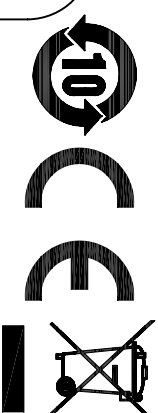
DESCRIPTION:	DWG NO.:
DRAWN BY: HANK 2012/12/26	CHECKED BY:
APPROVED BY:	REV 1

A B C D E F G H

1 2 3 4 5 6 7 8 9 10 11 A3

REVISION	0
RELEASED FOR SOURCING ONLY.	
HANK	2013/02/20
	1




NS-6010
 M/N:GM-130025/T

 FCC ID:FSUGMZ12
 RATING 1.5V ≐ 50mA(Max)
 MADE IN CHINA
 www.geniusnet.com

Scale: 2/1

TOLERANCES		
LINEAR	INCH	MM
XX	±	±
XXX	±	±0.20
XXXX	±	±

UNLESS OTHERWISE SPECIFIED

SHEET 1 OF 1

KYE Systems Corp.



DESCRIPTION:

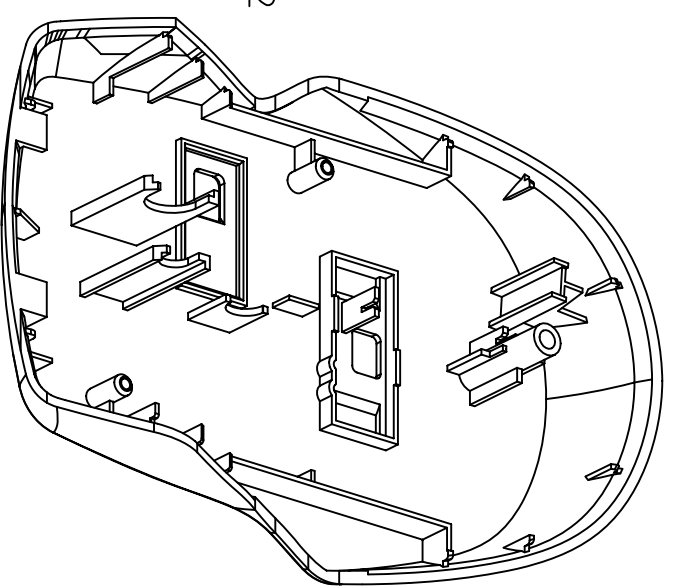
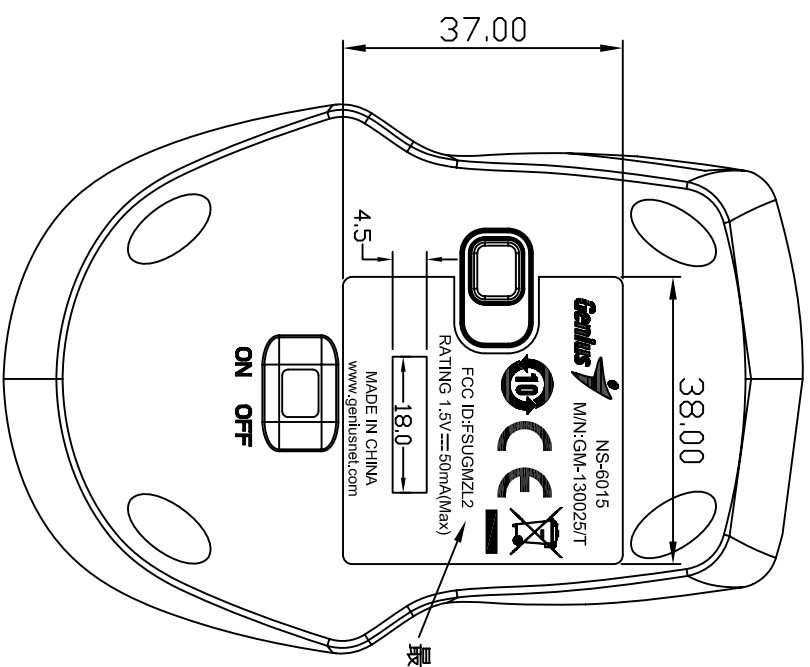
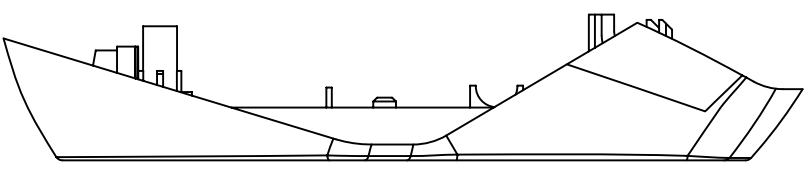
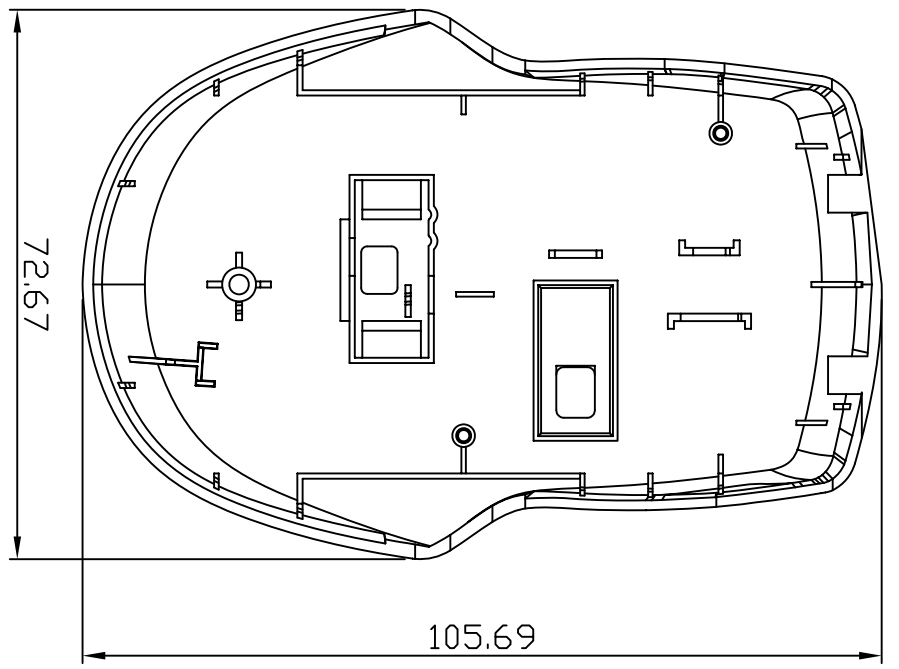
DWG NO.:

REVISION SHEETS	REVISION STATUS OF SHEETS	DRAWN BY: HANK	CHECKED BY:	APPROVED BY:	REV
		2013/02/20			1

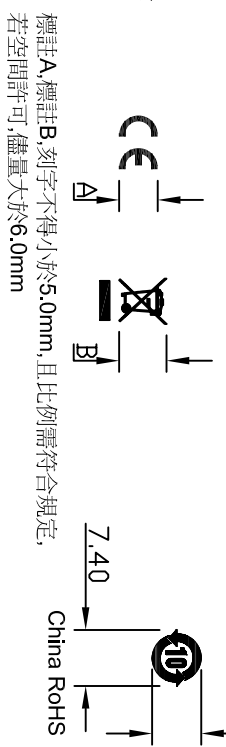
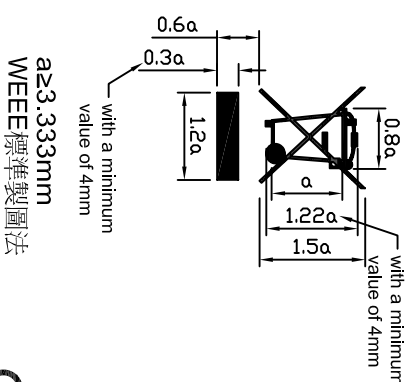
- NOTE:
- TOL: X±0.25 XX±0.15 UNLESS SPECIFIED
 - MATERIAL:ABS
 - DRAFT ANGLE: 1.0°/PER SIDE
 - FINISH: TEXTURE MT-11000
 - SHAPE DIMS. FINISHED AS PRO-E 3D MODEL
 - IQC CHECKED DIMENSION ○CPK DIMENSION □ MAJOR DIMENSION

1 2 3 4 5 6 7 8 9 10 11 A3

REVISION	0
RELEASED FOR SOURCING ONLY	
HANK 2013/01/30	1



NS-6015
M/N:GM-130025/T
 FCC ID:FSUGMZL2
RATING 1.5V ≐ 50mA(Max)
MADE IN CHINA
www.geniusnet.com
Scale:2/1



- NOTE:
1. TOL: X±0.25 .XX±0.15 UNLESS SPECIFIED
 2. MATERIAL:ABS
 3. DRAFT ANGLE: 1.0°/PER SIDE
 4. FINISH: TEXTURE MT-11000
 5. SHAPE DIMS. FINISHED AS PRO-E 3D MODEL
 6. IQC CHECKED DIMENSION MAJOR DIMENSION

TOLERANCES			
LINEAR	INCH	MM	ANGLE
XX	±	±	±
XXX	±	±	±
XXXX	±	±	±

UNLESS OTHERWISE SPECIFIED

KYE Systems Corp. SHEET 1 OF 1			
DESCRIPTION:	TODDLING,GM-130001,BOT		DWG NO.: 15110945101
DRAWN BY:	CHECKED BY:	APPROVED BY:	REV 1
HANK 2013/01/30			

PM會簽	電子會簽	BMI 會簽
陳寶貞 2/21/2013	莊耀鴻 2/21/2013	許柏威 2/21/2013

1 2 3 4 5 6 7 8 9 10 11 A3