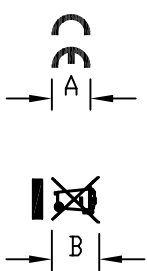
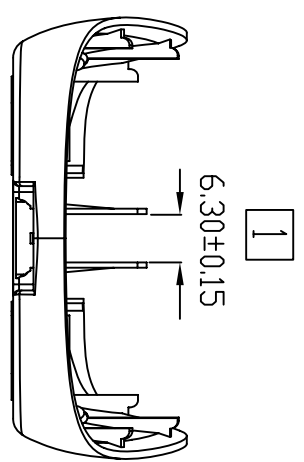
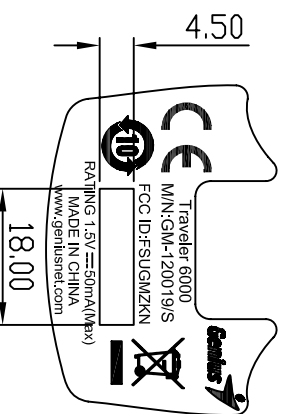
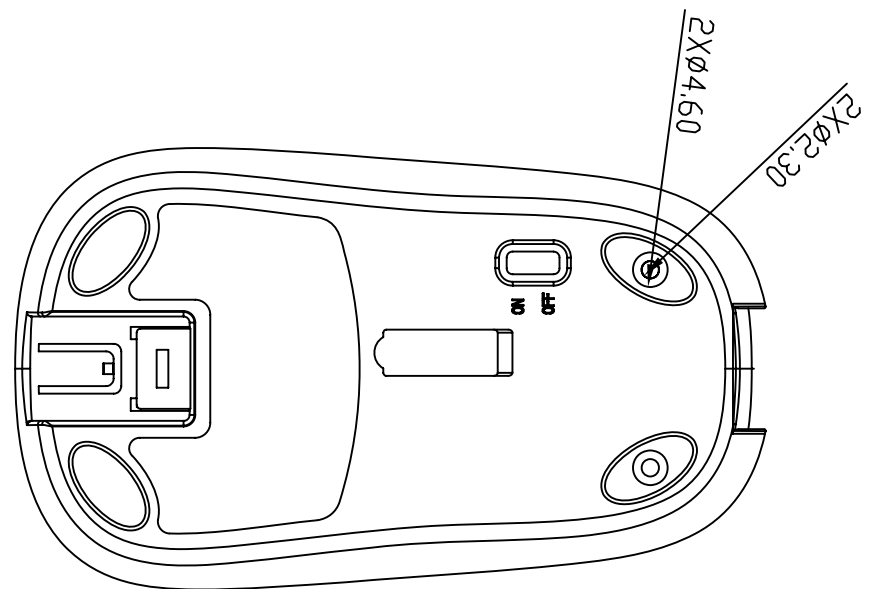
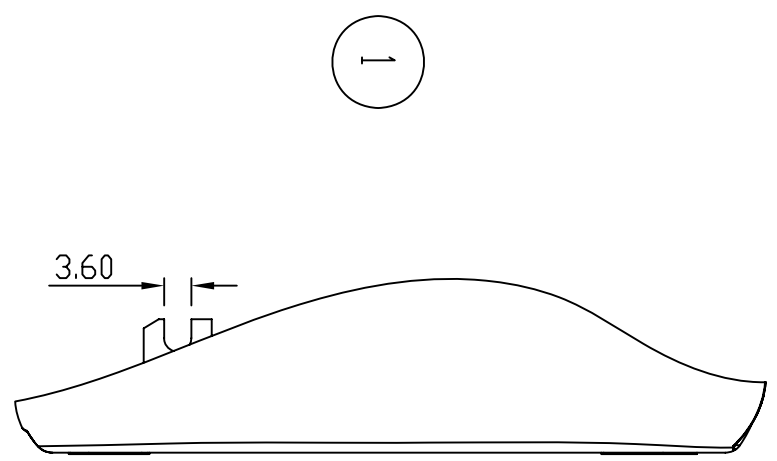
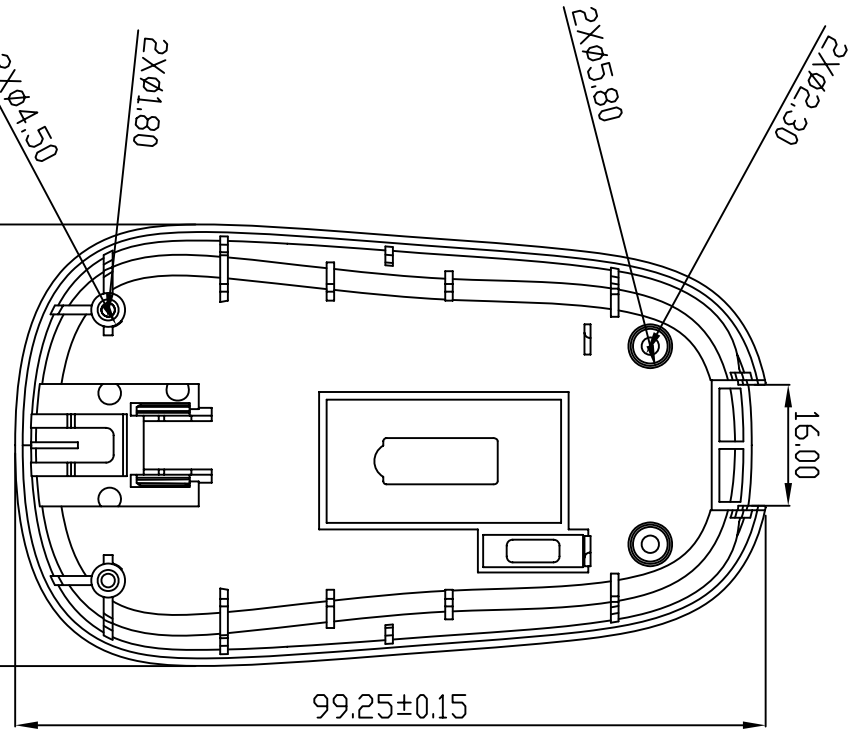
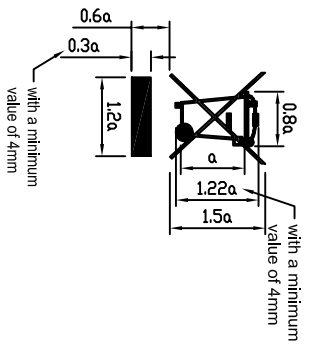
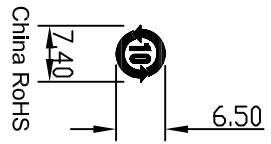


REVISION	0
RELEASED FOR SOURCING ONLY.	
RELEASED FOR TOOLING CHECKED & ISSUED.	1
DCD-00XXXX	
	A



標註A,標註B,刻字不得小於5.0mm,且比例需符合規定,若空間許可,儘量大於6.0mm



a23.333mm
WEEE標準製圖法

Traveler 6000
M/N:GM-120019/S
FCC ID:FSUGMZKN

RATING 1.5V=50mA(Max)
MADE IN CHINA
www.geniusnet.com

Scale:2/1

Scale:1/1

- NOTE:
1. TOL: X±0.25 .XX±0.15 UNLESS SPECIFIED
 2. MATERIAL:ABS
 3. DRAFT ANGLE: 1.0°/PER SIDE
 4. FINISH: TEXTURE MT-11010
 5. SHAPE DIMS. FINISHED AS PRO-E 3D MODEL
 6. IQC CHECKED DIMENSION MAJOR DIMENSION CPK DIMENSION

SHEET 1 OF 1

TOLERANCES	
LINEAR	ANGLE
XX	±0.25
XXX	±0.15
XXXX	±
UNLESS OTHERWISE SPECIFIED	

KYE KYE Systems Corp.

DESCRIPTION: TOOLING,TRAVELER 6000智成,BOT
 DWG NO.: 1511XXXX101

DRAWN BY: CHECKED BY: APPROVED BY: REV 1

A B C D E F G H

1 2 3 4 5 6 7 8 9 10 11

