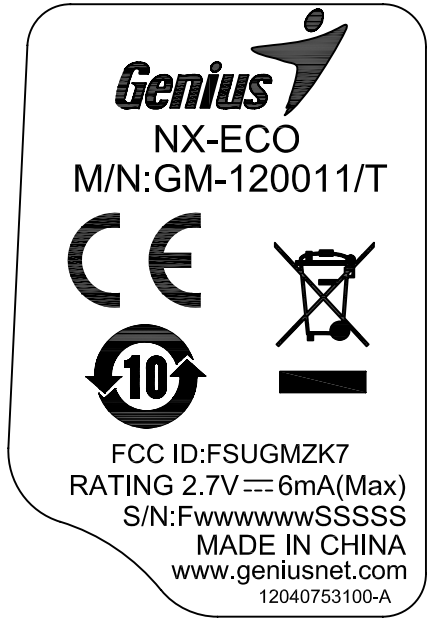
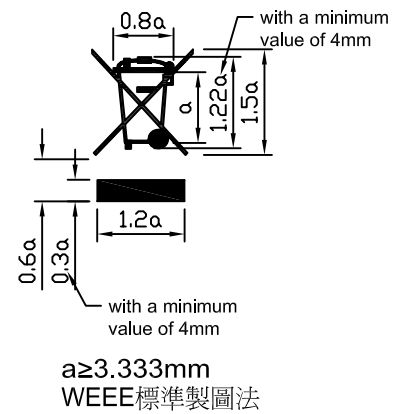
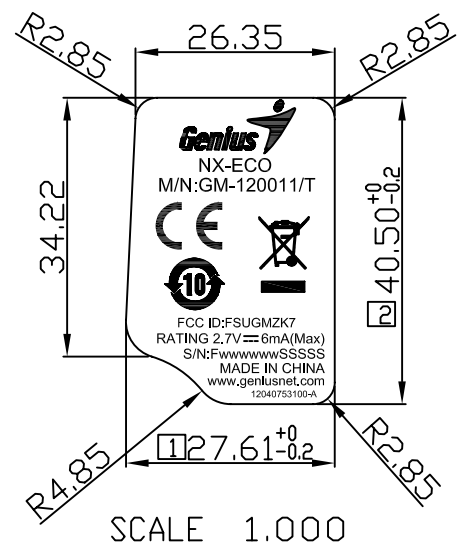


REVISION	0
RELEASED FOR SOURCING ONLY: DCO-00XXXX	
VIVIAN 6/21/2012	A



SCALE 2.000

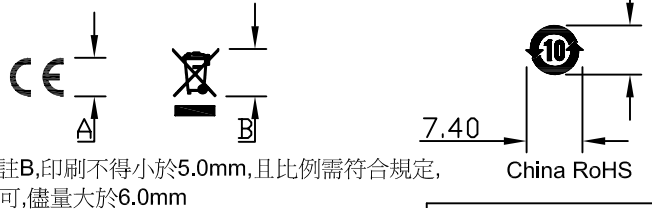


- NOTES:
1. UNITS : mm
 2. SCALE : 2/1
 3. MATERIAL : 100P合成紙+霧P
 4. THICKNESS : 0.10mm
 5. BACKGROUND COLOR : BLACK
 6. CHARACTERS COLOR : Pantone 430(深灰色)
 7. SERIAL NO & BAR CODE. FORMAT AS BELOW:

S/N: F wwwwww SSSS
廠別 (3代表昆盛) 工令流水號 生產數量序號

8. MADE IN XXXXXX
PRODUCING AREA:(TAIWAN;CHINA)

9. THE SYMBOL INDICATES A CRITICAL DIMENSION IQC 100% MATL. INCOMING INSPEC.
10. 樣品由生產地承認
11. RESTRICTED SUBSTANCE SPEC. REFERENCE TO: DKC-QCD-S-095



SHEET 1 OF 1



PLASTIC TOLERANCES CLASS		
DIMENSION	A	B
BELOW 6	±0.06	±0.15
6 ~ 30	±0.1	±0.2
31 ~ 120	±0.2	±0.4
121 ~ 300	±0.3	±0.8
301 ~ 600	±0.8	±2.0
601 ~ 1200	±2.0	±4.0
ANGLE	±0.5°	
UNLESS OTHERWISE SPECIFIED		

KYE KYE Systems Corporation

電子會簽	PPD會簽	EMI會簽	DESCRIPTION:	DWG NO.:
彭志豪	陳寶貞	許柏威	RS,FCC,NX-ECO	12040753100
6/21/2012	6/21/2012	6/21/2012	DRAWN BY:	APPROVED BY:
			VIVIAN 6/21/2012	Benjamin 6/21/2012
			CHECKED BY:	REV
				A