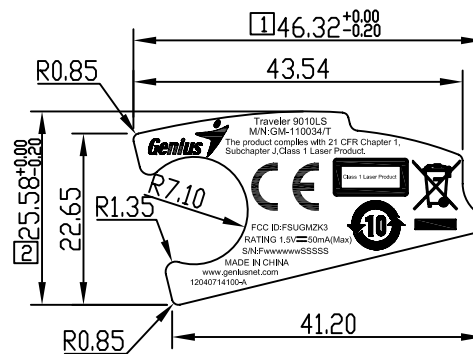


SCALE 2.000



SCALE 1.000

NOTES:

1. UNITS : mm
2. SCALE : 2/1
3. MATERIAL : 100P合成紙+霧P
4. THICKNESS : 0.10mm
5. BACKGROUND COLOR : BLACK
6. CHARACTERS COLOR : Pantone 430(深灰色)
7. SERIAL NO & BAR CODE. FORMAT AS BELOW:

S/N: F wwwwwww SSSS

廠別 (3代表昆盛) 工令流水號 生產數量序號

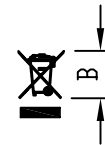
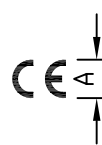
8. MADE IN XXXXXX

PRODUCING AREA: (TAIWAN;CHINA)

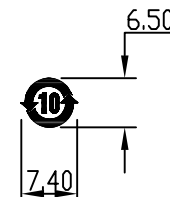
9. THE SYMBOL INDICATES A CRITICAL DIMENSION
IQC 100% MATL. INCOMING INSPEC.

10. 樣品由生產地承認

11. RESTRICTED SUBSTANCE SPEC. REFERENCE TO: DKC-QCD-S-095



標註A,標註B,印刷不得小於5.0mm,且比例需符合規定,若空間許可,儘量大於6.0mm



China RoHS

REVISION	0
RELEASED FOR SOURCING ONLY. RELEASED FOR TOOLING CHECKED & ISSUED. DCO-00xxxx	
Vivian 2/24/2012	A

UL	RS	EE
	RS2	

PLASTIC TOLERANCES CLASS		
DIMENSION	A	B
BELOW 6	±0.06	±0.15
6 ~ 30	±0.1	±0.2
31 ~ 120	±0.2	±0.4
121 ~ 300	±0.3	±0.8
301 ~ 600	±0.8	±2.0
601 ~ 1200	±2.0	±4.0
ANGLE	±0.5°	
UNLESS OTHERWISE SPECIFIED		

SHEET 1 OF 1



12040714100-A

KYE KYE Systems Corporation

PM會簽	電子會簽	EMI會簽
陳寶貞 2/24/2012	莊曜鴻 2/24/2012	許柏威 2/24/2012

DESCRIPTION: SERENG		DWG NO.: 12040714100	
DRAWN BY: Vivian 2/24/2012	CHECKED BY:	APPROVED BY: Benjamin 2/24/2012	REV: A