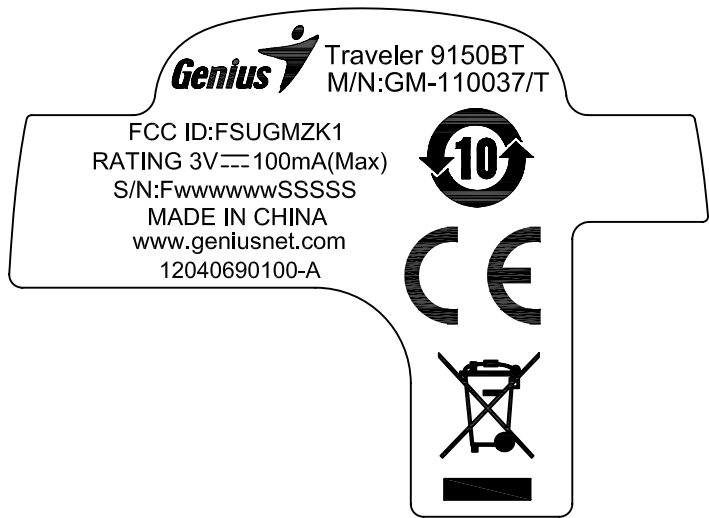
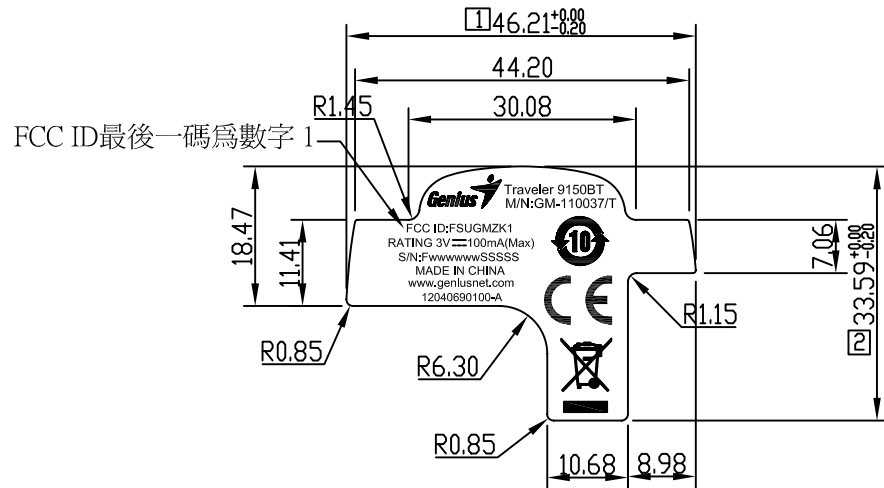


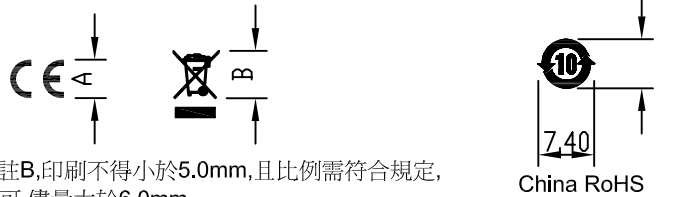
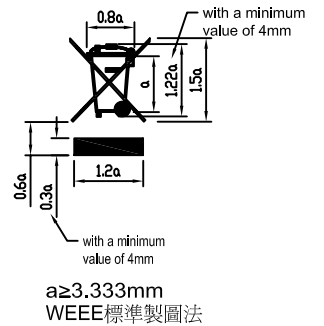
REVISION	0
RELEASED FOR SOURCING ONLY. RELEASED FOR TOOLING CHECKED & ISSUED. DCO-011121	
Vivian 4/9/2012	A



SCALE 2.000



SCALE 1.000



標註A,標註B,印刷不得小於5.0mm,且比例需符合規定,若空間許可,儘量大於6.0mm

- NOTES:
- UNITS : mm
 - SCALE : 2/1
 - MATERIAL : 100P合成紙+霧P
 - THICKNESS : 0.10mm
 - BACKGROUND COLOR : BLACK
 - CHARACTERS COLOR : Pantone 430(深灰色)
 - SERIAL NO & BAR CODE. FORMAT AS BELOW:

S/N: F wwwww SSSS

廠別 (3代表昆盛) 生產數量序號
工令流水號

8. MADE IN XXXXXX

PRODUCING AREA: (TAIWAN;CHINA)

9. THE SYMBOL INDICATES A CRITICAL DIMENSION
IQC 100% MATL. INCOMING INSPEC.

10. 樣品由生產地承認

11. RESTRICTED SUBSTANCE SPEC. REFERENCE TO: DKC-QCD-S-095

SHEET 1 OF 1



12040690100-A

UL	RS	EE
PLASTIC TOLERANCES CLASS		
DIMENSION	A	B
BELOW 6	±0.06	±0.15
6 ~ 30	±0.1	±0.2
31 ~ 120	±0.2	±0.4
121 ~ 300	±0.3	±0.8
301 ~ 600	±0.8	±2.0
601 ~ 1200	±2.0	±4.0
ANGLE	±0.5°	
UNLESS OTHERWISE SPECIFIED		

KYE KYE Systems Corporation

PM會簽	電子會簽	EMI會簽
彭如淇 4/9/2012	彭志豪 4/9/2012	許柏威 4/9/2012

DESCRIPTION: SERENG		DWG NO.: 12040690100	
DRAWN BY: Vivian 4/9/2012	CHECKED BY:	APPROVED BY: Benjamin 4/9/2012	REV A