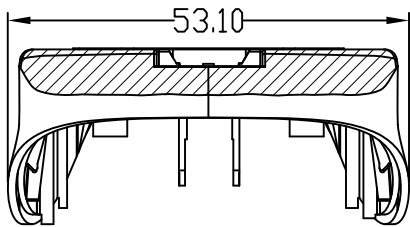
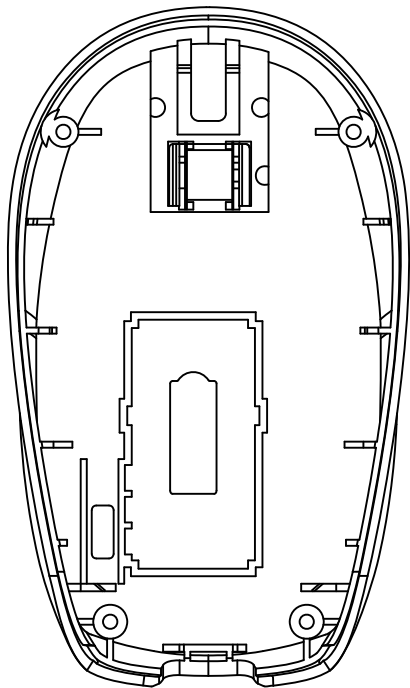


1 2 3 4 5 6 7 8

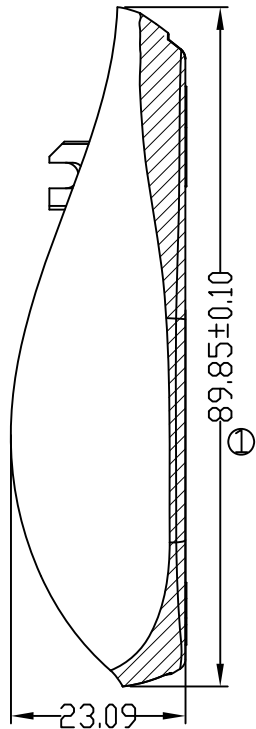
E



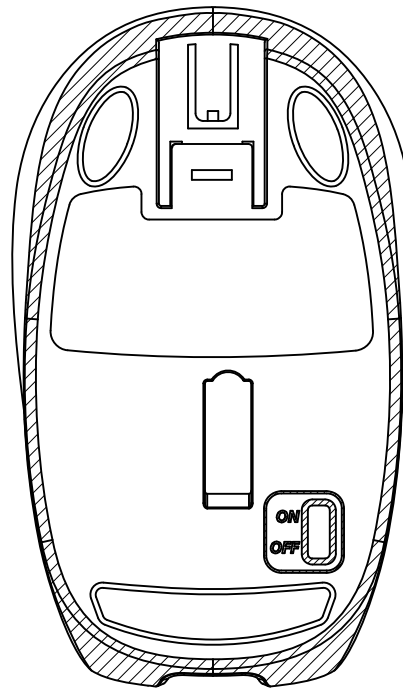
D



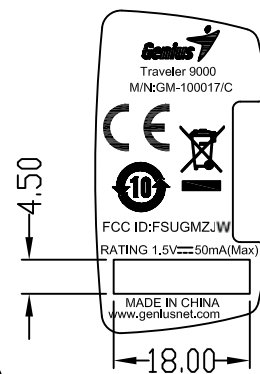
C



B



A



REVISION	0
RELEASED FOR SOURCING ONLY.	
VIVIAN 6/29/2011	1
RELEASED FOR SOURCING CHECKED ISSUED DCO-010183	
VIVIAN 6/29/2011	A
Modify FCC刻字內容 ECO-00XXXX	
VIVIAN 8/2/2011	B

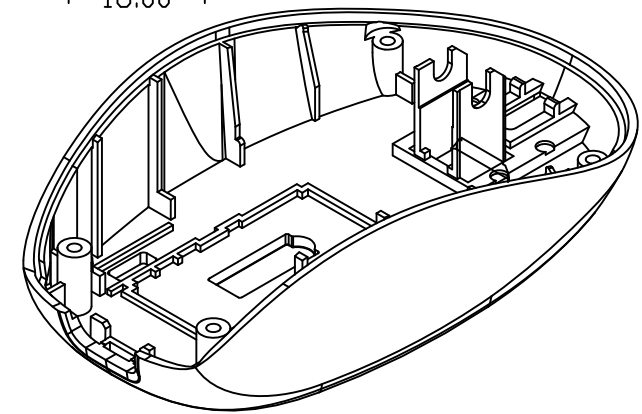
E

D

C

B

A



SCALE 1:1

SHEET 1 OF 1

TOLERANCES			
LINEAR	INCH	MM	ANGLE
x.x	<del>±</del>	±0.1	
x.xx	±	±0.1	±5°
x.xxx	±	<del>±</del>	

- NOTES:
- UNIT: MM
  - SCALE: 1/1
  - MATERIAL: ABS-94HB
  - SURFACE FINISH: MT-11010(紅色斜線區域施作SPI-A-1拋光)
  - THE SYMBOL INDICATES A CRITICAL DIMENSION IQC 100% MATL. INCOMING INSP.



15111000102-A

UNLESS OTHERWISE SPECIFIED

**KYE** KYE Systems Corporation.

DESCRIPTION: TOOLING,TRAVELER 9000,COB,BOTTOM DWG NO.: 15111000102

DRAWN BY: VIVIAN 8/2/2011	CHECKED BY:	APPROVED BY: Benjamin 8/2/2011	REV B
------------------------------	-------------	-----------------------------------	----------

1 2 3 4 5 6 7 8