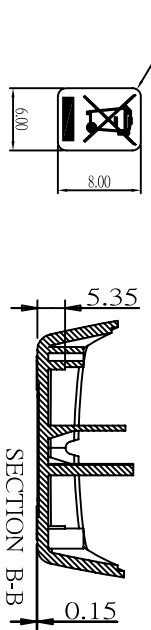
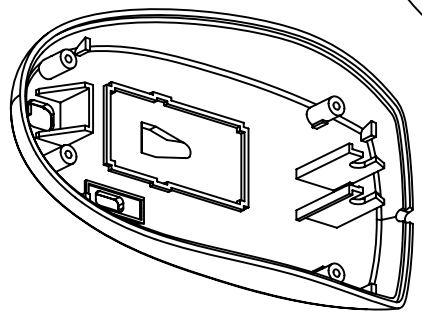
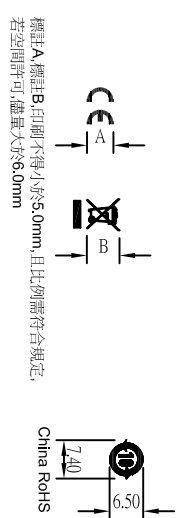
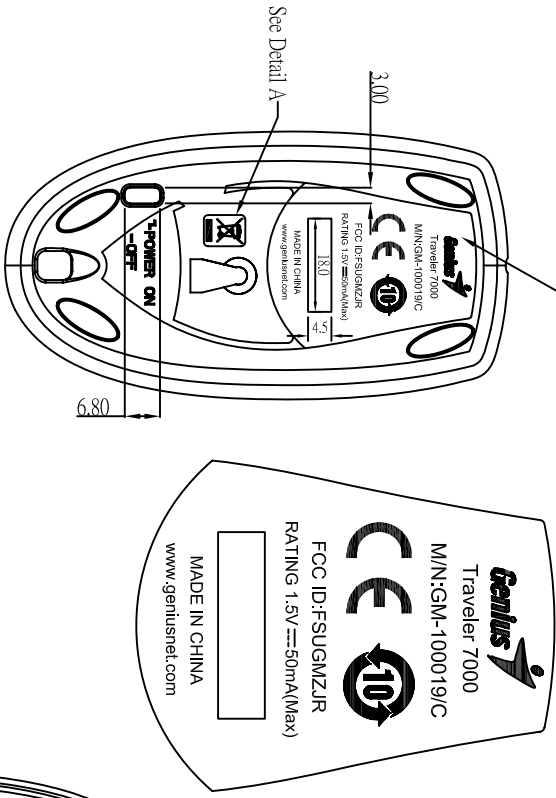
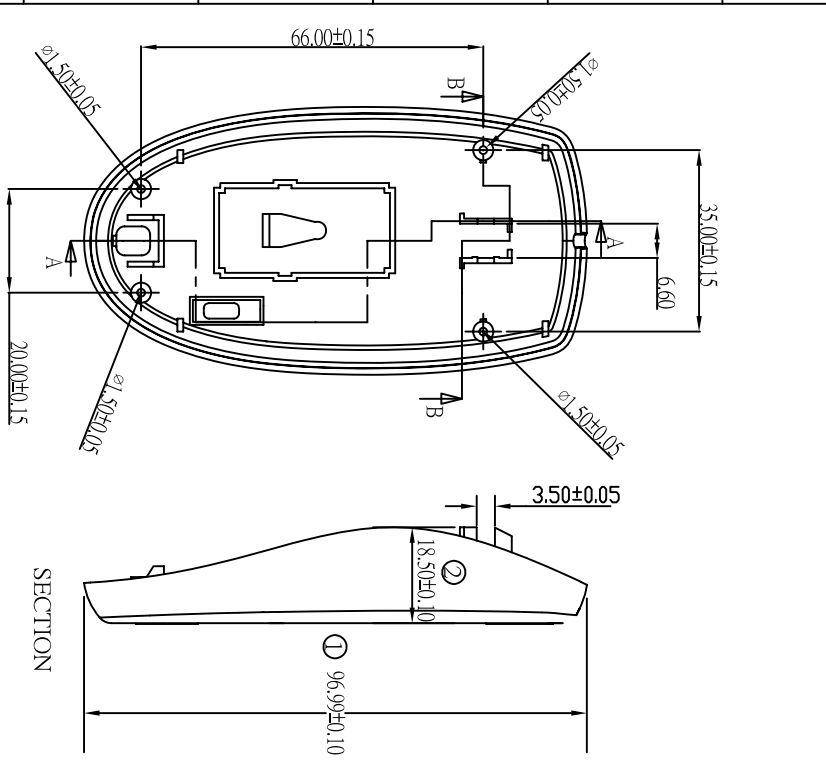


REVISION	0
RELEASED FOR SOURCING CHECKED	
VIVIAN 8/11/2011	1
RELEASED FOR SOURCING CHECKED	JDD-00XXXX
VIVIAN 8/11/2011	A



WEEE
Detail A
SCALE:2/1

- NOTE:
1. TOL.: XX±0.25 .XXX±0.15 UNLESS SPECIFIED
 2. MATERIAL: ABS
 3. DRAFT ANGLE: 1.0° PER SIDE
 4. FINISH: TEXTURE MT-11010
 5. SHAPE DIMS. FINISHED AS PRO-E 3D MODEL
 6. IQC CHECKED DIMENSION O CPK DIMENSION
 7. FCC 處為鍍銅互換
 8. 互換鑲件，共用15110023101下蓋模具。

SHEET 1 OF 1

15110468102-A

TOLERANCES			
LINEAR	INCH	MM	ANGLE
XX	±0.25		
XXX		±0.15	
XXXX			±

(UNLESS OTHERWISE SPECIFIED)

KYE KYE Systems Corp.

DESCRIPTION:	DRAWG NO: 15110468102		
TOOLING: TRAVELER 7000 COB BOTTOM.LTX	CHECKED BY:	APPROVED BY:	REV
DRAWN BY: VIVIAN 8/11/2011	Benjamin 8/11/2011		A

A B C D E F G H 1 2 3 4 5 6 7 8 9 10 11 A3