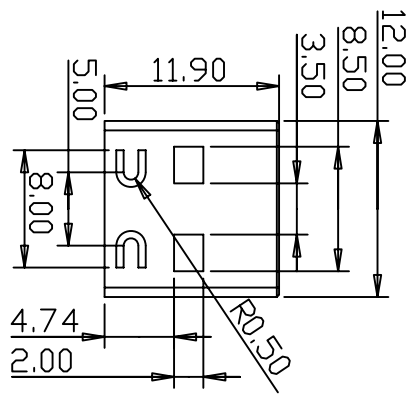


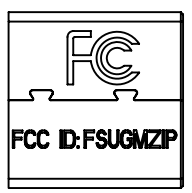
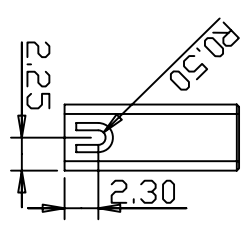
1 2 3 4 5 6 7 8



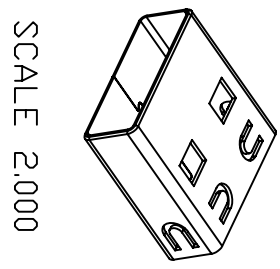
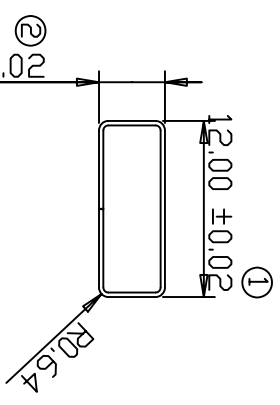
SCALE 1.000



SCALE 2.000



REVISION	0
RELEASED FOR SOURCING ONLY	
HANK 2008/12/08	1
RELEASED FOR CHECKED AND ISSUED	
DCD-006853	
HANK 2008/12/25	A



SCALE 2.000

SHEET 1 OF 1

RS				TOLERANCES	
				LINEAR	INCH
XX	±	±0.02			
XXX	±	±0.02	±		
XXXX	±				
UNLESS OTHERWISE SPECIFIED					



KYE Systems Corporation.

DESCRIPTION: RS, M'TL, GM-080022, USB PART, RX DWG NO.: 152300052101

DRAWN BY: HANK 2008/12/25	CHECKED BY: JACK 2008/12/25	APPROVED BY: JACK 2008/12/25	REV A
---------------------------	-----------------------------	------------------------------	-------

- NOTE:
1. MATERIAL: 黃銅+電鍍
 2. T=0.3mm
 3. SCALE: 2:1
 4. ○ THE SYMBOL INDICATE A CRITICAL DIM. IQC 100% MATL. INCOMING SPEC.
 5. RESTRICTED SUBSTANCE SPEC. REFERENCE TD: DKC-QCD-S-095
 6. 參考舊有料號 15230005100

1 2 3 4 5 6 7 8 A4