



**Spectrum Research
& Testing Lab., Inc.**

No. 101-10, Ling 8,
Shan-Tong Li, Chung-Li
City, Taoyuan, Taiwan,
R.O.C.

TEST REPORT

Reference No.:A07011803
Report No.:FCCA07011803
FCC ID:FSUGMZHU
Page:1 of 22
Date: Jan. 24, 2007

Product Name: Wireless Mouse
Model No.: GM-060036/T
Applicant: KYE SYSTEMS CORP.
No. 492, Sec. 5, Chung Hsin Rd., San Chung,
Taipei Hsien, 241, Taiwan, R.O.C.
Date of Receipt: Jan. 18, 2007
Finished date of Test: Jan. 24, 2007
Applicable Standards: 47 CFR Part 15, Subpart C
ANSI C63.4:2003

We, **Spectrum Research & Testing Laboratory Inc.**, hereby certify that one sample of the above was tested in our laboratory with positive results according to the above-mentioned standards. The records in the report are an accurate account of the results. Details of the results are given in the subsequent pages of this report.

Tested By : Lily Yang , Date: Jan/24/2007
(Lily Yang)

Approved By : J Ho , Date: 1/24/2007
(Johnson Ho, Director)

NVLAQ®

Lab Code: 200099-0



Table of Contents

1.	DOCUMENT POLICY AND TEST STATEMENT	3
1.1	DOCUMENT POLICY	3
1.2	TEST STATEMENT.....	3
1.3	EUT MODIFICATION	3
2.	DESCRIPTION OF EUT AND TEST MODE	4
2.1	GENERAL DESCRIPTION OF EUT	4
2.2	DESCRIPTION OF EUT INTERNAL DEVICE	4
2.3	DESCRIPTION OF TEST MODE.....	4
2.4	DESCRIPTION OF SUPPORT UNIT	5
3.	DESCRIPTION OF APPLIED STANDARDS	5
4.	CONDUCTED EMISSION TEST.....	6
4.1	CONDUCTED EMISSION LIMIT	6
4.2	TEST EQUIPMENT.....	6
4.3	TEST SETUP	7
4.4	TEST PROCEDURE	7
4.5	EUT OPERATING CONDITION.....	7
4.6	TEST RESULT	8
-5.	RADIATED EMISSION TEST	9
5.1	RADIATED EMISSION LIMIT	9
5.2	TEST EQUIPMENT.....	10
5.3	TEST SET-UP	11
5.4	TEST PROCEDURE	12
5.5	EUT OPERATING CONDITION.....	12
5.6	RADIATED EMISSION TEST RESULT	13
6.	BAND EDGE.....	16
6.1	BAND EDGE LIMIT	16
6.2	TEST EQUIPMENT.....	16
6.3	TEST SET-UP	16
6.4	TEST PROCEDURE	16
6.5	EUT OPERATING CONDITION.....	16
6.6	BAND EDGE TEST RESULT	17
7.	PHOTOS OF TESTING.....	18
8.	TERMS OF ABBREVIATION	22



**Spectrum Research
& Testing Lab., Inc.**

No. 101-10, Ling 8,
Shan-Tong Li, Chung-Li
City, Taoyuan, Taiwan,
R.O.C.

TEST REPORT

Reference No.:A07011803
Report No.:FCCA07011803
FCC ID:FSUGMZHU
Page:3 of 22
Date: Jan. 24, 2007

1. DOCUMENT POLICY AND TEST STATEMENT

1.1 DOCUMENT POLICY

- The report shall not be reproduced except in full, without the written approval of SRT Lab, Inc.
- The report must not be used by the applicant to claim that the product is endorsed by NVLAP, TÜV, NEMKO and SRT.
- The NVLAP logo applies only to the applicable standards specified in this report.

1.2 TEST STATEMENT

- The test results in the report apply only to the unit tested by SRT Lab.
- There was no deviation from the requirements of test standards during the test.
- Power source, 3 Vdc(for EUT) and 120 Vac/60 Hz(for support units), was used during the test.

1.3 EUT MODIFICATION

- No modification in SRT Lab.



**Spectrum Research
& Testing Lab., Inc.**

No. 101-10, Ling 8,
Shan-Tong Li, Chung-Li
City, Taoyuan, Taiwan,
R.O.C.

TEST REPORT

Reference No.:A07011803
Report No.:FCCA07011803
FCC ID:FSUGMZHU
Page:4 of 22
Date: Jan. 24, 2007

2. DESCRIPTION OF EUT AND TEST MODE

2.1 GENERAL DESCRIPTION OF EUT

Product	Wireless Mouse
Moedl No.	GM-060036/T
Power Supply	1.5Vdc from battery
Cable	N/A
Carrier Frequency	27.045 MHz
Number of channel	1
Rated RF Output power	47dBuV
Modulation type	FSK
Mode of operation	Simplex
Channel bandwidth	10KHz
Antenna type	Loop antenna

NOTE :

For more detailed features, please refer to the manufacturer's specification or User's Manual.

2.2 DESCRIPTION OF EUT INTERNAL DEVICE

DEVICE	BRAND / MAKER	MODEL #	FCC ID/DOC	REMARK
N/A				

2.3 DESCRIPTION OF TEST MODE

N/A (It is only applicable to more than one test mode.)

**Spectrum Research & Testing Lab., Inc.**

No. 101-10, Ling 8,
Shan-Tong Li, Chung-Li
City, Taoyuan, Taiwan,
R.O.C.

TEST REPORT

Reference No.:A07011803
Report No.:FCCA07011803
FCC ID:FSUGMZHU
Page:5 of 22
Date: Jan. 24, 2007

2.4 DESCRIPTION OF SUPPORT UNIT

The EUT was configured by the requirement of ANSI C63.4:2003 and CISPR22:2003. All interface ports were connected to the appropriate support units via specific cables. The support units and cables are listed below.

NO	DEVICE	BRAND	MODEL #	FCC ID/DOC	CABLE
1	Printer	HP	deskjet 3420	N/A	1.5m unshielded power cord 1.5m shielded data cable
2	Keyboard	Acer	KU-0355	N/A	1.5m shielded data cable
3	NoteBook	Dell	N521071	N/A	1.8m unshielded power cord
4	Monitor	SANGSUNG	700IFT	N/A	1.6m unshielded power cord 1.5m shielded data cable
5	Speaker	HI-FI	JB-599	N/A	2.0m unshielded power cord

NOTE : For the actual test configuration, please refer to the photos of testing.

3. DESCRIPTION OF APPLIED STANDARDS

The EUT is a kind of wireless product and to be connected with a PC system for normal use. According to the specifications provided by the applicant, it must comply with the requirements of the following standards:

47 CFR Part 15, Subpart C
ANSI C63.4:2003

All tests have been performed and recorded as per the above standards.



4. CONDUCTED EMISSION TEST

4.1 CONDUCTED EMISSION LIMIT

FREQUENCY (MHz)	Class A (dB μ V)		Class B (dB μ V)	
	Quasi-peak	Average	Quasi-peak	Average
0.15 - 0.5	79	66	66 - 56	56 - 46
0.5 - 5.0	73	60	56	46
5.0 - 30.0	73	60	60	50

NOTE:

1. The lower limit shall apply at the transition frequencies.
2. The limit decreases in line with the logarithm of the frequency in the range of 0.15 to 0.50 MHz.

4.2 TEST EQUIPMENT

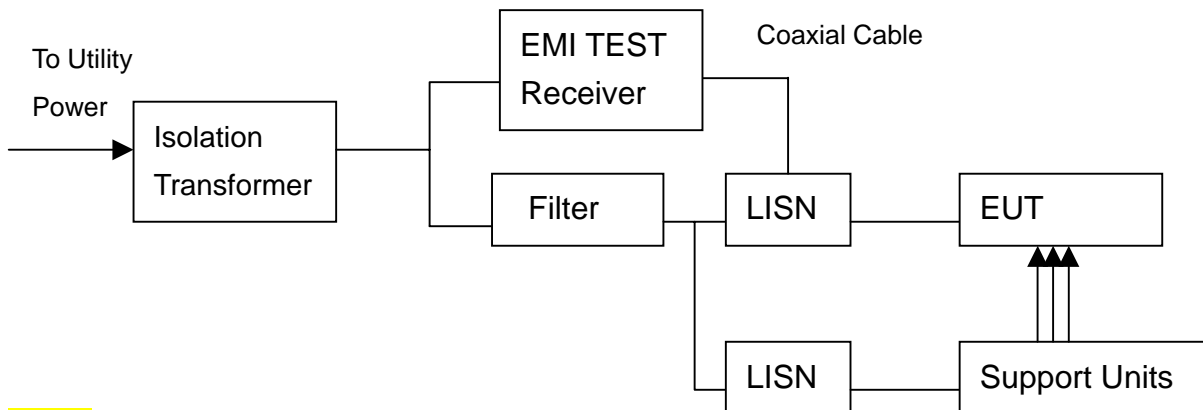
The following test equipment was used for the test:

EQUIPMENT/ FACILITIES	SPECIFICATIONS	MANUFACTURER	MODEL#/ SERIAL#	DUE DATE OF CAL. & CAL. CENTER
EMI TEST RECEIVER	9 kHz TO 30 MHz	ROHDE & SCHWARZ	ESHS30/ 826003/008	AUG. 2007 ETC
LISN (for EUT)	50 μ H, 50 ohm	SOLAR ELECTRONICS	FCC-LISN-50-25-2 / 01018	NOV. 2007 ETC
LISN (for Peripheral)	50 μ H, 50 ohm	SOLAR ELECTRONICS	9252-50-R-24-BNC / 951318	JUN. 2007 ETC
50 ohm TERMINATOR	50 ohm	HP	11593A/ 2	MAR. 2007 ETC
COAXIAL CABLE	3m	SUNCITY	J400/ 3M	JUL. 2007 SRT
ISOLATION TRANSFORMER	N/A	APC	AFC-11015/ F102040016	N/A
FILTER	2 LINE, 30A	FIL.COIL	FC-943/ 771	N/A
GROUND PLANE	2.3M (H) x 2.4M (W)	SRT	N/A	N/A
GROUND PLANE	2.4M (H) x 2.4M (W)	SRT	N/A	N/A

NOTE: The calibration interval of the above test equipment is one year and the calibrations are traceable to NML/ROC and NIST/USA.



4.3 TEST SETUP



NOTE:

1. The EUT was put on a wooden table with 0.8m heights above ground plane, and 0.4m away from reference ground plane (> 2mx2m).
2. For the actual test configuration, please refer to the photos of testing.
3. The serial no. of the LISN connected to EUT is 951318.
4. The serial no. of the LISN connected to support units is 924839.

4.4 TEST PROCEDURE

The EUT was tested according to the requirement of ANSI C63.4:2003 and CISPR22:2003. The frequency spectrum from 0.15 MHz to 30 MHz was investigated. The LISN used was 50 ohm/50 μ H as specified. All readings were quasi-peak and average values with 10 kHz resolution bandwidth of the test receiver. The EUT system was operated in all typical methods by users. Both lines of the power mains of EUT were measured and the cables connected to EUT and support units were moved to find the maximum emission levels for each frequency. First, find the margin or higher points at least 6 points by software, then use manual to find the maximum data. The procedure is referred on the test procedure of SRT LAB.

4.5 EUT OPERATING CONDITION

1. Set the EUT under transmission condition continuously at specific channel frequency.
2. Under Windows XP run "EMI TEST", "WIN FCC" programs and PC sent "H" pattern or accessed the following peripherals directly or via EUT:
 - Color Monitor
 - Printer
 - FDD



4.6 TEST RESULT

Temperature:	<u>25°C</u>	Humidity:	<u>78 %RH</u>
Ferquency Range:	<u>0.15 – 30 MHz</u>	Tested Mode:	<u>Link</u>
Receiver Detector:	<u>Q.P. and AV.</u>	Tested By:	<u>Lily Yang</u>
		Tested Date:	<u>Jan. 22, 2007</u>

Power Line Measured : Line

Freq. (MHz)	Correct. Factor (dB)	Reading Value (dB μ V)		Emission Level (dB μ V)		Limit (dB μ V)		Margin (dB)	
		Q.P.	AV.	Q.P.	AV.	Q.P.	AV.	Q.P.	AV.
0.171	0.30	50.32	41.66	50.62	41.96	65.23	55.23	-14.61	-13.27
0.174	0.30	51.58	42.60	51.88	42.90	64.71	54.71	-12.83	-11.81
0.634	0.22	34.80	31.24	35.02	31.46	56.00	46.00	-20.98	-14.54
1.269	0.14	34.60	31.94	34.74	32.08	56.00	46.00	-21.26	-13.92
3.695	0.19	35.62	27.89	35.81	28.08	56.00	46.00	-20.19	-17.92
6.350	0.22	28.96	23.12	29.18	23.34	60.00	50.00	-30.82	-26.66

Power Line Measured : Neutral

Freq. (MHz)	Correct. Factor (dB)	Reading Value (dB μ V)		Emission Level (dB μ V)		Limit (dB μ V)		Margin (dB)	
		Q.P.	AV.	Q.P.	AV.	Q.P.	AV.	Q.P.	AV.
0.174	0.30	52.52	44.16	52.82	44.46	64.63	54.63	-11.81	-10.17
0.519	0.24	39.22	36.56	39.46	36.80	64.54	54.54	-25.08	-17.74
1.903	0.16	25.54	21.03	25.70	21.19	56.00	46.00	-30.30	-24.81
3.061	0.18	31.14	27.32	31.32	27.50	56.00	46.00	-24.68	-18.50
12.704	0.24	26.02	20.19	26.26	20.43	60.00	50.00	-33.74	-29.57
14.145	0.25	24.12	15.76	24.37	16.01	60.00	50.00	-35.63	-33.99

NOTE :

1. Measurement uncertainty is +/-1.32dB
2. Emission level = Reading value + Correction factor
3. Correction Factor = Cable loss + Insertion loss of LISN
4. Margin value = Emission level - Limit
5. The emission of other frequencies were very low against the limit.
6. "-": The Quasi-peak reading value also meets average limit and measurement with the average detector is unnecessary.



-5. RADIATED EMISSION TEST

5.1 RADIATED EMISSION LIMIT

FCC Part 15, Subpart C Section 15.227.

FREQUENCY (MHz)	DISTANCE (m)	FIELD STRENGTH (dB μ V/m)	
		PEAK	AVERAGE
26.96 - 27.28	3	100.0	80.0

FCC Part 15, Subpart B Section 15.209.

FREQUENCY (MHz)	DISTANCE (m)	FIELD STRENGTH (dB μ V/m)
30 - 88	3	40.0
88 - 216	3	43.5
216 - 960	3	46.0
Above 960	3	54.0

NOTE :

1. In the emission tables above, the tighter limit applies at the band edges.
2. Distance refers to the distance between measuring instrument, antenna, and the closest point of any part of the device or system.



5.2 TEST EQUIPMENT

The following test equipment was used during the radiated emission test:

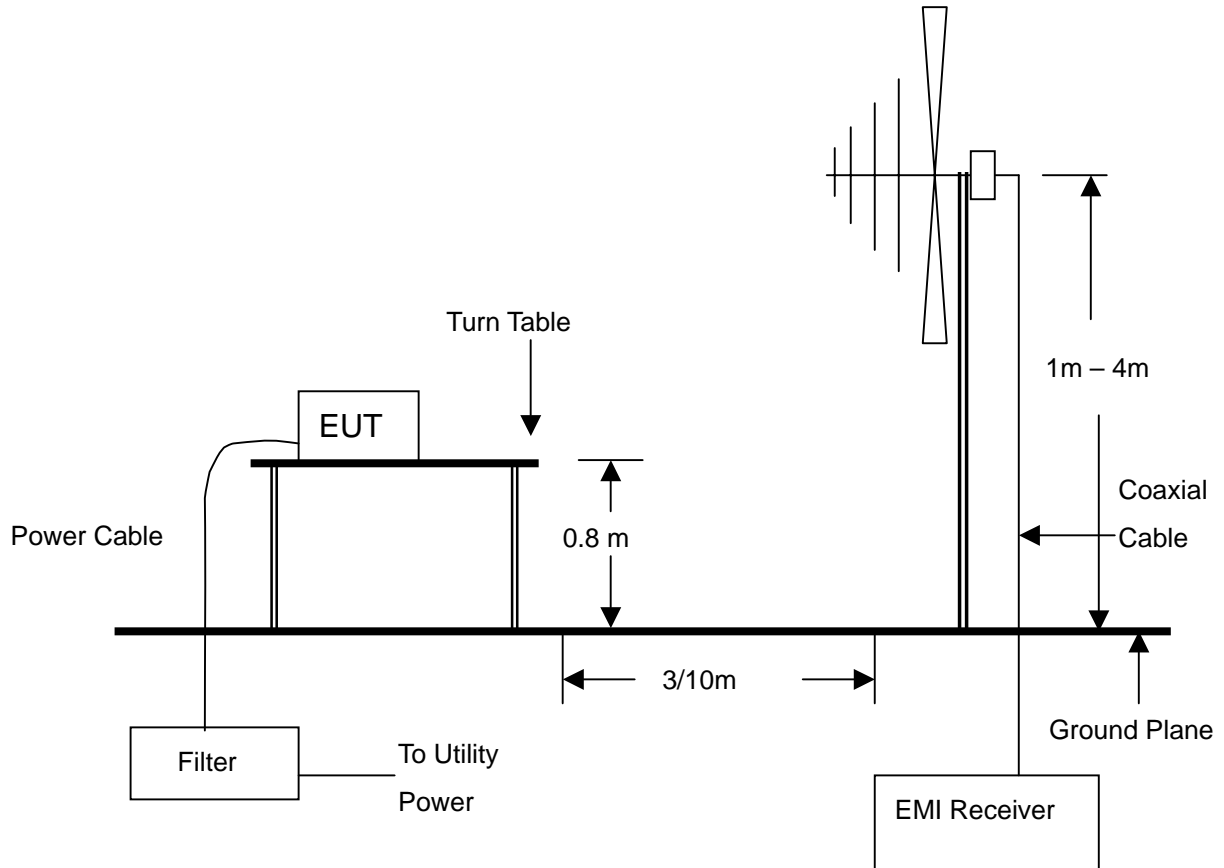
EQUIPMENT/ FACILITIES	SPECIFICATIONS	MANUFACTURER	MODEL#/ SERIAL#	DUE DATE OF CAL. & CAL. CENTER
EMI TEST RECEIVER	20 kHz TO 1 GHz	ROHDE & SCHWARZ	ESVS30/ 841977/003	SEP. 2007 ETC
BI-LOG ANTENNA	25 MHz TO 2 GHz	EMCO	3142/ 9701-1124	APR. 2007 SRT
DIPOLE ANTENNA	30 MHz TO 1 GHz	EMCO	3121C/ 9611-1239	MAR. 2007 ETC
SPECTRUM ANALYZER	9 KHz TO 26.5 GHz	HP	8593E/ 3710A03220	MAY 2007 ETC
PRE-AMPLIFIER	1 GHz TO 26.5 GHz	HP	8449B/ 3008A01019	NOV. 2007 ETC
LOOP ANTENNA	9 KHz TO 30 MHz	R&S	HFH2-Z2/1162 1/2	JAN, 2007 SRT
OATS	3 – 10 M MEASUREMENT	SRT	SRT-1	APR. 2007 SRT
COAXIAL CABLE	25M	SUNCITY	J400/ 25M	AUG. 2007 SRT
FILTER	2 LINE, 30A	FIL.COIL	FC-943/ 869	N/A
FREQUENCY CONVERTER	N/A	APC	AFC-2KBB/ F100030031	AUG. 2007 SRT

NOTE:

1. The calibration interval of the above test equipment is one year and the calibrations are traceable to NML/ROC and NIST/USA.
2. The Open Area Test Site (SRT-1) is registered by FCC with No. 90957 and VCCI with No. R-1081.
3. The Open Area Test Site (SRT-2) is registered by FCC with No. 98458 and VCCI with No. R-1168.



5.3 TEST SET-UP



NOTE :

1. The EUT system was put on a wooden table with 0.8m heights above a ground plane.
2. For the actual test configuration, please refer to the photos of testing.



**Spectrum Research
& Testing Lab., Inc.**

No. 101-10, Ling 8,
Shan-Tong Li, Chung-Li
City, Taoyuan, Taiwan,
R.O.C.

TEST REPORT

Reference No.:A07011803
Report No.:FCCA07011803
FCC ID:FSUGMZHU
Page:12 of 22
Date: Jan. 24, 2007

5.4 TEST PROCEDURE

The EUT was tested according to the requirement of ANSI C63.4:2003 and CISPR 22:2003. The measurements were made at an open area test site with 10 meter measurement distance under 1 GHz and with 3m distance above 1GHz. The frequency spectrum measured started from 30 MHz. Under 1 GHz, all readings were quasi-peak values with 120 kHz resolution bandwidth of the test receiver. Above 1 GHz, the measurements were made at an open area test site with 3 meter measurement distance and all readings were peak or average values with 1 MHz resolution bandwidth of the test receiver. The EUT system was operated in all typical methods by users. The cables connected to EUT and support units were moved to find the maximum emission levels for each frequency. First, find the margin or higher points at least 6 points by software, then use manual to find the maximum data. The procedure is referred on the test procedure of SRT LAB.

5.5 EUT OPERATING CONDITION

Same as section 4.5 of this report.



Spectrum Research & Testing Lab., Inc.

No. 101-10, Ling 8,
Shan-Tong Li, Chung-Li
City, Taoyuan, Taiwan,
R.O.C.

TEST REPORT

Reference No.:A07011803
Report No.:FCCA07011803
FCC ID:FSUGMZHU
Page:13 of 22
Date: Jan. 24, 2007

5.6 RADIATED EMISSION TEST RESULT

Temperature: 18°C Humidity: 68 %RH
 Frequency Range: 9K - 1000 MHz Measured Distance: 3m
 Receiver Detector: PK & AV. Tested Mode: TX (Fundamental
 Tested Date: Jan. 24, 2007 Frequency)
 Tested By: Lily Yang

Fundamental frequency of transmitter

Frequency (MHz)	Cable Loss (dB)	Antenna Factor (dB/m)	Reading Data (dB μ V)	Emission Level (dB μ V/m)	Limit (dB μ V/m)	Margin (dB)
27.045	0.03	20.20	18.4(PK)	38.6	100.0	-61.4

Receiver Detector: Q.P. Tested Mode: TX (Harmonic)

Frequency (MHz)	Antenna Polarization	Cable Loss (dB)	Antenna Factor (dB/m)	Reading Data (dB μ V)	Emission Level (dB μ V/m)	Limit (dB μ V/m)	Margin (dB)
54.0880	H	0.87	4.98	12.0	17.8	40.0	-22.2
81.1100	H	1.26	8.18	12.8	22.2	40.0	-17.8

**Spectrum Research
& Testing Lab., Inc.**No. 101-10, Ling 8,
Shan-Tong Li, Chung-Li
City, Taoyuan, Taiwan,
R.O.C.**TEST REPORT**Reference No.:A07011803
Report No.:FCCA07011803
FCC ID:FSUGMZHU
Page:14 of 22
Date: Jan. 24, 2007Receiver Detector: Q.P. Tested Mode: TX (Spurious)

Frequency (MHz)	Antenna Polarization	Cable Loss (dB)	Antenna Factor (dB/m)	Reading Data (dB μ V)	Emission Level (dB μ V/m)	Limit (dB μ V/m)	Margin (dB)
81.1100	H	1.26	8.18	12.8	22.2	40.0	-17.8
160.8400	H	2.10	9.00	4.8	15.9	43.5	-27.6
219.6300	H	2.85	10.36	4.2	17.4	46.0	-28.6
296.7500	H	3.91	13.52	3.8	21.2	46.0	-24.8
349.0000	H	4.70	14.78	4.3	23.8	46.0	-22.2
418.0000	H	5.49	15.94	4.2	25.6	46.0	-20.4
113.4200	V	1.71	7.24	17	25.9	43.5	-17.6
160.9500	V	2.10	9.00	8	19.1	43.5	-24.4
188.4100	V	2.49	11.26	7.2	21.0	43.5	-22.5
250.0200	V	3.77	11.50	9.5	24.8	46.0	-21.2
319.6000	V	3.82	14.12	5.2	23.1	46.0	-22.9
399.9000	V	4.70	15.88	4.5	25.1	46.0	-20.9

NOTE :

1. Measurement uncertainty is less than +/- 2dB
2. "**": Measurement does not apply for this frequency.
3. Emission Level = Reading Value + Ant. Factor + Cable Loss
4. The field strength of other emission frequencies were very low against the limit.
5. (F) : Fundamental frequency of transmitter.

**Spectrum Research & Testing Lab., Inc.**No. 101-10, Ling 8,
Shan-Tong Li, Chung-Li
City, Taoyuan, Taiwan,
R.O.C.**TEST REPORT**Reference No.:A07011803
Report No.:FCCA07011803
FCC ID:FSUGMZHU
Page:15 of 22
Date: Jan. 24, 2007

Temperature:	18°C	Humidity:	68 %RH
Ferquency Range:	30 – 1000 MHz	Measured Distance:	3m
Receiver Detector:	Q.P.	Tested Mode:	Link
Tested Date:	Jan. 24, 2007	Tested By:	Lily Yang

Antenna Polarization:Horizontal

Frequency (MHz)	Cable Loss (dB)	Antenna Factor (dB/m)	Reading Data (dBμV)	Emission Level (dBμV/m)	Limit (dBμV/m)	Margin (dB)	AZ(°)	EL(m)
248.1600	3.62	11.44	15.6	30.7	46.0	-15.3	355	1.0
299.0000	3.88	13.66	12.8	30.3	46.0	-15.7	0	1.2
336.0000	4.03	14.49	11.6	30.1	46.0	-15.9	330	1.0
400.0300	4.67	15.90	10.6	31.2	46.0	-14.8	350	1.0
575.5300	6.18	17.08	7.5	30.8	46.0	-15.2	340	1.2
671.9600	7.11	19.96	8.5	35.6	46.0	-10.4	330	1.3

Antenna Polarization:Vertical

Frequency (MHz)	Cable Loss (dB)	Antenna Factor (dB/m)	Reading Data (dBμV)	Emission Level (dBμV/m)	Limit (dBμV/m)	Margin (dB)	AZ(°)	EL(m)
152.2200	2.42	9.24	15.5	27.2	43.5	-16.3	180	1.1
213.4400	2.72	10.12	14.5	27.3	43.5	-16.2	0	1.0
274.5200	3.65	12.56	8.6	24.8	46.0	-21.2	10	1.3
430.5900	4.78	15.96	8.2	28.9	46.0	-17.1	40	1.0
458.9700	5.05	16.02	7.2	28.3	46.0	-17.7	5	1.0
473.8700	5.30	16.05	6.5	27.8	46.0	-18.2	0	1.2

NOTE :

1. Measurement uncertainty is +/-2dB.
2. "": Measurement does not apply for this frequency.
3. Emission Level = Reading Value + Ant. Factor + Cable Loss.
4. The field strength of other emission frequencies were very low against the limit.



6. BAND EDGE

6.1 BAND EDGE LIMIT

The field strength of any emissions, which appear outside of this band, shall not exceed the general radiated emission limits in Section 15.209.

6.2 TEST EQUIPMENT

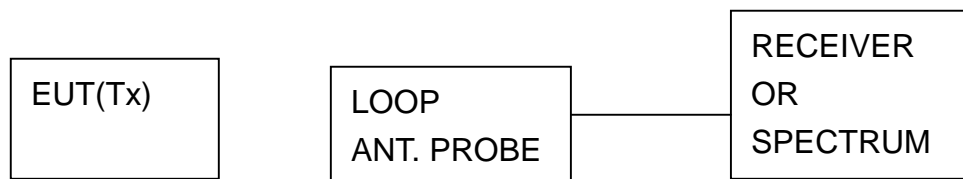
The following test equipment was used during the radiated emission test:

EQUIPMENT/ FACILITIES	SPECIFICATIONS	MANUFACTURER	MODEL#/ SERIAL#	DUE DATE OF CAL. & CAL. CENTER
SPECTRUM	9 kHz TO 7GHz	ROHDE & SCHWARZ	FSP7/ 839511/010	MAY 2007 R&S

NOTE:

The calibration interval of the above test equipment is one year and the calibrations are traceable to NML/ROC and NIST/USA.

6.3 TEST SET-UP



6.4 TEST PROCEDURE

A specific loop antenna was connected to receiver to detect the EUT's power level. The Receiver displayed the EUT's power level and printed out the plot of measurement.

6.5 EUT OPERATING CONDITION

Set the EUT under transmission condition continuously at specific channel frequency.



Spectrum Research & Testing Lab., Inc.
No. 101-10, Ling 8,
Shan-Tong Li, Chung-Li
City, Taoyuan, Taiwan,
R.O.C.

TEST REPORT

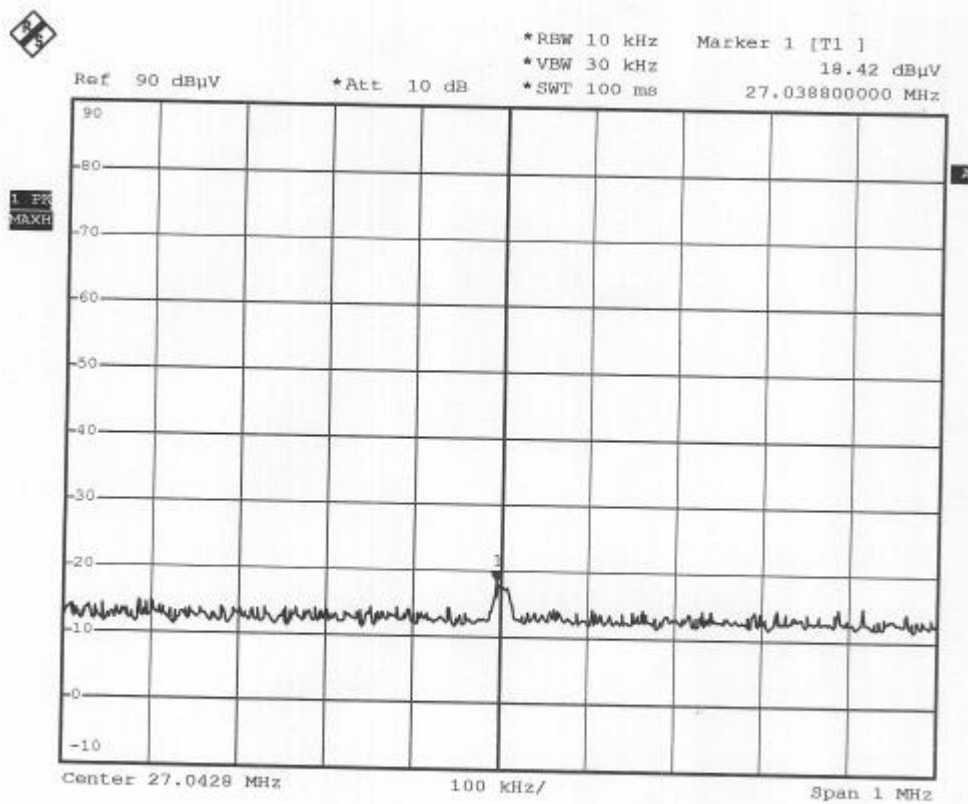
Reference No.:A07011803
Report No.:FCCA07011803
FCC ID:FSUGMZHU
Page:17 of 22
Date: Jan. 24, 2007

6.6 BAND EDGE TEST RESULT

Temperature: 23 °C
Receiver Detector: Peak
Test Result: Pass

Humidity: 68 %RH
Tested By: Lily Yang
Tested Date: Jan. 22, 2007

1. Measurement uncertainty is +/-0.6dB.



Date: 19.JAN.2007 09:51:32

**Spectrum Research
& Testing Lab., Inc.**

No. 101-10, Ling 8,
Shan-Tong Li, Chung-Li
City, Taoyuan, Taiwan,
R.O.C.

TEST REPORT

Reference No.:A07011803
Report No.:FCCA07011803
FCC ID:FSUGMZHU
Page:22 of 22
Date: Jan. 24, 2007

8. TERMS OF ABBREVIATION

AV.	Average detection
AZ(°)	Turn table azimuth
Correct.	Correction
EL(m)	Antenna height (meter)
EUT	Equipment Under Test
Horiz.	Horizontal direction
LISN	Line Impedance Stabilization Network
NSA	Normalized Site Attenuation
Q.P.	Quasi-peak detection
SRT Lab	Spectrum Research & Testing Laboratory, Inc.
Vert.	Vertical direction