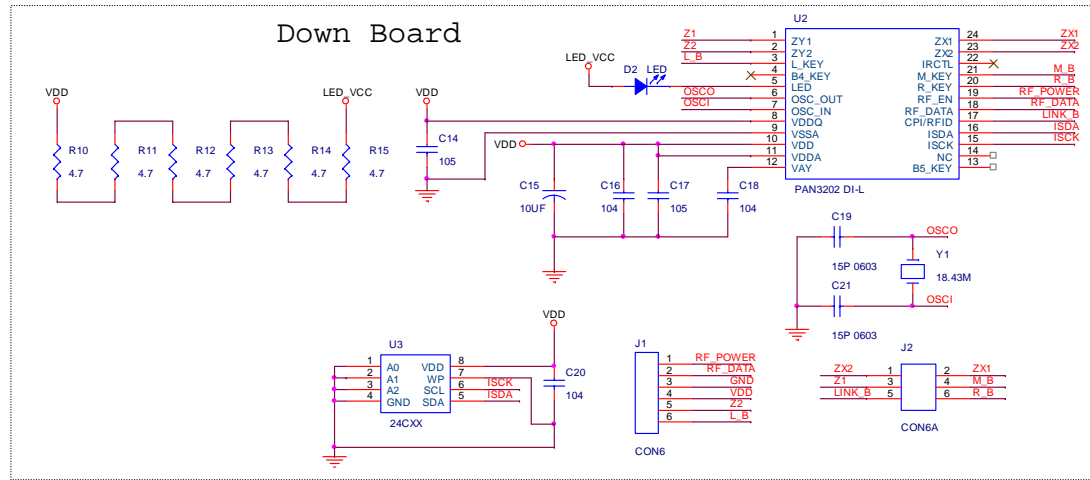
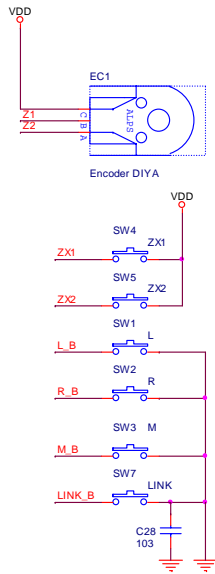
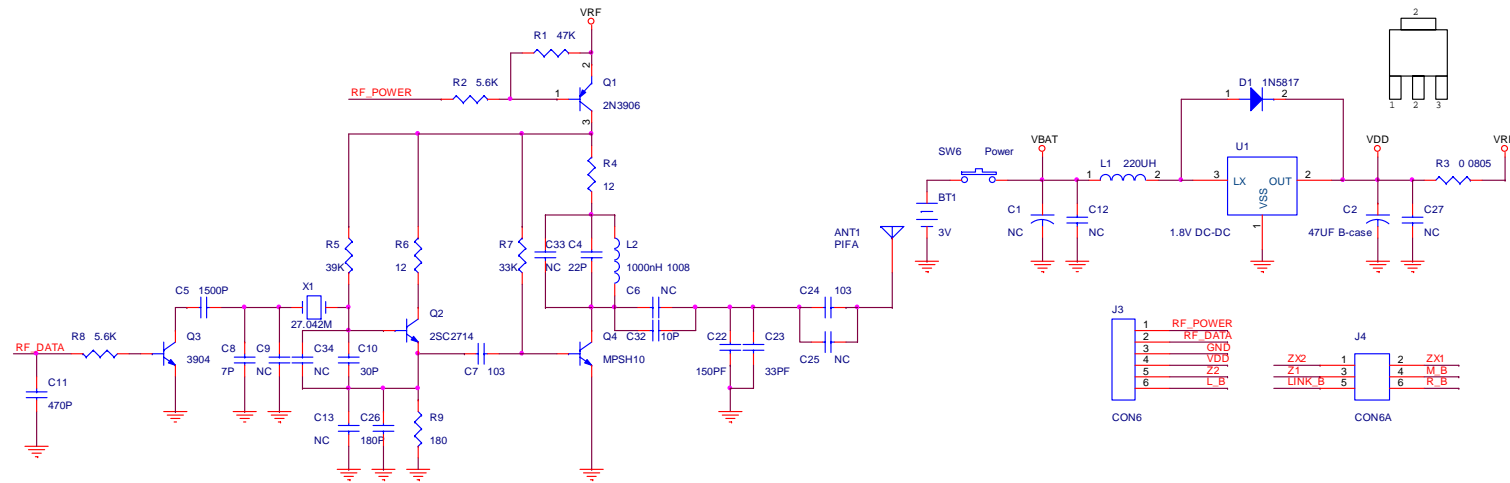


DATE: 2006-11-08
Rev: 1
NEW

DATE: 2006-12-03
Rev: 2
增加C28, ESD修改



PCB		DRW: 彭志豪	CHK: S	APR: S
Title: GM-060036 (Ergo 720 Laser)				
田	Size B	Document Number	Rev A	
淑	Date: Wednesday, January 17, 2007			Sheet 1 of 1
真	Date: 21010038101 PCB: 上板: 10230694100 下板: 10230695100			