

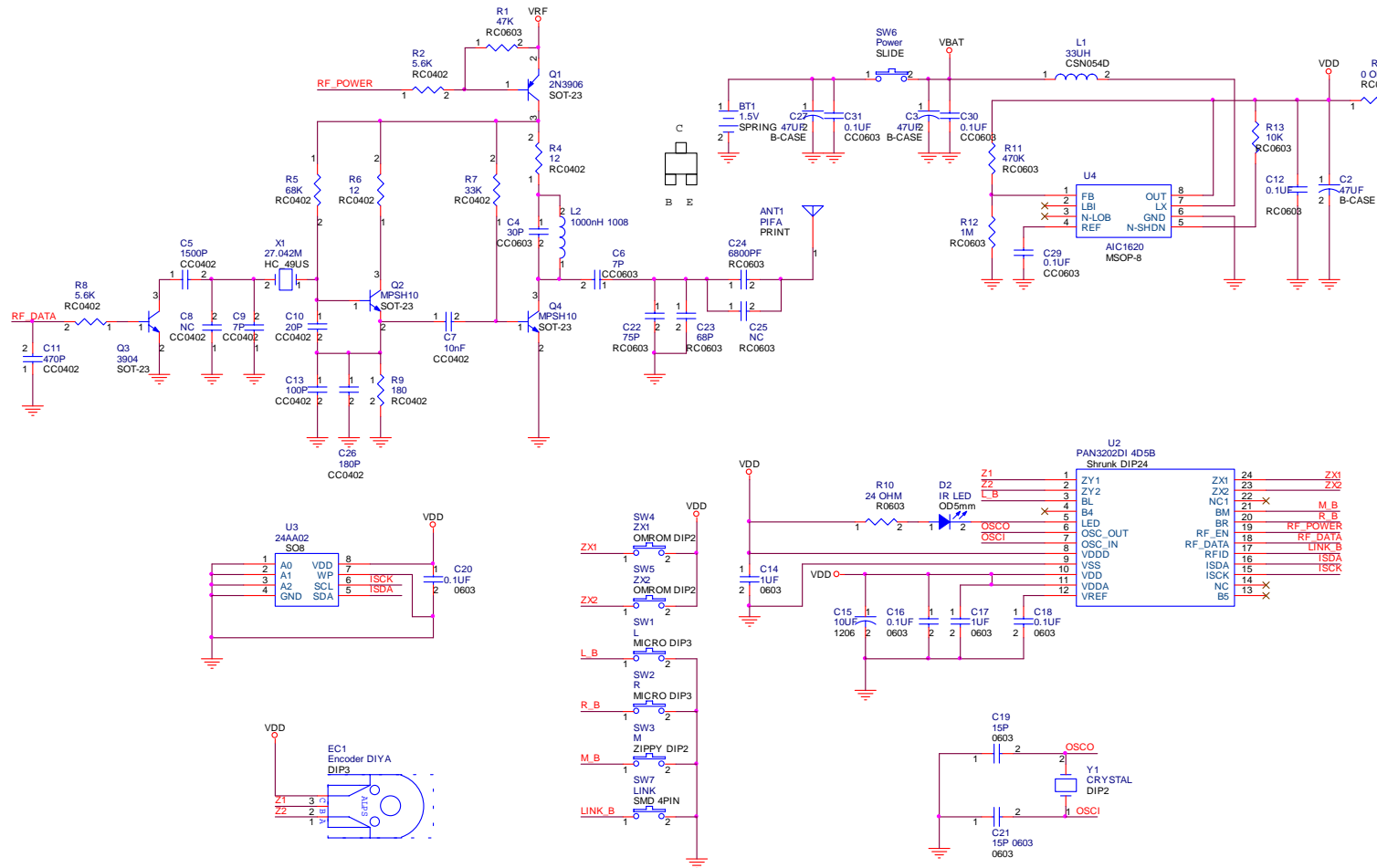
Date:2005-03-16  
Rev:1  
New

Date:2005-04-18  
Rev:2  
1.天線變形(八角型)  
2.天線變形(八角型)  
且減少1圈

Date:2005-04-26  
Rev:3  
1.RF部分不要鋪地  
2.RF部分不要鋪地  
且天線減少一圈

Date:2005-05-18  
Rev:4  
1.RF部分鋪地補強

PCB			
file	RS,GM-05005U,RX,USB,KYE,27M,800DPI		
Size	Document Number	SPCBA:21000402101	Circuit:21010019101
B	PCAB:2000684101		Rev 1
Date:	Tuesday, August 30, 2005	Sheet	1 of 1



Date:2005-08-22  
Rev:1  
New

Date:2005-09-12  
Rev:2  
Add C27,C28,C3  
D1加大

DATE:2005-09-28  
REV:3  
REMOVE C27,C28  
CHANGE DC TO  
DC SOLUTION

PCB		
DRW: 吳坤維 9/28	CHEK:	APR:
Title GM-050016U Traveler 1000/USB TX		
Size B	Document Number CKT:20010445101	Rev 3
Date: Monday, October 17, 2005	Sheet 1	of 1