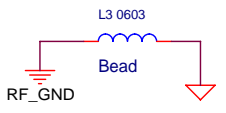
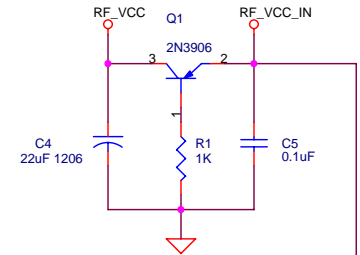
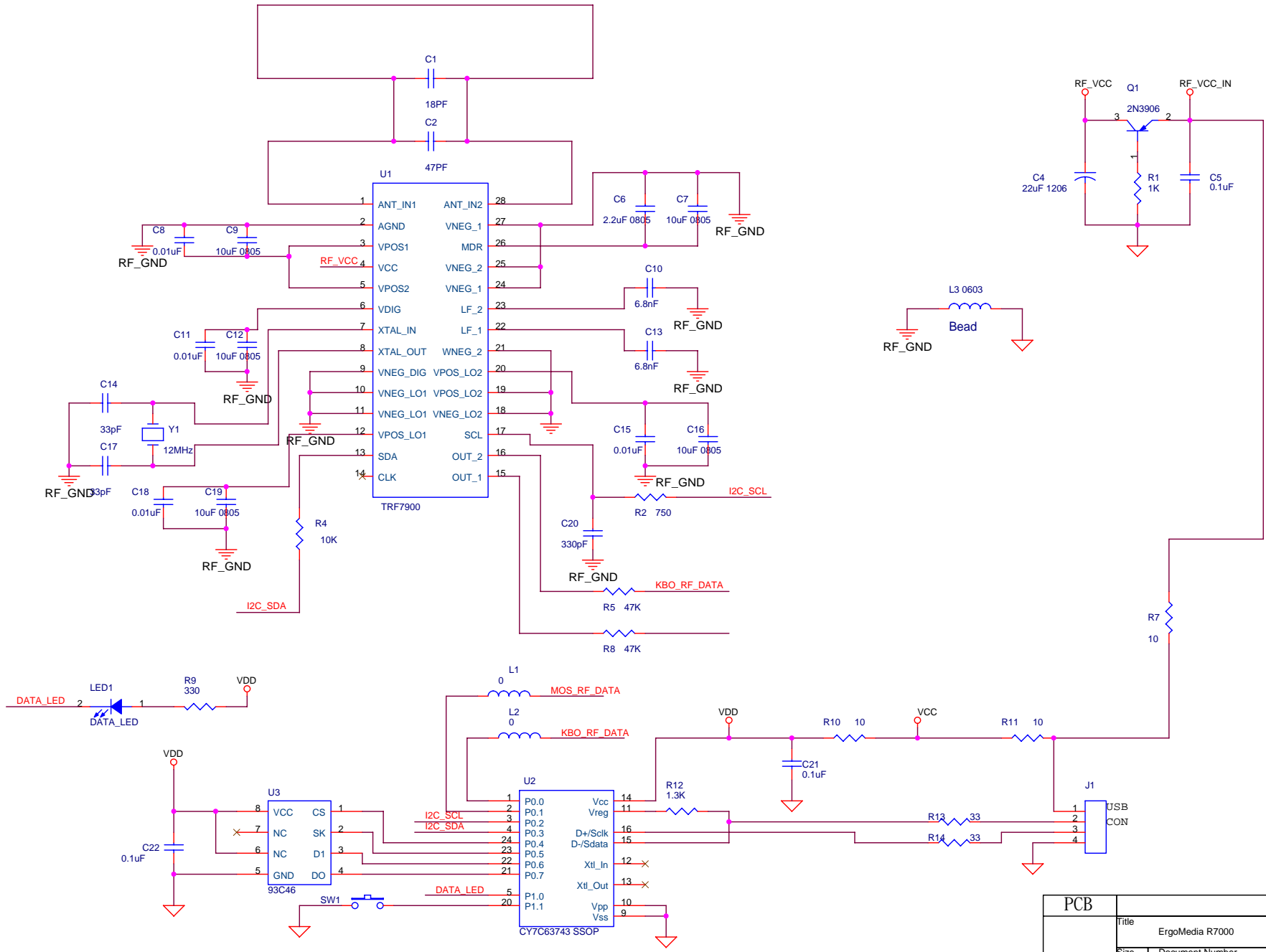


Date:2004-12-9
 Rev:1
 New

Date:2005-5-5
 修改J1 規格
 R3 , R6 拿掉
 C8 改成 0603
 C12,C19 改成 0805

Date:2005-5-23
 Rev:3
 Add L3



PCB		
Title	ErgoMedia R7000	
Size	Document Number	Rev
B	CKT:21010018101	2
Date:	Thursday, August 04, 2005	Sheet 1 of 1