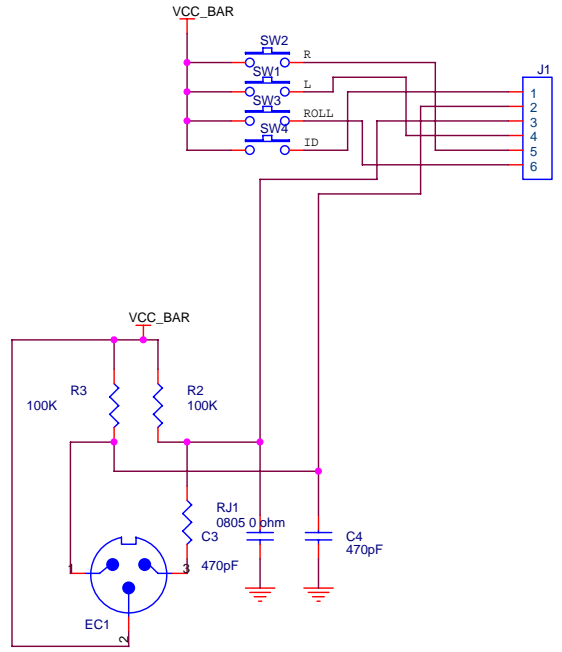
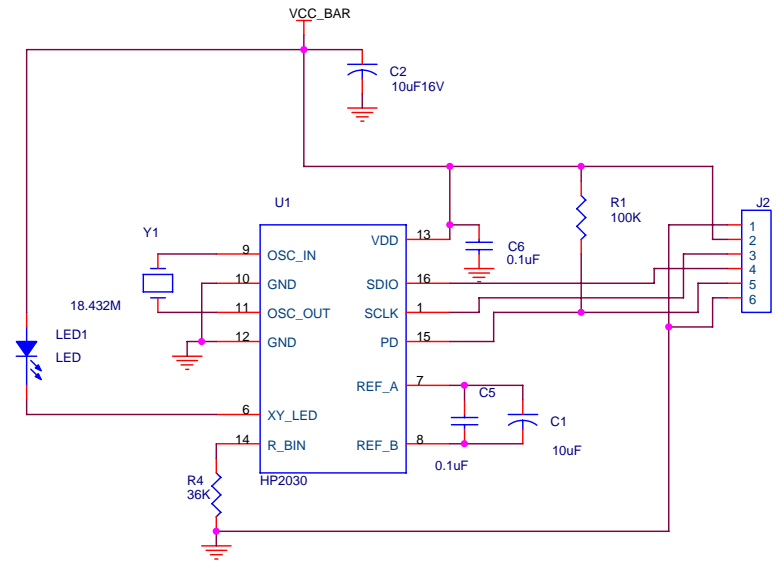


Date:2003-11-21
 Rev:1
 New
 Date:2004-2-17
 Rev:2
 JP1 PIN2
 GND--->VCC_BAR
 ADD RJ1
 Date:2004-7-9
 REV:A
 EC:30401064



PCB				Title APR: 廖志坚7/9/04				CHK: 劉志眠7/9/04				DWG: 楊明遠7/9/04			
Size B		Document Number										Rev A			
張燕華7/9/04		CKT:21010002101 PCB:10230016100													
Date: Thursday, July 29, 2004		Sheet 1 of 1													