

Date:2004-7-26
 Rev:1
 NEW

Date:2004-8-9
 Rev:2
 連片排版

Date:2004-9-8
 REV:A

PCB	Title		GK-04004/T MOUSE
	Size	Document Number	Rev
	B	CKT:20010030100 PCB:10230055100	A
Date:	Wednesday, September 08, 2004	Sheet	1 of 1

DATE:2004-7-26

REV1:NEW

Date:2004-8-9

REV:2

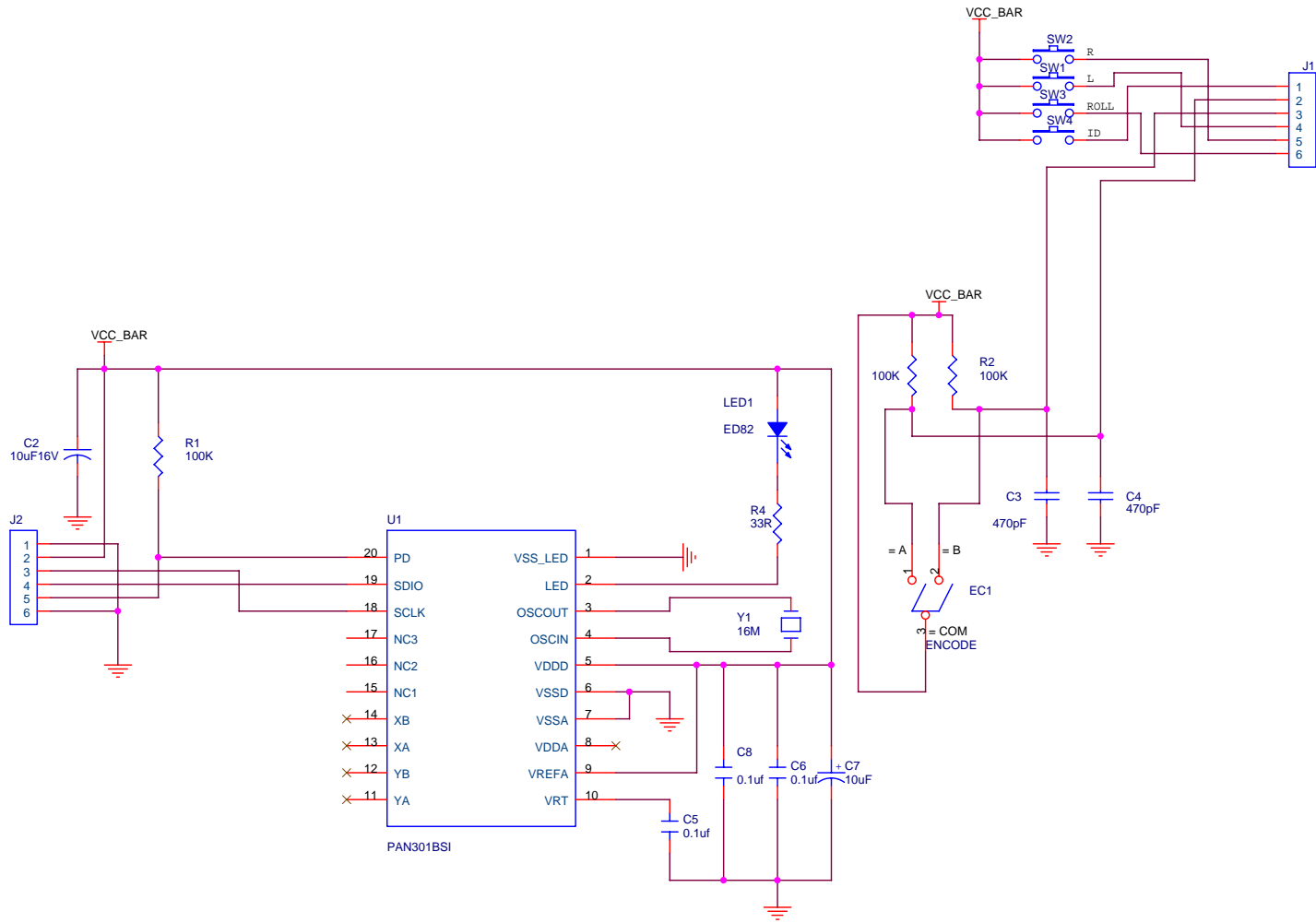
連片排版

DATE:2004-9-8

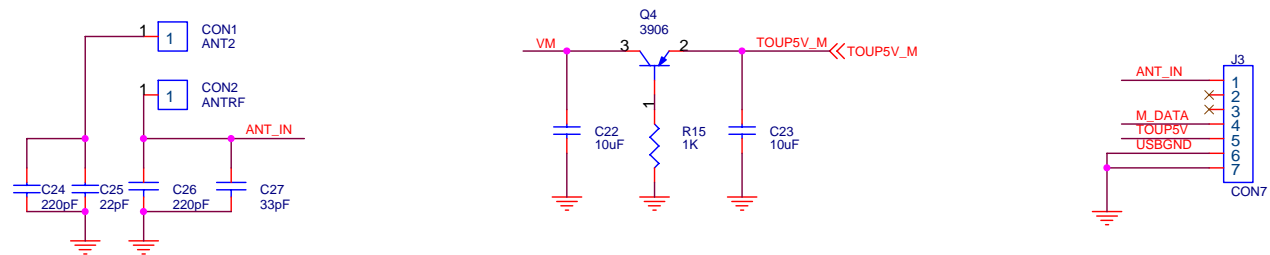
DC:30401973

REV:A

10230054100 REV:2

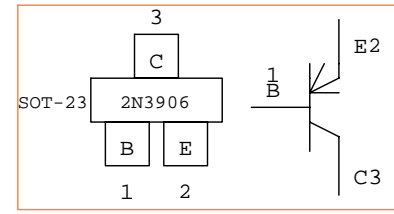
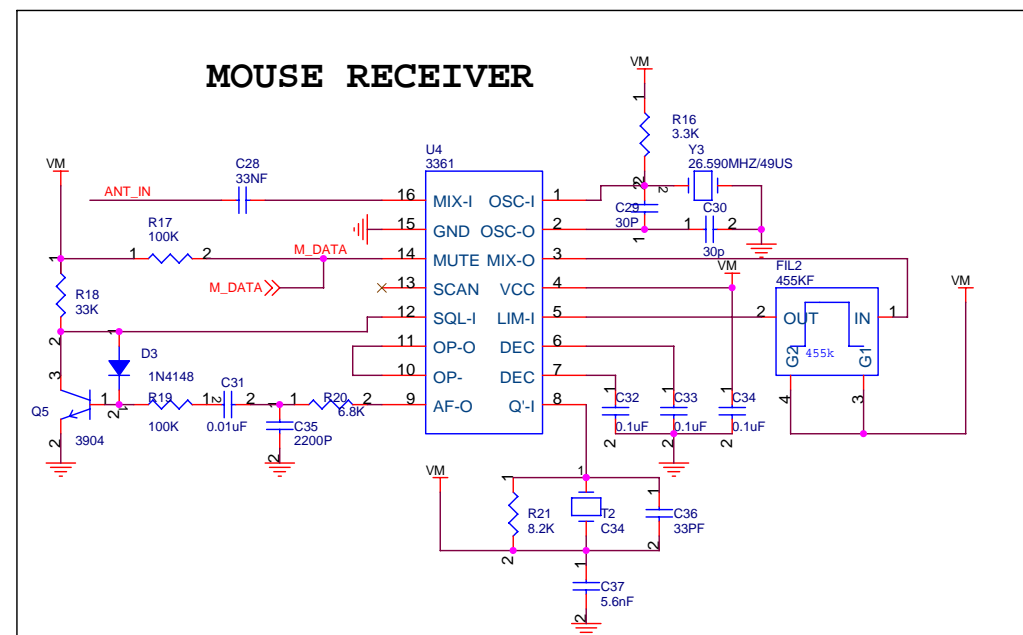


PCB			
Title		GK-04004/T MOUSE	
Size	Document Number	Rev	
B	CIRCUIT:20010031100 PCB:10230054100	A	
Date:	Wednesday, September 08, 2004	Sheet	1 of 1



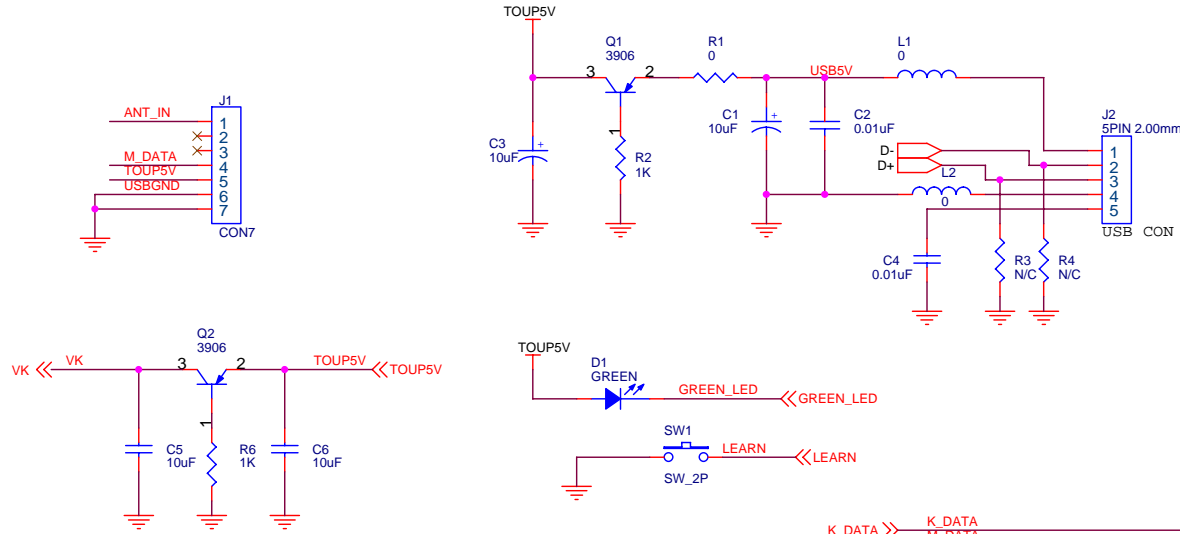
RECEIVER UPBOARD

- FUNCTION INCLUDE
1. Antenna to Keyboard RX
 2. Mouse Receiver



DRW:	CHK:	ARP:
Title: TwinTouch SE		
Size: B	Document Number: CKT:21010008101 PCB:10230058100 Rev:2	Rev: 2
Date: Tuesday, September 14, 2004	Sheet: 2	of 2

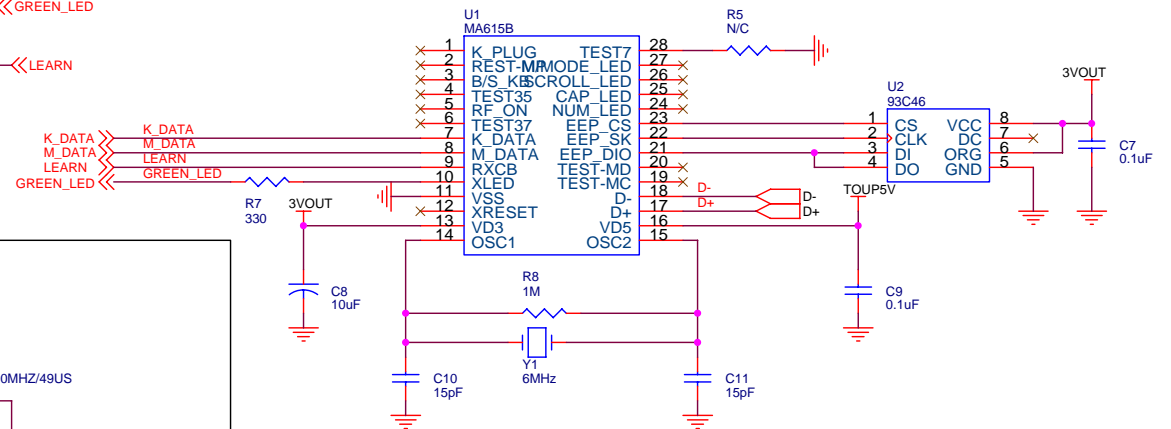
POWER SOLUTION



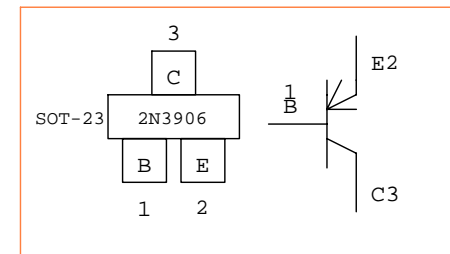
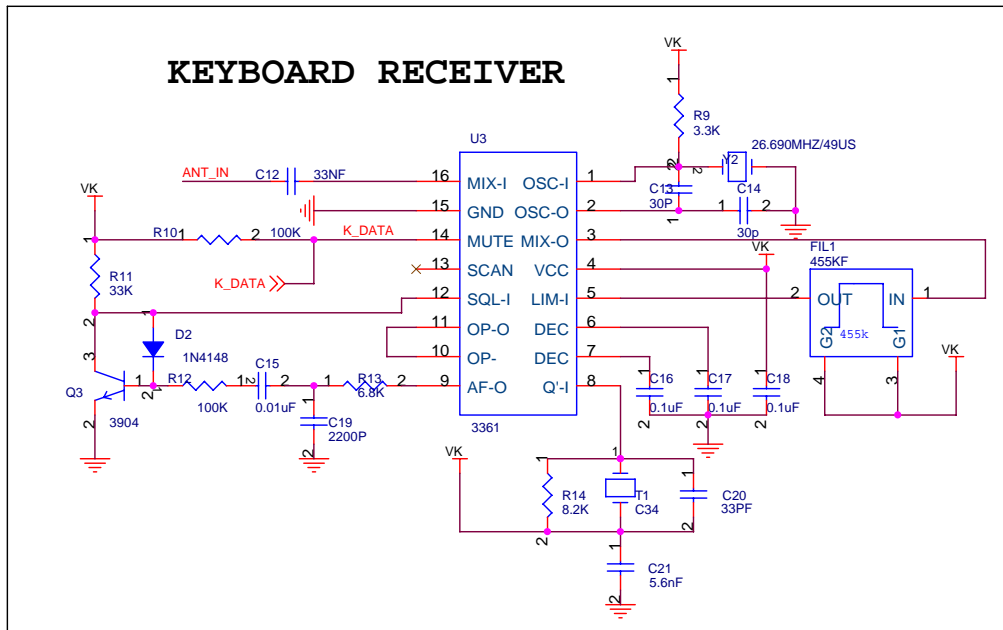
RECEIVER DOWNBOARD

FUNCTION INCLUDE

- 1.USB Power IN and D+D-
- 2.MCU
- 3.Keyboard Receiver
- 4.Learn Bottom * 1
- 5.LED Light * 1



KEYBOARD RECEIVER



DWR:	CHK:	ARP:
Title		
TwinTouch SE/Rx		
Size	Document Number	Rev
B	CKT:21010008101 PCB:10230057100 Ver:2	2
Date:	Tuesday, September 14, 2004	Sheet 1 of 2