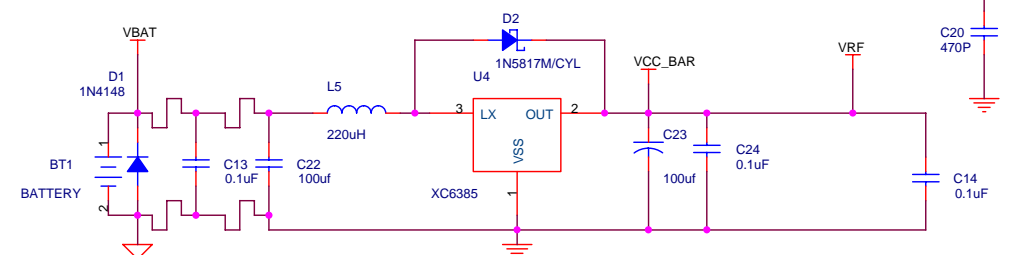
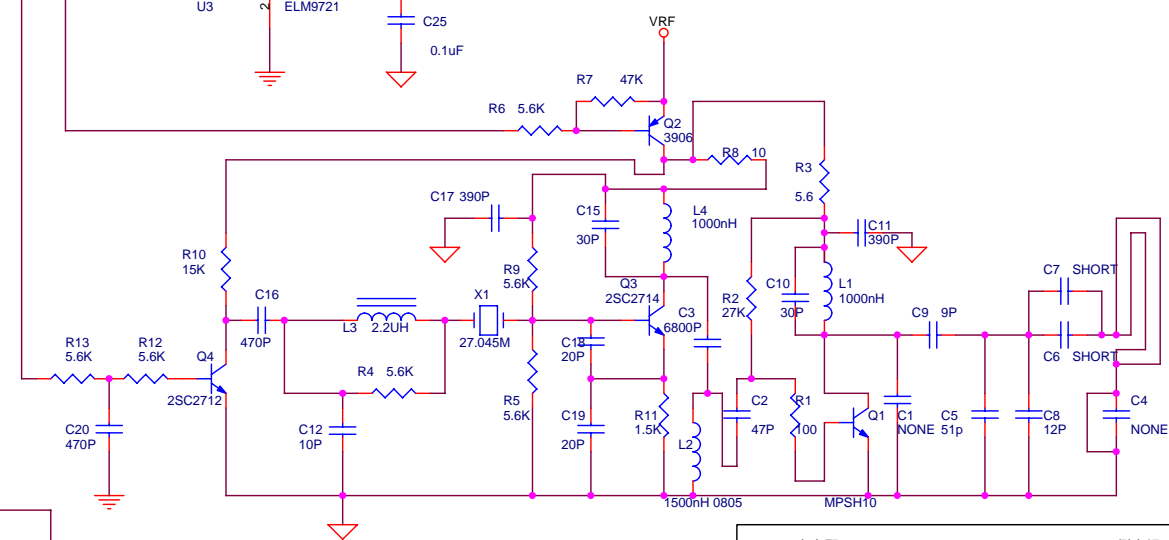
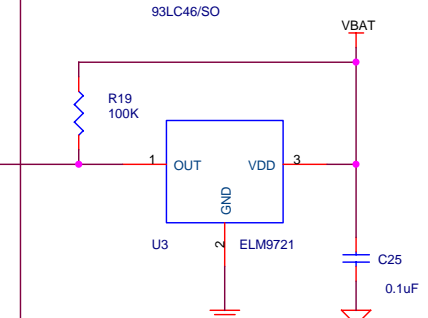


REV1: NEW SEP.11.2002
 REV: 2 10/2/2002
 K023C088: ADD:L7 0805
 DEL: C18
 SHORT C17
 CHANGE C13 NET
 REV:3 10/30/2002
 K023C088: L4 => C30
 J1&J2 REDEFINED
 PARTS REFERENCE REDEFINE
 ZD1 CHANGE TO D2
 K023C089: CHANGE LED POSITION
 K023C089: TACT SW. CHANGE TO MICRO SW.
 PARTS REFERENCE REDEFINE
 REV:A EN22724 Dec.20.2002
 REV:B ECN23038 Jan.13.2003
 K023C088 CHANGE Q4 2N3904 TO 2SC2712
 CHANGE C12 FROM 5P TO 10P



APR: 廖志坚2003/01/14	CHK:	DWG: 刘志钺 2003/01/14
Title: TT+VALUE TX MOUSE		
Size B	Document Number: CKT:K199C118 PCB:K023C088 REV:A	Rev B
Date: Tuesday, July 13, 2004	Sheet 1	of 2