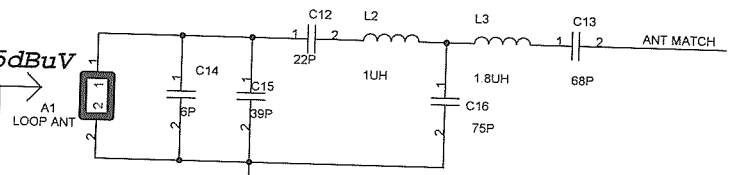
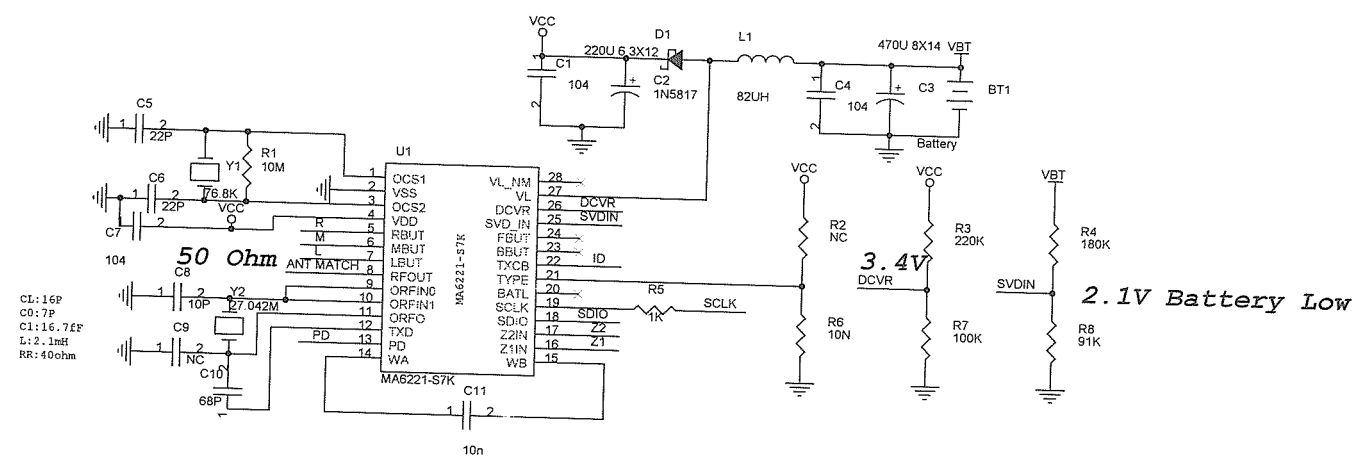
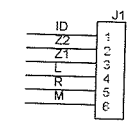
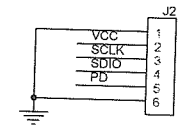


Date:2003-11-21
Rev:1
NEW

Date:2003-12-18
Rev:2
1. Improve Antenna
match
2. J1 Z1&Z2 change



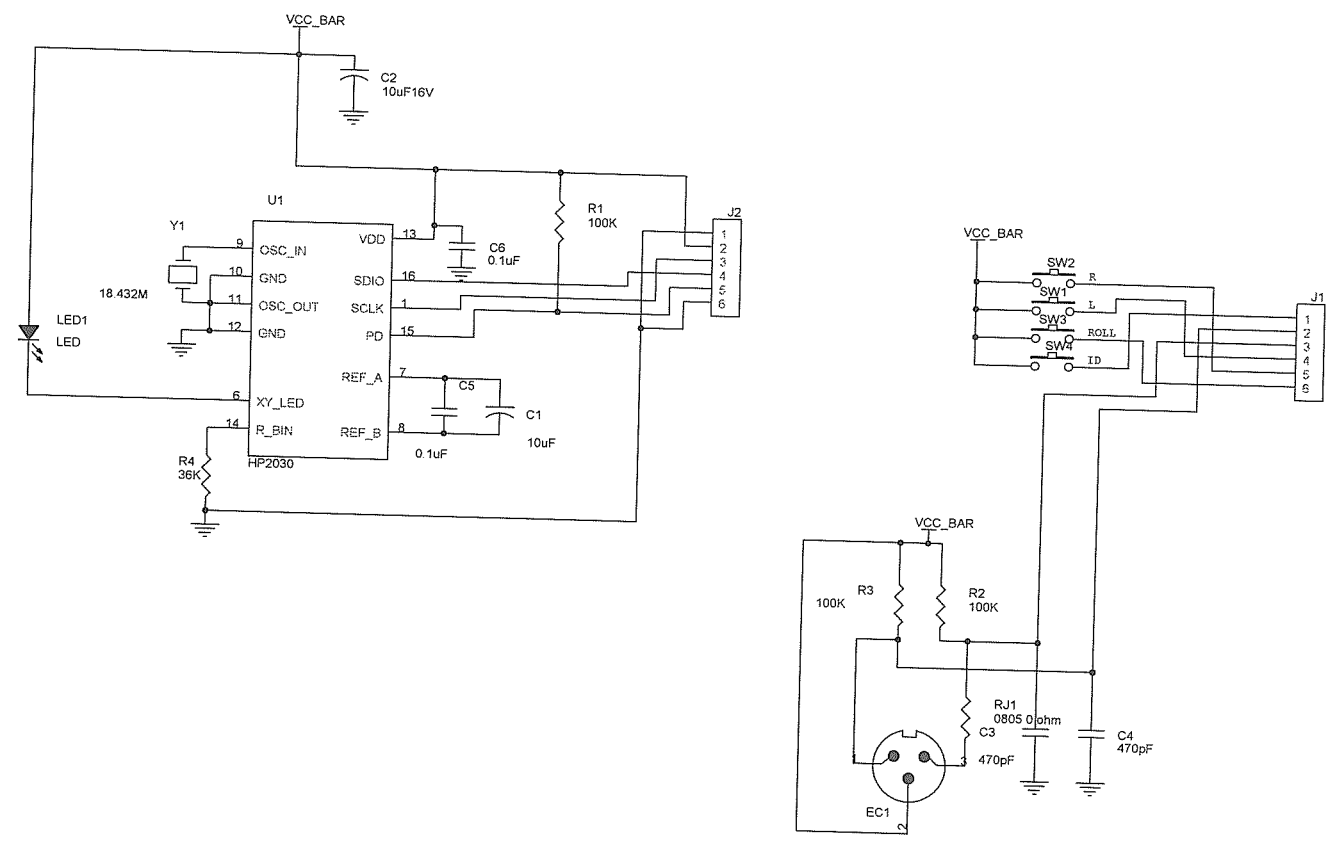
$$2.251 + 105 = 623.4nH$$



PCB		KB-3007/T		
Title	APR:	CHK:	DWG:	
Size B	Document Number	CKT:21010003100 PCB:10230017100		Rev 2
Date:	Thursday, April 22, 2004	Sheet	1 of 1	

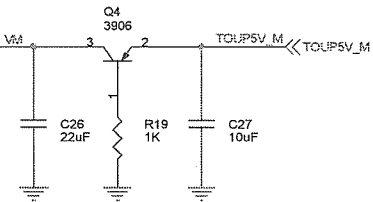
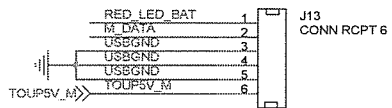
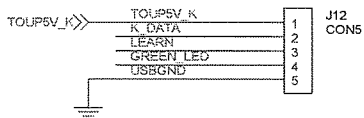
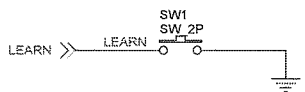
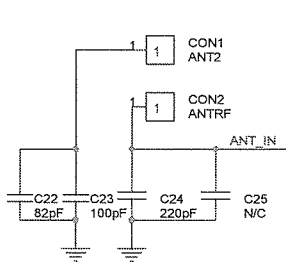
Date: 2003-11-21
 Rev: 1
 New

Date: 2004-2-17
 Rev: 2
 JP1 PIN2
 GND--->VCC_BAR
 ADD RJ1



PCB		Title APR:		CHK:		DWG:	
Size B	Document Number	CKT:21010002101 PCB:10230016100				Rev	2
Date	Wednesday, June 09, 2004		Sheet	1	of	1	

KB-3007/T

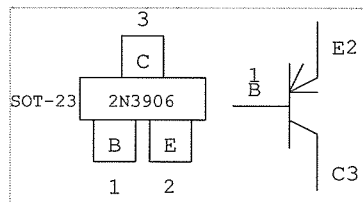
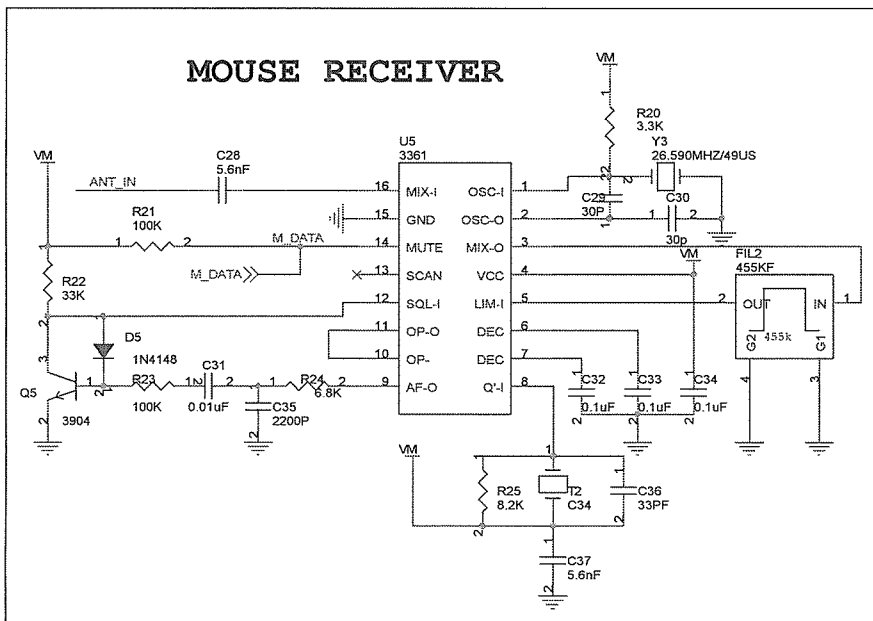


RECEIVER UPBOARD

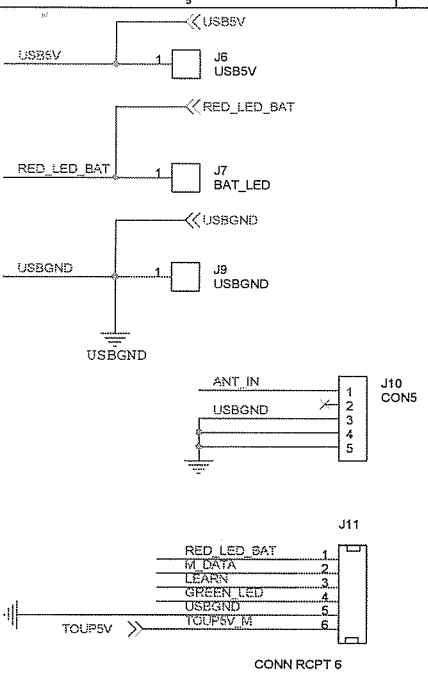
FUNCTION INCLUDE

1. Antenna to Keyboard RX
2. Mouse Receiver
3. LED Light *2
4. Learn Bottom *1

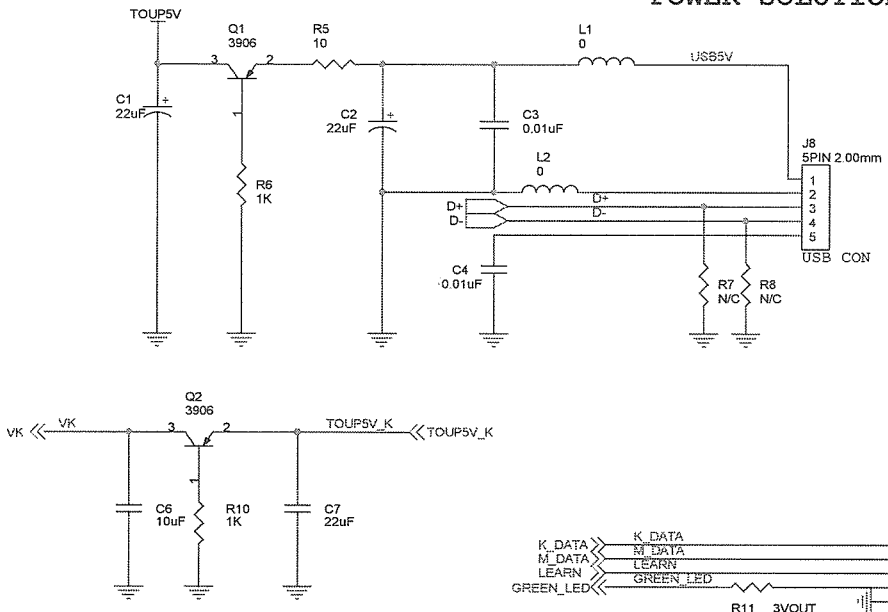
Date:2003.12.19
 Rev:1
 NEW
 Date:2004.02.17
 Rev:2
 Change Machinery for 美玉
 Modify RF and Power
 Circuit
 Date:2004.03.8
 Rev:3
 Change Machinery for 東和
 MosArt
 Date:2004.03.15
 Rev:4
 Modify MCU Cryprass
 Date:2004.04.15
 Rev:5
 DC:30401035
 Modify RF Circuit
 Move KB RF to Top Board
 Modify J12,13 Pin
 Assignment
 Del R13,20
 Date:2004.04.20
 Rev:5-2
 Modify RF Circuit
 Change 180 度
 Date:2004.05.13
 Rev:6
 DCO:30401227
 Modify Ver:3 Circuit
 Del R4,Q6,R26,R27
 Date:2004.06.7
 Rev:7
 Modify Punch and limit



DRW:	CHK:	ARP:
Title		
KB-03007/R		
Size B	Document Number	Rev 5
	CKT:21010004100 PCB:10230043100 Rev:6	
Date:	Monday, June 14, 2004	Sheet 3 of 4

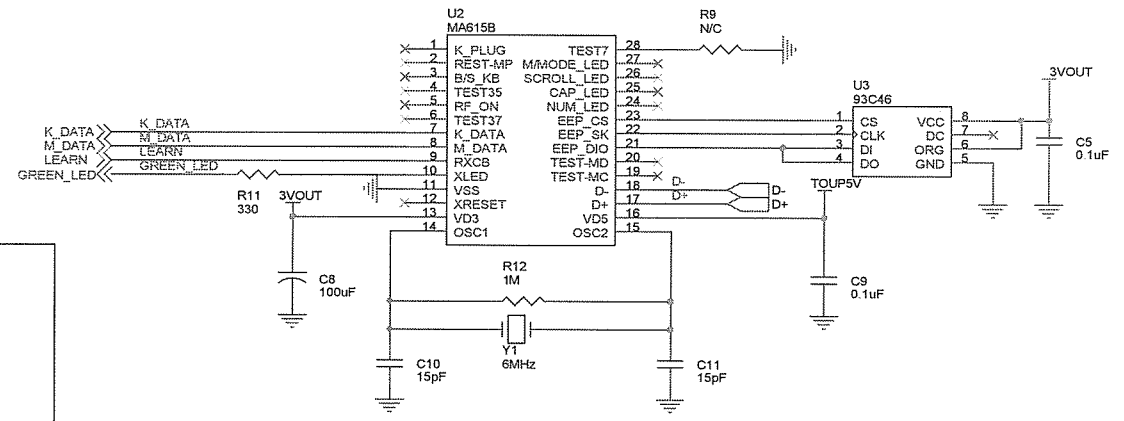


POWER SOLUTION

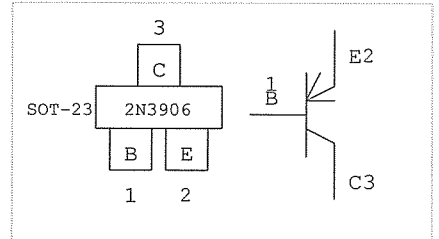
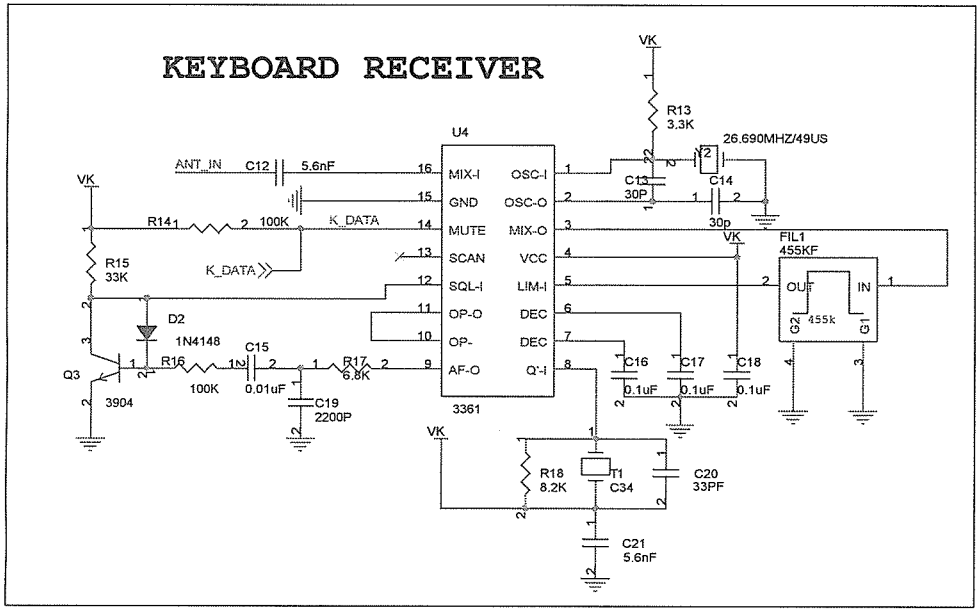


RECEIVER DOWNBOARD

- FUNCTION INCLUDE
- 1.USB Power IN and D+D-
 - 2.MCU
 - 3.Keyboard Receiver



KEYBOARD RECEIVER



DRW:	CHK:	ARP:
Title		
KB-3007/R		
Size B	Document Number	Rev 6
	CKT:21010004100 PCB:10230044100 Rev:7	
Date:	Wednesday, June 09, 2004	Sheet 2 of 4