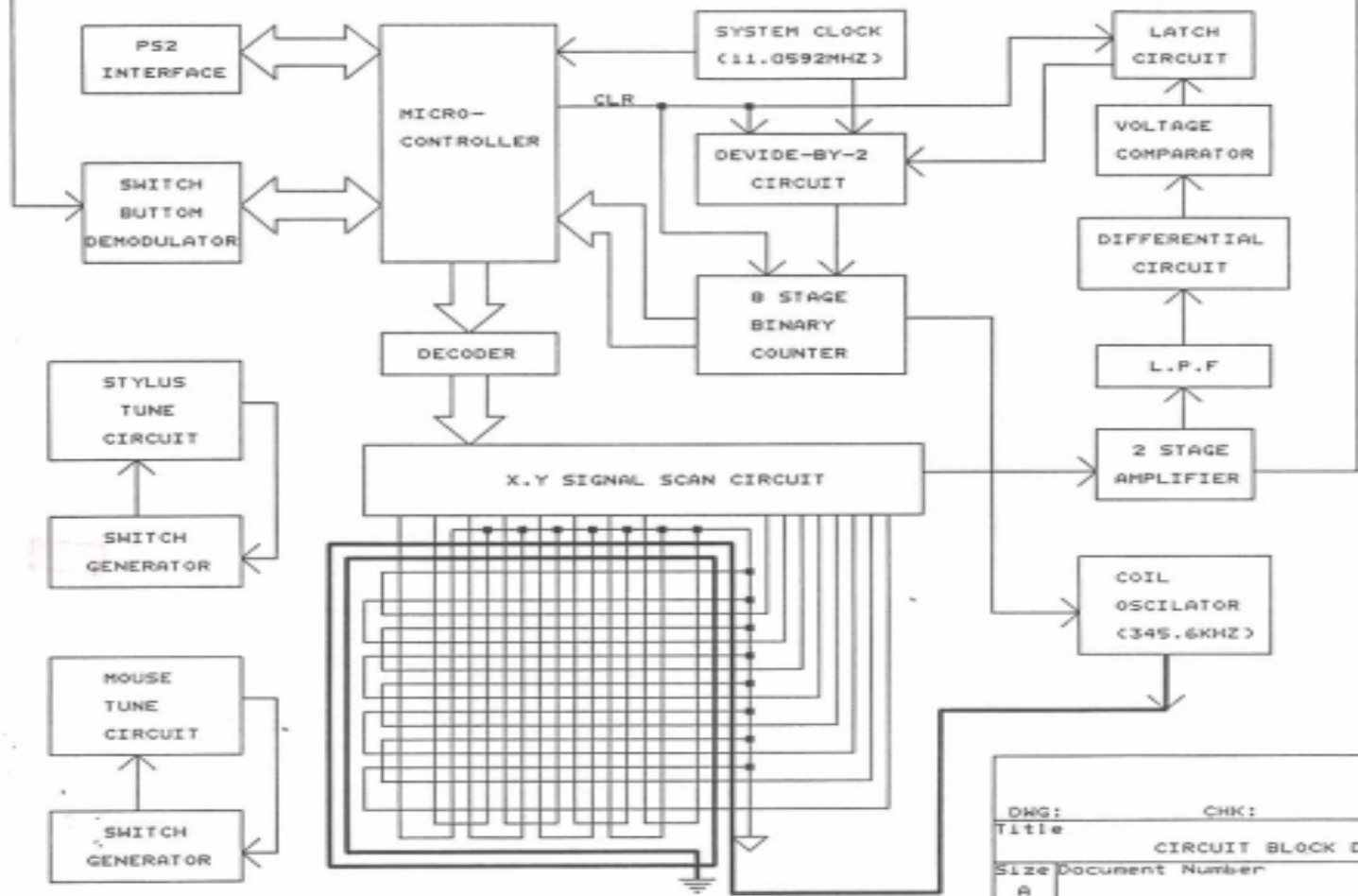


FCC ID:FSUGMPAD



DWG:	CHK:	APP:
Title		
CIRCUIT BLOCK DIAGRAM		
Size	Document Number	REV
A		1.0
Date:	April 21, 1999	Sheet 1 of 1