

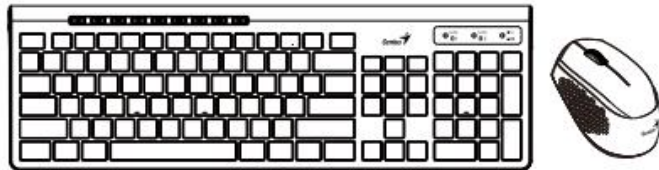
序號

一,

二,

SlimStar 8230

Wireless Bluetooth Combo

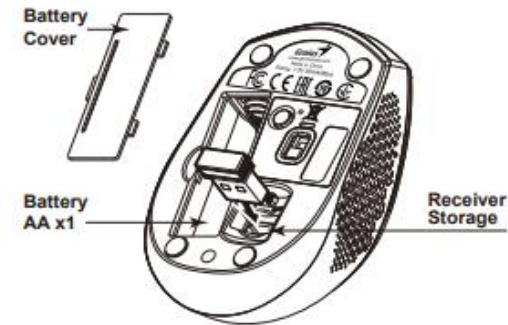


Multi-language Quick Guide

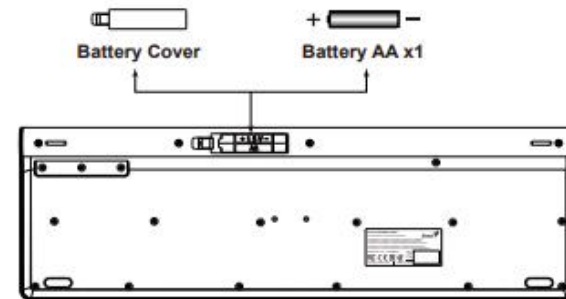
Copyright© KYE SYSTEMS CORP.

內容

- 1** Remove the battery cover from the mouse.
Install one AA battery into the mouse.

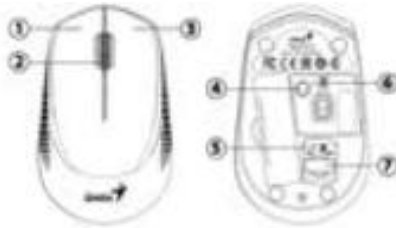


- 2** Remove the battery cover from the keyboard.
Install one AA batteries into the keyboard.



Mouse mode and Indicator LED:

1. 2.4G Mode (4): Red light (6) Flashes 3 times quickly.
2. BT1 Mode (4): Blue light (6) Flashes 3 times quickly. (Bluetooth pairing name: SlimStar 8230 / M1).
3. BT2 Mode (4): Red and blue lights (6) flash 3 times alternately. (Bluetooth pairing name: SlimStar 8230 / M2).
4. Low battery indicator (6): Red light flashes once a second.

**Mouse 3 keys and buttons:**

1. Left Button (1): Provides traditional mouse functions like click, double click and drag.
2. Magic-Roller (2): Press the [Magic-Roller] to surf the Internet and Windows documents.
3. Right Button (3): Provides traditional mouse click functions.
4. Power button (5): ON / OFF.
5. Mode switching button (4): 2.4G / BT1 / BT2.
6. USB receiver (7).

2.4GHz / BT1 / BT2 Mouse mode switching and pairing:

	Operation description
2.4GHz	Turn power button to ON position (5). The red indicator light (6) flashes slowly to enter 2.4G mode, and then long press Mode switching button (4) for 2 seconds into pairing mode, Insert 2.4G receiver (Dongle) (7) into USB interface of PC. After pairing successfully, the red LED goes out (6), and the bottom blue light lights up and mouse works. (Default mode: 2.4G mode (No need to pair))
Bluetooth 1 (BT1)	Press Mode switching button (4) one time, the blue indicator light (6) flashes slowly to enter BT1 mode. Under BT1 mode, Long press Mode switching button (4) for 2 seconds, the blue indicator light (6) flashes quickly to enter BT1 pairing mode [Bluetooth pairing name: SlimStar 8230 / M1]. The blue indicator light (6) goes out after pairing successfully, and the bottom blue light lights up and mouse works.
Bluetooth 2 (BT2)	Press Mode switching button (4) once again, the red and blue indicator lights (6) flashes simultaneously to enter BT2 mode. Under BT2 mode, Long press Mode switching button (4) for 2 seconds, and the red and blue indicator lights (6) flash quickly to enter BT2 pairing mode [Bluetooth pairing name: SlimStar 8230 / M2]. The red and blue indicator lights (6) go out after pairing successfully, and the bottom blue light lights up and mouse works.

FCC Warning Statement: Changes or modifications to this unit not expressly approved by the party responsible for compliance could void the user's authority to operate the equipment. This equipment has been tested and found to comply with the limits for a Class B digital device, pursuant to Part 15 of the FCC Rules. These limits are designed to provide reasonable protection against harmful interference in a residential installation. This equipment generates, uses and can radiate radio frequency energy and, if not installed and used in accordance with the instructions, may cause harmful interference to radio communications.

However, there is no guarantee that interference will not occur in a particular installation. If this equipment does cause harmful interference to radio or television reception, which can be determined by turning the equipment off and on, the user is encouraged to try to correct the interference by one or more of the following measures:

- Reorient or relocate the receiving antenna.
- Increase the separation between the equipment and receiver.
- Connect the equipment into an outlet on a circuit different from that to which the receiver is connected.
- Consult the dealer or an experienced radio/TV technician for help.

This device complies with Part 15 of the FCC Rules. Operation is subject to the following two conditions: (1) this device may not cause harmful interference, and (2) this device must accept any interference received, including interference that may cause undesired operation.

FCC Radiation Exposure Statement

The device has been evaluated to meet general RF exposure requirement. The device can be used in portable exposure condition without restriction.