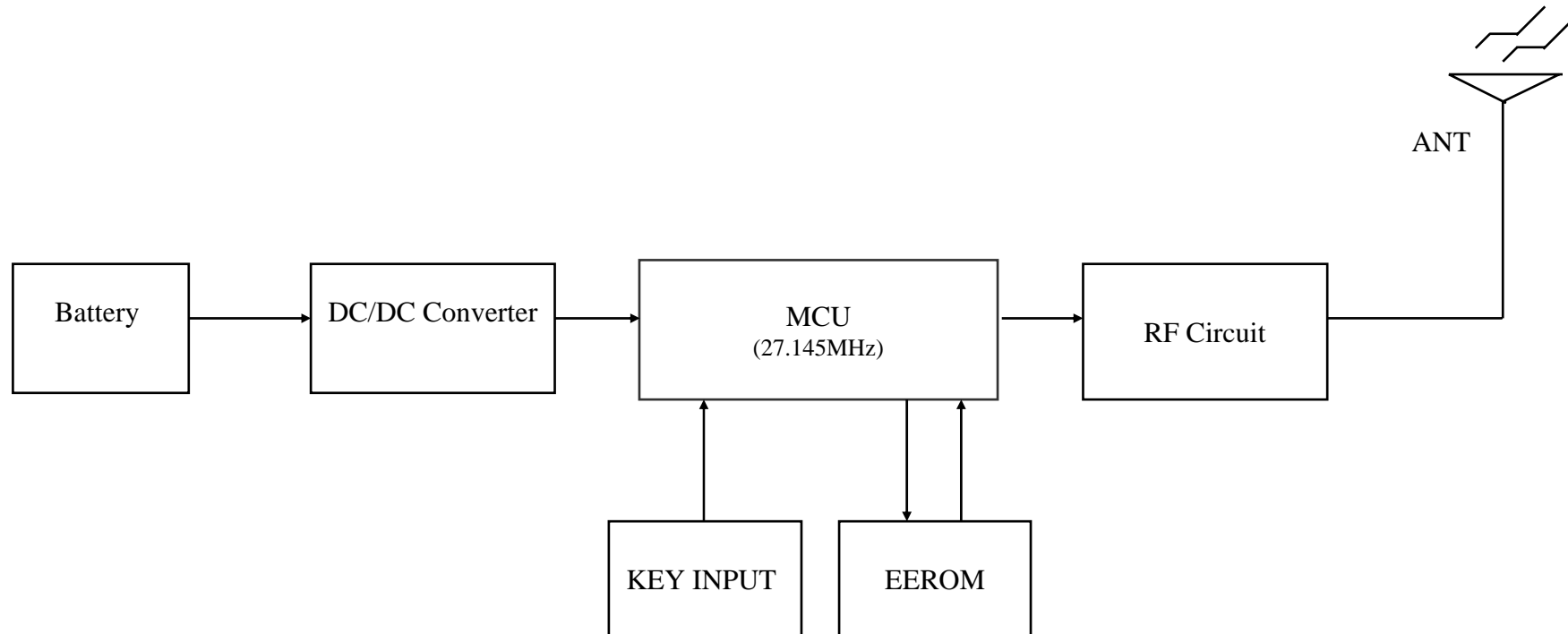


Block Diagram



GK-060013/K