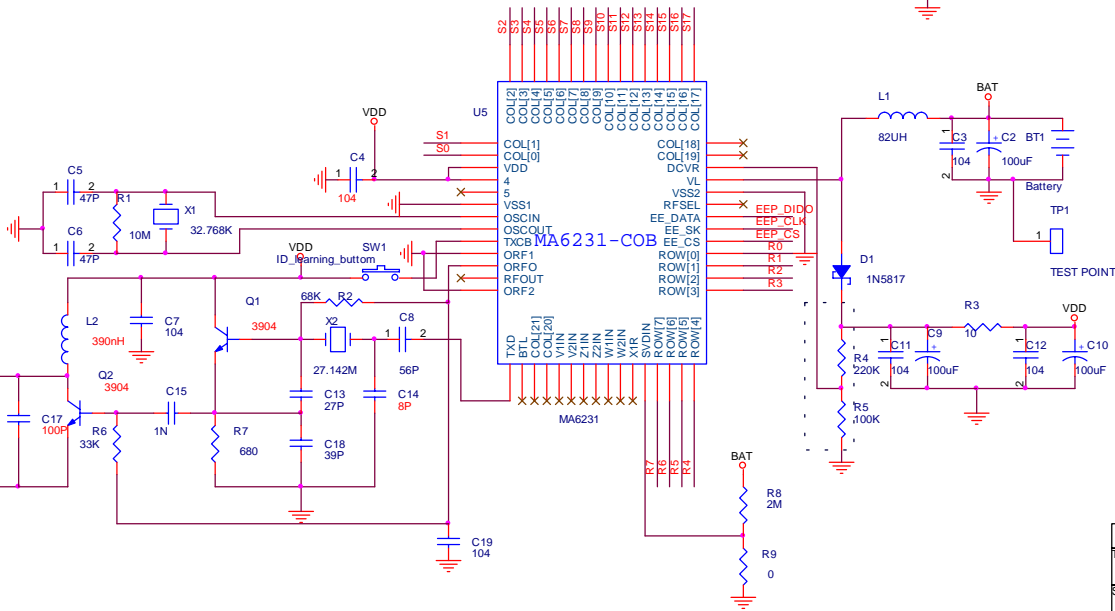


RF Circuit



Date:2004-11-4
Rev:1
New

Date:2004-2-14
Rev:2
單片結構圖改變

Title			GK-05002-K		
Size	Document Number				Rev
B	CKT:2031000001 PCB:10230056100				2
Date:	Wednesday, March 23, 2005	Sheet	1	of	1