



**Spectrum Research
& Testing Lab., Inc.**

No. 101-10, Ling 8,
Shan-Tong Li, Chung-Li
City, Taoyuan, Taiwan,
R.O.C.

TEST REPORT

Reference No.:A05020401
Report No.:FCCA04083101-02
Page:1 of 22
Date:Feb. 23, 2005

Product Name: Wireless Keyboard
Model No.: GK-04005/K
Applicant: KYE SYSTEMS CORP.
No. 492, Sec. 5, Chung Hsin Rd., San Chung,
Taipei Hsien, 241, Taiwan, R.O.C.
Date of Receipt: Feb. 07, 2005
Finished date of Test: Feb. 23, 2005
Applicable Standards: 47 CFR Part 15, Subpart C
ANSI C63.4:2003

We, **Spectrum Research & Testing Laboratory Inc.**, hereby certify that one sample of the above was tested in our laboratory with positive results according to the above-mentioned standards. The records in the report are an accurate account of the results. Details of the results are given in the subsequent pages of this report.

Checked By : Hugo Yeh , Date: 2/23/2005
(Hugo Yeh)

Approved By : James Ho Date: Feb. 23, 2005
(Johnson Ho, Director) *JA*



Table of Contents

1.	DOCUMENT POLICY AND TEST STATEMENT	3
1.1	DOCUMENT POLICY	3
1.2	TEST STATEMENT	3
1.3	EUT MODIFICATION.....	3
2.	DESCRIPTION OF EUT AND TEST MODE	4
2.1	GENERAL DESCRIPTION OF EUT	4
2.2	DESCRIPTION OF EUT INTERNAL DEVICE	4
2.3	DESCRIPTION OF TEST MODE	4
2.4	DESCRIPTION OF SUPPORT UNIT.....	5
3.	DESCRIPTION OF APPLIED STANDARDS	5
4.	CONDUCTED EMISSION TEST	6
4.1	CONDUCTED EMISSION LIMIT	6
4.2	TEST EQUIPMENT	6
4.3	TEST SETUP	7
4.4	TEST PROCEDURE	7
4.5	EUT OPERATING CONDITION	7
4.6	TEST RESULT	8
5.	RADIATED EMISSION TEST	10
5.1	RADIATED EMISSION LIMIT	10
5.2	TEST EQUIPMENT	11
5.3	TEST SET-UP	12
5.4	TEST PROCEDURE	13
5.5	EUT OPERATING CONDITION	13
5.6	RADIATED EMISSION TEST RESULT	14
6.	PHOTOS OF TESTING	17
7.	TERMS OF ABRIVATION	22



**Spectrum Research
& Testing Lab., Inc.**

No. 101-10, Ling 8,
Shan-Tong Li, Chung-Li
City, Taoyuan, Taiwan,
R.O.C.

TEST REPORT

Reference No.:A05020401
Report No.:FCCA04083101-02
Page:3 of 22
Date:Feb. 23, 2005

1. DOCUMENT POLICY AND TEST STATEMENT

1.1 DOCUMENT POLICY

- The report shall not be reproduced except in full, without the written approval of SRT Lab, Inc.
- The report must not be used by the applicant to claim that the product is endorsed by NVLAP, TÜV, NEMKO and SRT.
- The NVLAP logo applies only to the applicable standards specified in this report.

1.2 TEST STATEMENT

- The test results in the report apply only to the unit tested by SRT Lab.
- There was no deviation from the requirements of test standards during the test.
- AC power source, 120 Vac/60 Hz, was used during the test.

1.3 EUT MODIFICATION

- No modification in SRT Lab.



Spectrum Research & Testing Lab., Inc.

No. 101-10, Ling 8,
Shan-Tong Li, Chung-Li
City, Taoyuan, Taiwan,
R.O.C.

TEST REPORT

Reference No.:A05020401
Report No.:FCCA04083101-02
Page:4 of 22
Date:Feb. 23, 2005

2. DESCRIPTION OF EUT AND TEST MODE

2.1 GENERAL DESCRIPTION OF EUT

PRODUCT	Wireless Keyboard
MODEL NO.	GK-04005/K
POWER SUPPLY	3Vdc from battery (1.5V x 2)
FREQUENCY BAND	27MHz
CARRIER FREQUENCY	27.142 MHz
NUMBER OF CHANNEL	1
RATED RF OUTPUT POWER	62dB μ V@3m
DUTY CYCLE	50%
MODULATION TYPE	FSK
MODE OF OPERATION	Simplex
ANTENNA TYPE	Loop antenna
CHANNEL BANDWIDTH	6KHz

NOTE :

For more detailed features, please refer to the manufacturer' s specification or User' s Manual.

2.2 DESCRIPTION OF EUT INTERNAL DEVICE

DEVICE	BRAND / MAKER	MODEL #	FCC ID/DOC	REMARK
N/A				

2.3 DESCRIPTION OF TEST MODE

The EUT was tested for emission measurement under the following situations:

Mode	
1	Link
2	Charger



**Spectrum Research
& Testing Lab., Inc.**

No. 101-10, Ling 8,
Shan-Tong Li, Chung-Li
City, Taoyuan, Taiwan,
R.O.C.

TEST REPORT

Reference No.:A05020401
Report No.:FCCA04083101-02
Page:5 of 22
Date:Feb. 23, 2005

2.4 DESCRIPTION OF SUPPORT UNIT

The EUT was configured by the requirement of ANSI C63.4:2003 and CISRP22:2003. All interface ports were connected to the appropriate support units via specific cables. The support units and cables are listed below.

NO	DEVICE	BRAND	MODEL #	FCC ID/DOC	CABLE
1	NOTEBOOK	COMPAQ	B200	DOC	1.5m unshielded power cord 1.2m shielded data cable
2	MODEM	ACEEX	DM-1414	DOC	1.5m unshielded power cord 1.5m shielded data cable
3	PRINTER	EPSON	STYLUS C20SX	DOC	1.8m unshielded power cord 1.5m shielded data cable
4	MOUSE	KYE	GM-04010A/T	FSUGMZH1	N/A
5	RECEIVER	KYE	GK-03008/R	DOC	N/A

NOTE : For the actual test configuration, please refer to the photos of testing.

3. DESCRIPTION OF APPLIED STANDARDS

The EUT is a kind of wireless product and to be connected with a PC system for normal use. According to the specifications provided by the applicant, it must comply with the requirements of the following standards:

47 CFR Part 15, Subpart C
ANSI C63.4:2003

All tests have been performed and recorded as per the above standards.



Spectrum Research & Testing Lab., Inc.
 No. 101-10, Ling 8,
 Shan-Tong Li, Chung-Li
 City, Taoyuan, Taiwan,
 R.O.C.

TEST REPORT

Reference No.:A05020401
 Report No.:FCCA04083101-02
 Page:6 of 22
 Date:Feb. 23, 2005

4. CONDUCTED EMISSION TEST

4.1 CONDUCTED EMISSION LIMIT

FREQUENCY (MHz)	Class A (dBmV)		Class B (dBmV)	
	Quasi-peak	Average	Quasi-peak	Average
0.15 - 0.5	79	66	66 - 56	56 - 46
0.5 - 5.0	73	60	56	46
5.0 - 30.0	73	60	60	50

NOTE:

1. The lower limit shall apply at the transition frequencies.
2. The limit decreases in line with the logarithm of the frequency in the range of 0.15 to 0.50 MHz.

4.2 TEST EQUIPMENT

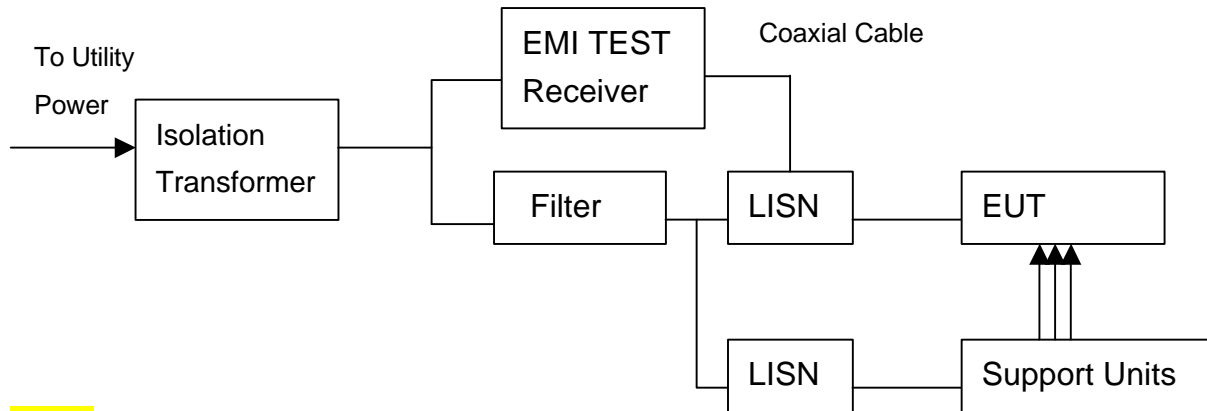
The following test equipment was used for the test:

EQUIPMENT/ FACILITIES	SPECIFICATIONS	MANUFACTURER	MODEL#/ SERIAL#	DUE DATE OF CAL. & CAL. CENTER
EMI TEST RECEIVER	9 kHz TO 2.75 GHz	ROHDE & SCHWARZ	ESHS30/ 826003/008	AUG. 2005 ETC
LISN (for EUT)	50 μH, 50 ohm	FCC	FCC-LISN-50-25-2 / 01017	NOV. 2005 ETC
LISN (for Peripheral)	50μH, 50 ohm	FCC	FCC-LISN-50-25-2 / 01018	NOV. 2005 ETC
50 ohm TERMINATOR	50 ohm	HP	11593A/ 2	MAR. 2005 ETC
COAXIAL CABLE	3m	SUNCITY	J400/ 3M	JUL. 2005 SRT
ISOLATION TRANSFORMER	N/A	APC	AFC-11015/ F102040016	N/A
FILTER	2 LINE, 30A	FIL.COIL	FC-943/ 771	N/A
GROUND PLANE	2.3M (H) x 2.4M (W)	SRT	N/A	N/A
GROUND PLANE	2.4M (H) x 2.4M (W)	SRT	N/A	N/A

NOTE: The calibration interval of the above test equipment is one year and the calibrations are traceable to NML/ROC and NIST/USA.



4.3 TEST SETUP



NOTE:

1. The EUT was put on a wooden table with 0.8m heights above ground plane, and 0.4m away from reference ground plane (> 2mx2m).
2. For the actual test configuration, please refer to the photos of testing.
3. The serial no. of the LISN connected to EUT is 01017.
4. The serial no. of the LISN connected to support units is 01018.

4.4 TEST PROCEDURE

The EUT was tested according to the requirement of ANSI C63.4:2003 and CISRP22:2003. The frequency spectrum from 0.15 MHz to 30 MHz was investigated. The LISN used was 50 ohm/50 μ H as specified. All readings were quasi-peak and average values with 10 kHz resolution bandwidth of the test receiver. The EUT system was operated in all typical methods by users. Both lines of the power mains of EUT were measured and the cables connected to EUT and support units were moved to find the maximum emission levels for each frequency.

First, find the margin or higher points at least 6 points by software, then use manual to find the maximum data. The procedure is referred on the test procedure of SRT LAB.

4.5 EUT OPERATING CONDITION

1. Set the EUT under transmission condition continuously at specific channel frequency.
2. Under Windows XP run "EMI TEST" program and PC sent "H" pattern or accessed the following peripherals directly or via EUT:
 - Color Monitor
 - RS232
 - Keyboard(EUT)
 - Printer
 - FDD
 - HDD



4.6 TEST RESULT

Temperature:	<u>25°C</u>	Humidity:	<u>53 %RH</u>
Ferquency Range:	<u>0.15 – 30 MHz</u>	Tested Mode:	<u>Link</u>
Receiver Detector:	<u>Q.P. and AV.</u>	Tested By:	<u>Hugo Yeh</u>
		Tested Date:	<u>Feb. 21, 2005</u>

Power Line Measured : Line

Freq. (MHz)	Correct. Factor (dB)	Reading Value (dBmV)		Emission Level (dBmV)		Limit (dBmV)		Margin (dB)	
		Q.P.	AV.	Q.P.	AV.	Q.P.	AV.	Q.P.	AV.
0.183	0.20	47.7	37.1	47.9	37.3	64.3	54.3	-16.4	-17.0
2.744	0.20	35.5	34.5	35.7	34.7	56.0	46.0	-20.3	-11.3
2.645	0.20	34.1	31.0	34.3	31.2	56.0	46.0	-21.7	-14.8
5.294	0.20	35.7	32.5	35.9	32.7	60.0	50.0	-24.1	-17.3
5.406	0.20	33.9	30.2	34.1	30.4	60.0	50.0	-25.9	-19.6
15.195	0.20	23.5	17.4	23.7	17.6	60.0	50.0	-36.3	-32.4

Power Line Measured : Neutral

Freq. (MHz)	Correct. Factor (dB)	Reading Value (dBmV)		Emission Level (dBmV)		Limit (dBmV)		Margin (dB)	
		Q.P.	AV.	Q.P.	AV.	Q.P.	AV.	Q.P.	AV.
0.159	0.20	49.2	38.6	49.4	38.8	65.5	55.5	-16.1	-16.7
2.200	0.20	37.3	36.7	37.5	36.9	56.0	46.0	-18.5	-9.1
2.368	0.20	35.6	30.5	35.8	30.7	56.0	46.0	-20.2	-15.3
5.020	0.20	35.1	31.4	35.3	31.6	60.0	50.0	-24.7	-18.4
5.244	0.20	32.5	27.4	32.7	27.6	60.0	50.0	-27.3	-22.4
23.405	0.20	22.1	18.0	22.3	18.2	60.0	50.0	-37.7	-31.8

NOTE :

1. Measurement uncertainty is +/-1.32dB
2. Emission level = Reading value + Correction factor
3. Correction Factor = Cable loss + Insertion loss of LISN
4. Margin value = Emission level - Limit
5. The emission of other frequencies were very low against the limit.
6. "-": The Quasi-peak reading value also meets average limit and measurement with the average detector is unnecessary.



Temperature:	<u>25°C</u>	Humidity:	<u>53 %RH</u>
Ferquency Range:	<u>0.15 – 30 MHz</u>	Tested Mode:	<u>Charger</u>
Receiver Detector:	<u>Q.P. and AV.</u>	Tested By:	<u>Hugo Yeh</u>
		Tested Date:	<u>Feb. 21, 2005</u>

Power Line Measured : Line

Freq. (MHz)	Correct. Factor (dB)	Reading Value (dBmV)		Emission Level (dBmV)		Limit (dBmV)		Margin (dB)	
		Q.P.	AV.	Q.P.	AV.	Q.P.	AV.	Q.P.	AV.
0.201	0.20	46.0	39.0	46.2	39.2	63.6	53.6	-17.4	-14.4
3.269	0.20	35.5	34.5	35.7	34.7	56.0	46.0	-20.3	-11.3
3.536	0.20	34.1	31.0	34.3	31.2	56.0	46.0	-21.7	-14.8
6.908	0.20	35.7	32.5	35.9	32.7	60.0	50.0	-24.1	-17.3
10.664	0.20	33.9	30.2	34.1	30.4	60.0	50.0	-25.9	-19.6
16.374	0.20	23.5	17.4	23.7	17.6	60.0	50.0	-36.3	-32.4

Power Line Measured : Neutral

Freq. (MHz)	Correct. Factor (dB)	Reading Value (dBmV)		Emission Level (dBmV)		Limit (dBmV)		Margin (dB)	
		Q.P.	AV.	Q.P.	AV.	Q.P.	AV.	Q.P.	AV.
0.171	0.20	46.1	38.6	46.3	38.8	64.9	54.9	-18.6	-16.1
3.259	0.20	37.3	36.7	37.5	36.9	56.0	46.0	-18.5	-9.1
3.586	0.20	35.6	30.5	35.8	30.7	56.0	46.0	-20.2	-15.3
6.360	0.20	35.1	31.4	35.3	31.6	60.0	50.0	-24.7	-18.4
8.035	0.20	32.5	27.4	32.7	27.6	60.0	50.0	-27.3	-22.4
16.271	0.20	22.1	18.0	22.3	18.2	60.0	50.0	-37.7	-31.8

NOTE :

1. Measurement uncertainty is +/-1.32dB
2. Emission level = Reading value + Correction factor
3. Correction Factor = Cable loss + Insertion loss of LISN
4. Margin value = Emission level - Limit
5. The emission of other frequencies were very low against the limit.
6. "-": The Quasi-peak reading value also meets average limit and measurement with the average detector is unnecessary.



5. RADIATED EMISSION TEST

5.1 RADIATED EMISSION LIMIT

FCC Part 15, Subpart C Section 15.227.

FREQUENCY (MHz)	DISTANCE (m)	FIELD STRENGTH (dBmV/m)	
		PEAK	AVERAGE
26.96 - 27.28	3	100.0	80.0

FCC Part 15, Subpart B Section 15.209.

FREQUENCY (MHz)	DISTANCE (m)	FIELD STRENGTH (dBmV/m)
30 - 88	3	40.0
88 - 216	3	43.5
216 - 960	3	46.0
Above 960	3	54.0

NOTE :

1. In the emission tables above , the tighter limit applies at the band edges.
2. Distance refers to the distance between measuring instrument, antenna, and the closest point of any part of the device or system.

CISPR 22:2003 limits of radiated emission measurement for frequency below 1000 MHz

FREQUENCY (MHz)	Class A (at 10m)	Class B (at 10m)
	dBµV/m	dBµV/m
30 – 230	40	30
230 - 1000	47	37

NOTE:

1. The lower limit shall apply at the transition frequencies.
2. Emission level (dBµV/m) = 20 log Emission level (µV/m).

**Spectrum Research & Testing Lab., Inc.**

No. 101-10, Ling 8,
Shan-Tong Li, Chung-Li
City, Taoyuan, Taiwan,
R.O.C.

TEST REPORT

Reference No.:A05020401
Report No.:FCCA04083101-02
Page:11 of 22
Date:Feb. 23, 2005

5.2 TEST EQUIPMENT

The following test equipment was used during the radiated emission test:

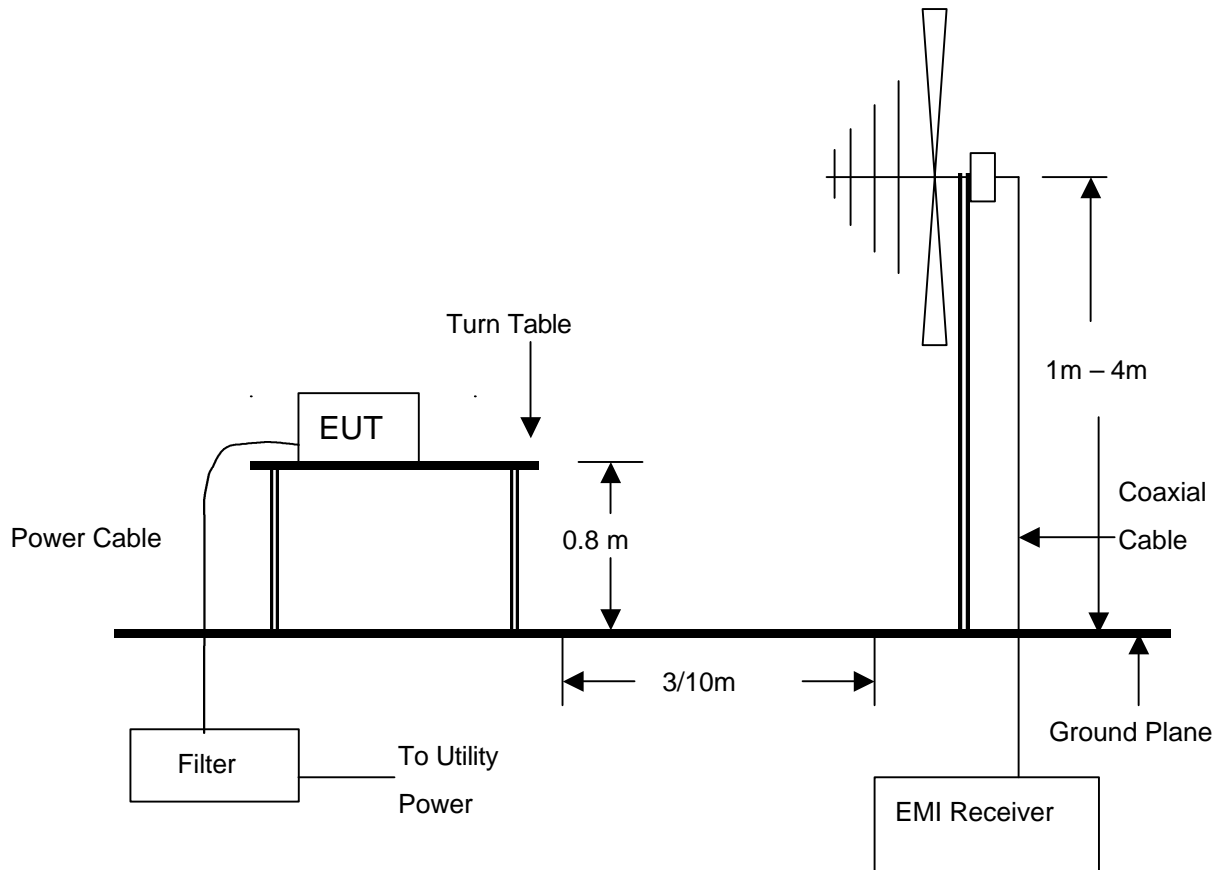
EQUIPMENT/ FACILITIES	SPECIFICATIONS	MANUFACTURER	MODEL#/ SERIAL#	DUE DATE OF CAL. & CAL. CENTER
EMI TEST RECEIVER	9 kHz TO 1 GHz	ROHDE & SCHWARZ	ESCS30/ 830245/012	OCT. 2005 ETC
BI-LOG ANTENNA	25 MHz TO 2 GHz	EMCO	3143/ 9509-1141	SEP. 2005 SRT
SPECTRUM ANALYZER	9 KHz TO 26.5 GHz	HP	8593E/ 3710A03220	MAY 2005 ETC
PRE-AMPLIFIER	1 GHz TO 26.5 GHz	HP	8449B/ 3008A01019	NOV. 2005 ETC
HORN ANTENNA	1 GHz TO 18 GHz	EMCO	3115/ 9602-4681	DEC. 2005 ETC
OATS	3 – 10 M MEASUREMENT	SRT	SRT-1	APR. 2005 SRT
COAXIAL CABLE	25M	SUNCITY	J400/ 25M	AUG. 2005 SRT
FILTER	2 LINE, 30A	FIL.COIL	FC-943/ 869	N/A
FREQUENCY CONVERTER	N/A	APC	AFC-2KBB/ F100030031	AUG. 2005 SRT

NOTE:

1. The calibration interval of the above test equipment is one year and the calibrations are traceable to NML/ROC and NIST/USA.
2. The Open Area Test Site (SRT-1) is registered by FCC with No. 90957 and VCCI with No. R-1081.
3. The Open Area Test Site (SRT-2) is registered by FCC with No. 98458 and VCCI with No. R-1168.



5.3 TEST SET-UP



NOTE :

1. The EUT system was put on a wooden table with 0.8m heights above a ground plane.
2. For the actual test configuration, please refer to the photos of testing.



5.4 TEST PROCEDURE

The EUT was tested according to the requirement of ANSI C63.4:2003 and CISPR 22:2003. The measurements were made at an open area test site with 10 meter measurement distance under 1 GHz and with 3m distance above 1GHz. The frequency spectrum measured started from 30 MHz. Under 1 GHz, all readings were quasi-peak values with 120 kHz resolution bandwidth of the test receiver. Above 1 GHz, the measurements were made at an open area test site with 3 meter measurement distance and all readings were peak or average values with 1 MHz resolution bandwidth of the test receiver. The EUT system was operated in all typical methods by users. The cables connected to EUT and support units were moved to find the maximum emission levels for each frequency.

First, find the margin or higher points at least 6 points by software, then use manual to find the maximum data. The procedure is referred on the test procedure of SRT LAB.

5.5 EUT OPERATING CONDITION

Same as section 4.5 of this report.



5.6 RADIATED EMISSION TEST RESULT

Temperature:	<u>26°C</u>	Humidity:	<u>50 %RH</u>
Ferquency Range:	<u>30 - 1000 MHz</u>	Measured Distance:	<u>3m</u>
Receiver Detector:	<u>PK & AV.</u>	Tested Mode:	<u>TX (Fundamental Frequency)</u>
Tested Date:	<u>Feb. 24, 2005</u>		
Tested By:	<u>Hugo Yeh</u>		

Fundamental frequency of transmitter

Frequency (MHz)	Antenna Polarization	Cable Loss (dB)	Antenna Factor (dB/m)	Reading Data (dBμV)	Emission Level (dBμV/m)	Limit (dBμV/m)	Margin (dB)
27.142(F)	H	7.00	7.00	38.6(PK)	52.6	100.0	-47.4
27.142(F)	V	7.00	7.00	39.4(PK)	53.4	100.0	-46.6
27.142(F)	H	7.00	7.00	28.2(AV)	42.2	80.0	-37.8
27.142(F)	V	7.00	7.00	29.3(AV)	43.3	80.0	-36.7

Receiver Detector: Q.P. Tested Mode: TX (Harmonic)

Frequency (MHz)	Antenna Polarization	Cable Loss (dB)	Antenna Factor (dB/m)	Reading Data (dBμV)	Emission Level (dBμV/m)	Limit (dBμV/m)	Margin (dB)
54.2540	H	0.99	4.98	16.5	22.5	40.0	-17.5
80.4300	H	1.26	7.30	17.4	26.0	40.0	-14.0
107.4000	H	1.56	7.46	20.4	29.4	43.5	-14.1
180.4000	H	1.47	9.30	13.6	24.4	43.5	-19.1
214.6400	H	2.03	9.99	18.4	30.4	43.5	-13.1
239.4600	H	2.10	11.04	15.5	28.6	46.0	-17.4
54.2540	V	0.99	4.98	17.1	23.1	40.0	-16.9
81.4000	V	1.26	7.28	17.5	26.0	40.0	-14.0
110.6400	V	1.66	7.40	16.8	25.9	43.5	-17.6
163.8200	V	1.81	8.37	17.4	27.6	43.5	-15.9
218.9200	V	2.16	10.16	20.2	32.5	46.0	-13.5
298.1600	V	2.40	14.00	12.1	28.5	46.0	-17.5

NOTE :

1. Measurement uncertainty is less than +/- 2dB
2. "**": Measurement does not apply for this frequency.
3. Emission Level = Reading Value + Ant. Factor + Cable Loss
4. The field strength of other emission frequencies were very low against the limit.
5. (F) : Fundamental frequency of transmitter.



Temperature:	25° C	Humidity:	55 %RH
Ferquency Range:	30 – 1000 MHz	Measured Distance:	3m
Receiver Detector:	Q.P.	Tested Mode:	RX-Link
Tested Date:	Feb. 22, 2005	Tested By:	Hugo Yeh

Antenna Polarization:Horizontal

Frequency (MHz)	Cable Loss (dB)	Antenna Factor (dB/m)	Reading Data (dBμV)	Emission Level (dBμV/m)	Limit (dBμV/m)	Margin (dB)	AZ(°)	EL(m)
56.0400	0.81	7.40	14.4	22.6	40.0	-17.4	10.40	1.40
135.3400	1.22	7.35	14.8	23.4	43.5	-20.1	17.40	1.65
162.4600	1.38	9.00	13.7	24.1	43.5	-19.4	187.40	1.00
189.5400	1.49	10.38	15.1	27.0	43.5	-16.5	199.40	1.00
216.2000	1.60	10.26	12.3	24.2	46.0	-21.8	345.30	1.20
231.7600	1.68	10.52	11.7	23.9	46.0	-22.1	319.20	1.00

Antenna Polarization:Vertical

Frequency (MHz)	Cable Loss (dB)	Antenna Factor (dB/m)	Reading Data (dBμV)	Emission Level (dBμV/m)	Limit (dBμV/m)	Margin (dB)	AZ(°)	EL(m)
49.2800	0.74	8.99	15.2	24.9	40.0	-15.1	114.60	1.00
81.4000	1.05	6.24	16.7	24.0	40.0	-16.0	127.50	1.13
167.6400	1.42	8.75	16.8	27.0	43.5	-16.5	190.50	1.00
286.6700	1.88	13.78	16.3	32.0	46.0	-14.0	329.60	1.40
416.3100	2.36	16.09	12.4	30.8	46.0	-15.2	188.50	1.00
654.3200	3.12	21.14	11.2	35.5	46.0	-10.5	165.40	1.00

NOTE :

1. Measurement uncertainty is +/-2dB.
2. "**": Measurement does not apply for this frequency.
3. Emission Level = Reading Value + Ant. Factor + Cable Loss.
4. The field strength of other emission frequencies were very low against the limit.



Temperature:	25° C	Humidity:	55 %RH
Ferquency Range:	30 – 1000 MHz	Measured Distance:	3m
Receiver Detector:	Q.P.	Tested Mode:	RX-Charger
Tested Date:	Feb. 22, 2005	Tested By:	Hugo Yeh

Antenna Polarization:Horizontal

Frequency (MHz)	Cable Loss (dB)	Antenna Factor (dB/m)	Reading Data (dBµV)	Emission Level (dBµV/m)	Limit (dBµV/m)	Margin (dB)	AZ(°)	EL(m)
56.0400	0.81	7.40	14.8	23.0	40.0	-17.0	10.40	1.40
135.3400	1.22	7.35	14.8	23.4	43.5	-20.1	17.40	1.65
162.4600	1.38	9.00	13.7	24.1	43.5	-19.4	187.40	1.00
189.5400	1.49	10.38	15.3	27.2	43.5	-16.3	199.40	1.00
216.2000	1.60	10.26	12.3	24.2	46.0	-21.8	345.30	1.20
231.7600	1.68	10.52	11.7	23.9	46.0	-22.1	319.20	1.00

Antenna Polarization:Vertical

Frequency (MHz)	Cable Loss (dB)	Antenna Factor (dB/m)	Reading Data (dBµV)	Emission Level (dBµV/m)	Limit (dBµV/m)	Margin (dB)	AZ(°)	EL(m)
49.2800	0.74	8.99	15.7	25.4	40.0	-14.6	114.60	1.00
81.4000	1.05	6.24	15.9	23.2	40.0	-16.8	127.50	1.13
167.6400	1.42	8.75	15.7	25.9	43.5	-17.6	190.50	1.00
286.6700	1.88	13.78	16.5	32.2	46.0	-13.8	329.60	1.40
416.3100	2.36	16.09	12.4	30.8	46.0	-15.2	188.50	1.00
654.3200	3.12	21.14	11.2	35.5	46.0	-10.5	165.40	1.00

NOTE :

1. Measurement uncertainty is +/-2dB.
2. "**": Measurement does not apply for this frequency.
3. Emission Level = Reading Value + Ant. Factor + Cable Loss.
4. The field strength of other emission frequencies were very low against the limit.



**Spectrum Research
& Testing Lab., Inc.**

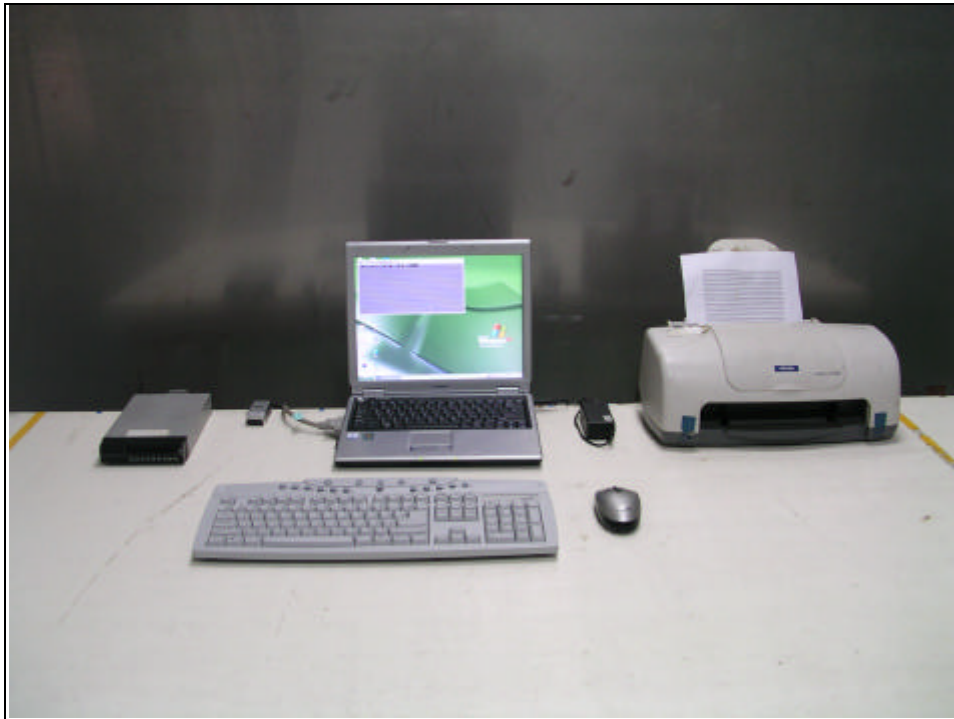
No. 101-10, Ling 8,
Shan-Tong Li, Chung-Li
City, Taoyuan, Taiwan,
R.O.C.

TEST REPORT

Reference No.:A05020401
Report No.:FCCA04083101-02
Page:17 of 22
Date:Feb. 23, 2005

6. PHOTOS OF TESTING

- Conducted test (Mode 1: Link)





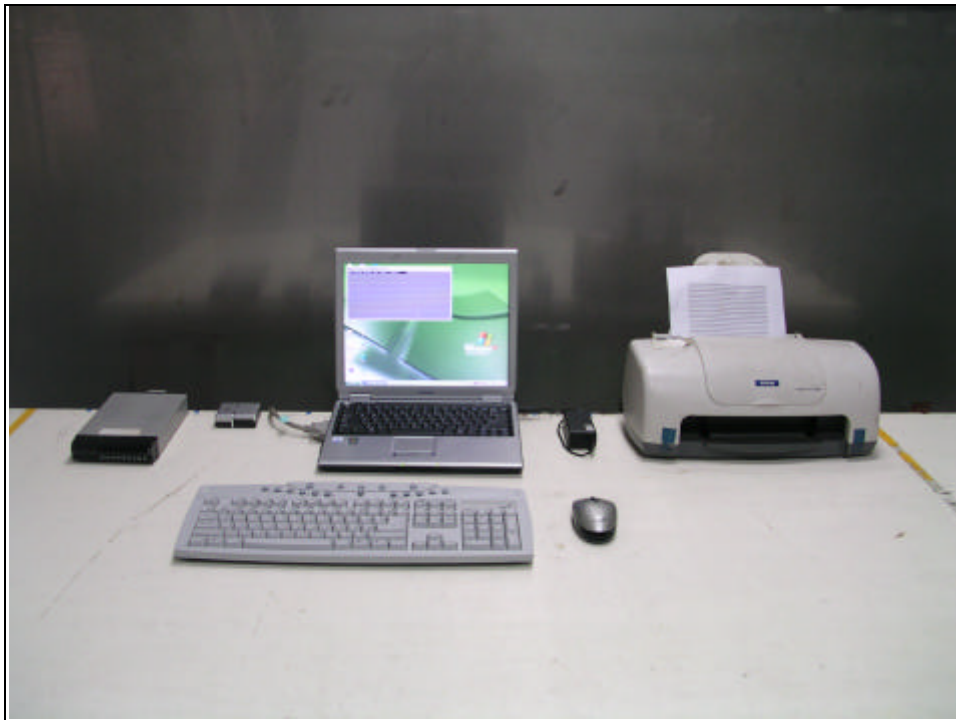
**Spectrum Research
& Testing Lab., Inc.**

No. 101-10, Ling 8,
Shan-Tong Li, Chung-Li
City, Taoyuan, Taiwan,
R.O.C.

TEST REPORT

Reference No.:A05020401
Report No.:FCCA04083101-02
Page:18 of 22
Date:Feb. 23, 2005

- Conducted test (Mode 2: Charger)





**Spectrum Research
& Testing Lab., Inc.**

No. 101-10, Ling 8,
Shan-Tong Li, Chung-Li
City, Taoyuan, Taiwan,
R.O.C.

TEST REPORT

Reference No.:A05020401
Report No.:FCCA04083101-02
Page:19 of 22
Date:Feb. 23, 2005

- Radiated test (TX)





**Spectrum Research
& Testing Lab., Inc.**

No. 101-10, Ling 8,
Shan-Tong Li, Chung-Li
City, Taoyuan, Taiwan,
R.O.C.

TEST REPORT

Reference No.:A05020401
Report No.:FCCA04083101-02
Page:20 of 22
Date:Feb. 23, 2005

- Radiated test (RX-Link)





**Spectrum Research
& Testing Lab., Inc.**

No. 101-10, Ling 8,
Shan-Tong Li, Chung-Li
City, Taoyuan, Taiwan,
R.O.C.

TEST REPORT

Reference No.:A05020401
Report No.:FCCA04083101-02
Page:21 of 22
Date:Feb. 23, 2005

- Radiated test (RX-Charger)





**Spectrum Research
& Testing Lab., Inc.**

No. 101-10, Ling 8,
Shan-Tong Li, Chung-Li
City, Taoyuan, Taiwan,
R.O.C.

TEST REPORT

Reference No.:A05020401
Report No.:FCCA04083101-02
Page:22 of 22
Date:Feb. 23, 2005

7. TERMS OF ABRIVATION

AV.	Average detection
AZ(°)	Turn table azimuth
Correct.	Correction
EL(m)	Antenna height (meter)
EUT	Equipment Under Test
Horiz.	Horizontal direction
LISN	Line Impedance Stabilization Network
NSA	Normalized Site Attenuation
Q.P.	Quasi-peak detection
SRT Lab	Spectrum Research & Testing Laboratory, Inc.
Vert.	Vertical direction