

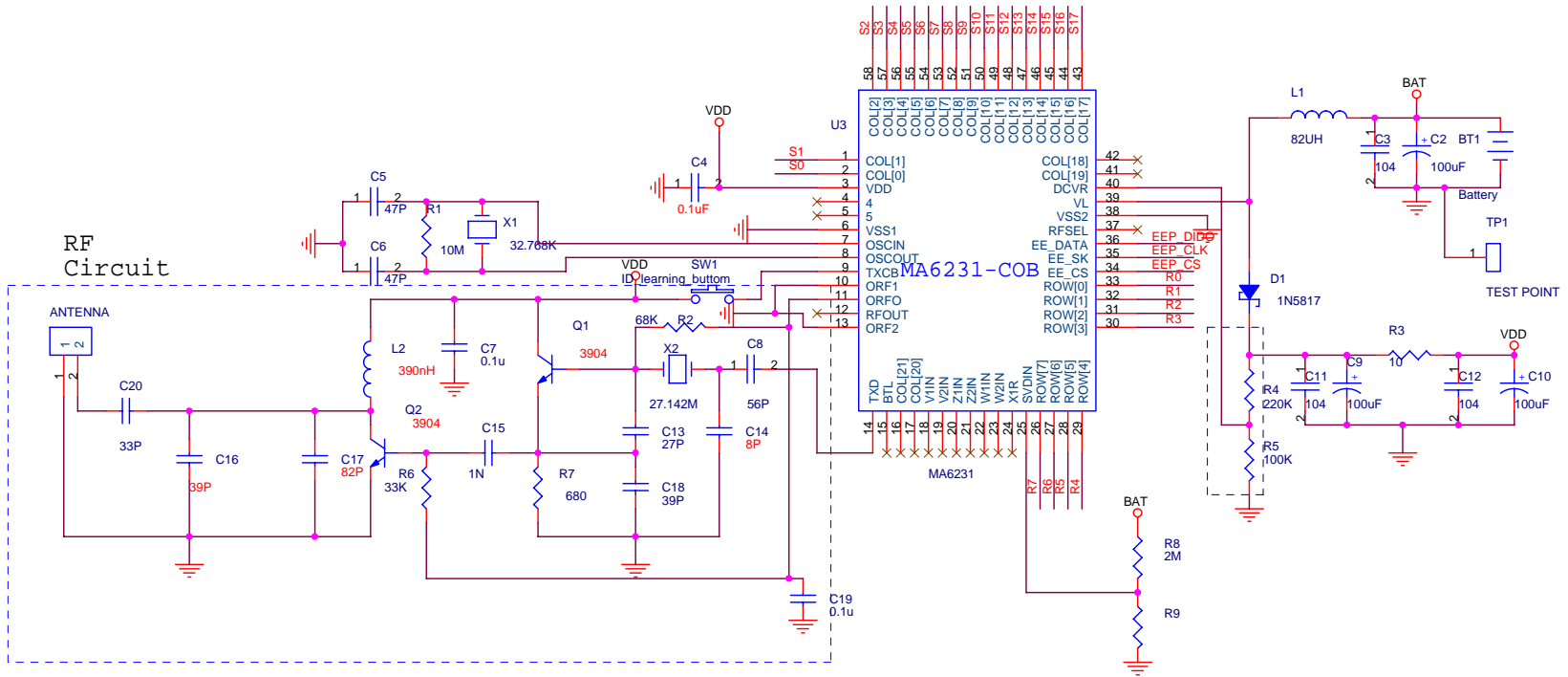
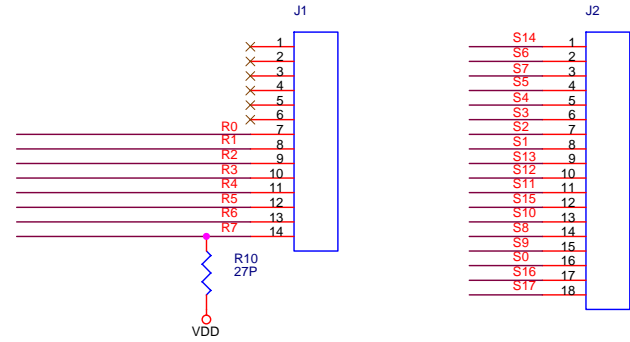
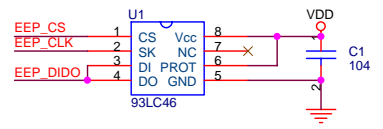
Date:2004-08-09
Rev:1
New

Date:2004-08-17
Rev:2
Add
MA6231 第四, 五腳接地
R12

Date:2004-09-09
Rev:3
MA6231 包裝QFP改COB

Date:2004-09-09
Rev:4
更換RF線路, 將外掛AP
移除, 移除Test Point, 電
池正負極各串一1206電容
RO-R7各接一電容到地

Date:2004-12-28
Rev:5
MA6231 包裝QFP改COB
依據第二版LAYOUT
只變動IC包裝



PCB	APR:	CHK:	DWG:
Title TwinTouch SE			
Size B	Document Number CKT:20310006101PCB:10230059100		Rev 5
Date:	Tuesday, December 28, 2004		Sheet 1 of 1