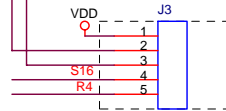
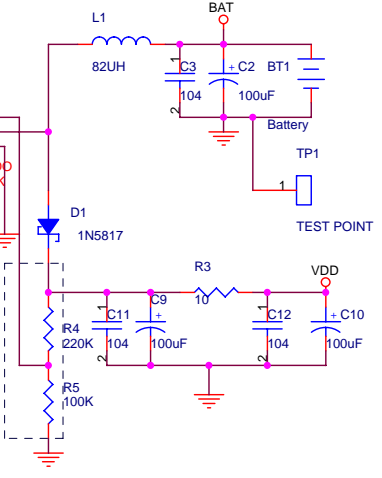


RF Circuit

ANTENNA



PCB	APR:	CHK:	DWG:
Title <Title> TwinTouch LuxeMate Scroll			
Size B	Document Number CRT:20310005101PCB:10230056100		Rev 3
Date:	Tuesday, December 28, 2004		Sheet 1 of 1