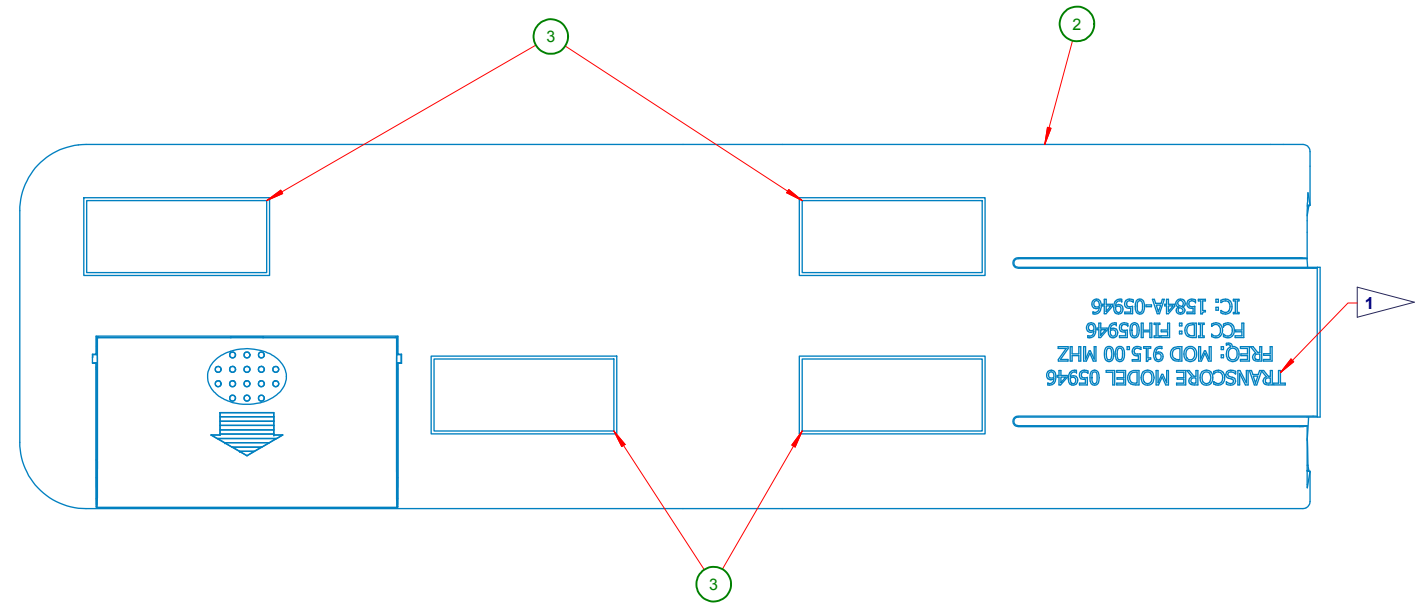
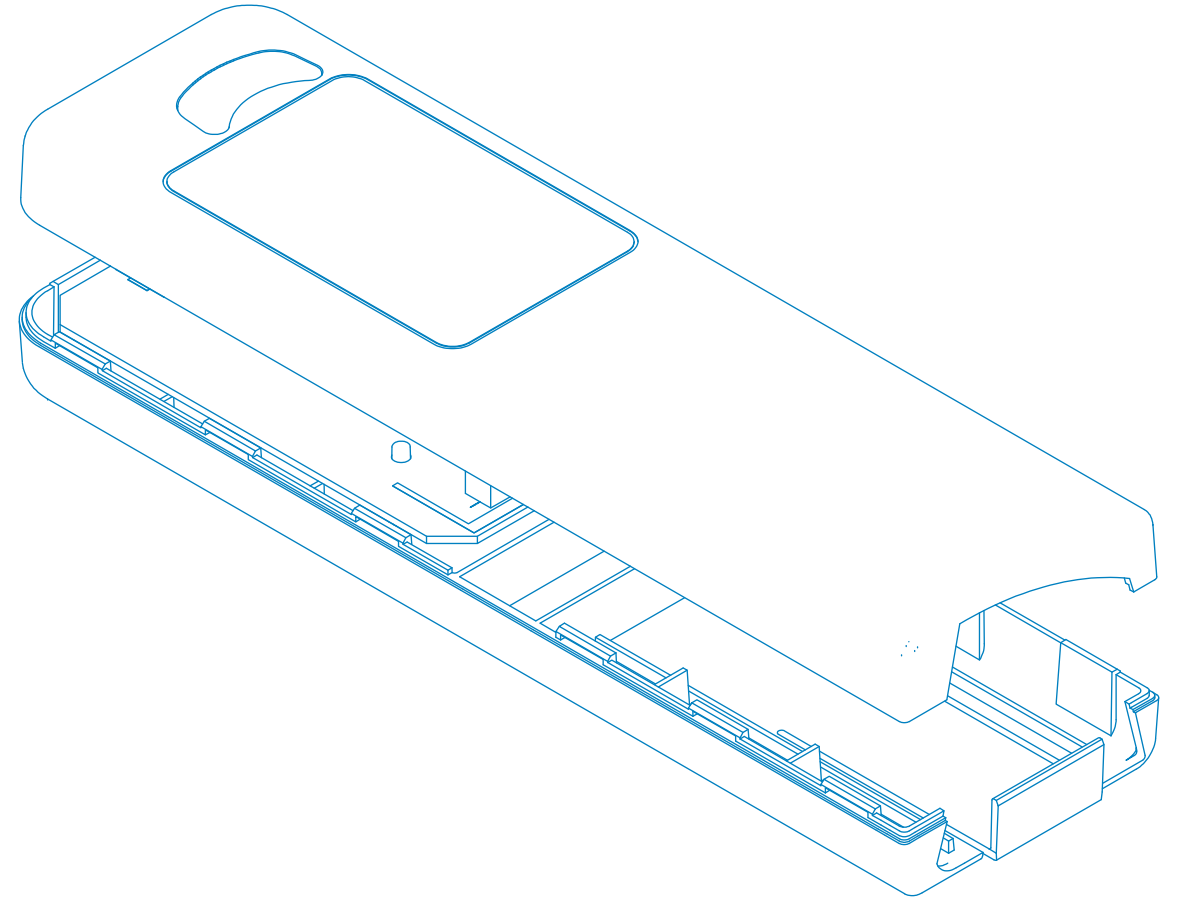
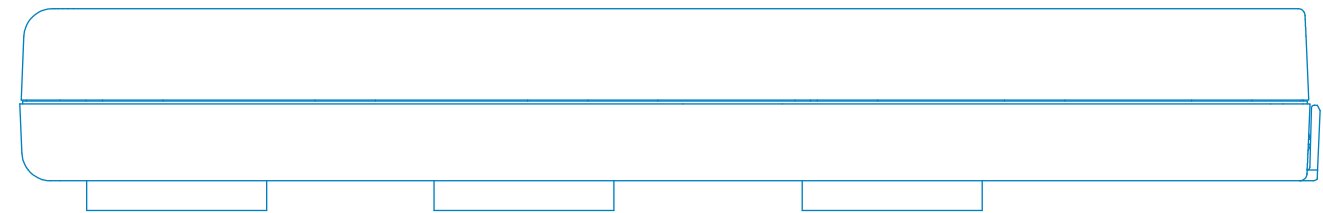
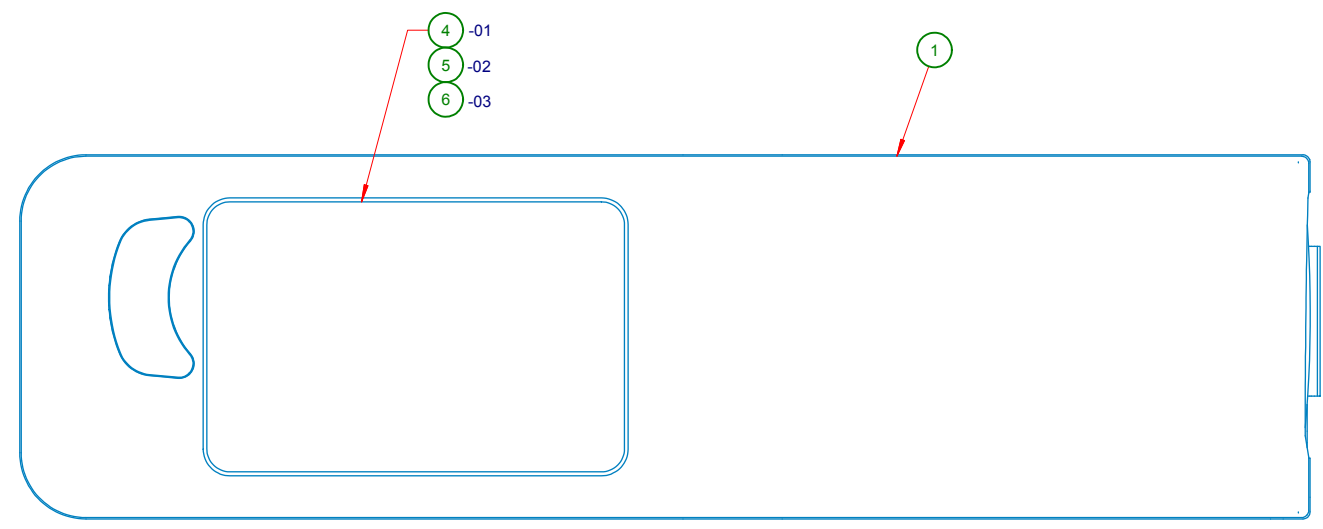


REV	ECO	DESCRIPTION	REVISIONS				
			E. DATE	I. DATE	DFTR.	CHKR.	ENGR.
X1	-	PROTOTYPE	-		JDC		



TRANSORE MODEL 05946
 FREQ: MOD 915.00 MHZ
 FCC ID: FH05946
 IC: 15844-05946

REV	ECO	DESCRIPTION	QTY	UNIT	PART NUMBER	DESCRIPTION	ITEM	
			7		67142-01	PACKAGING, POCKETPASS	7	
			6		03670-03	LABEL, GOANYWHERE PASS, PREPASS	6	
			5		03670-02	LABEL, GOANYWHERE PASS	5	
			4		03670-01	LABEL, GOANYWHERE PASS, BLANK	4	
			3		87031-02	FSTNR, DUAL LOCK, 1.25 X 0.50	3	
			2		05947-01	ASSY, RADOME, POCKETPASS DUAL POWER	2	
			1		03723-01	ASSY, BASE, POCKETPASS	1	
-05	-04	-03	-02	-01	U/M	PART NUMBER	DESCRIPTION	ITEM

TRANSORE
 Amtech Technology Center
 8600 Jefferson Street NE
 Albuquerque, NM 87113
 (505) 856-8000

DFTR	INITIAL	DATE	AMTECH PROPRIETARY INFORMATION	DRAWING TITLE
JDC		9/3/15	TOLERANCE UNLESS OTHERWISE SPECIFIED	ASSY, POCKETPASS DUAL POWER
ENGRG			.xxx±	DO NOT SCALE DRAWING
MFG			ANGLES (±)	SCALE SIZE DRAWING NO. SHEET
MATRL			SURFACE	N/A D 05946-00 1 OF 1
QA				

NOTES: UNLESS OTHERWISE SPECIFIED
 1 LASER ETCH AS SHOWN.
 2 PACKAGING NOT SHOWN AT THIS LEVEL. REFERENCE 67142-01 FOR PACKING DETAIL.